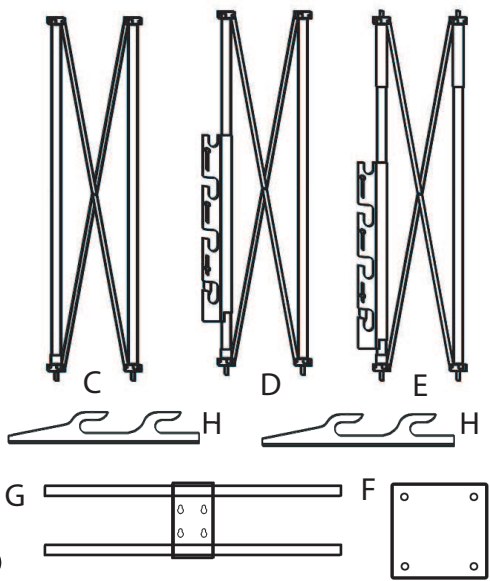
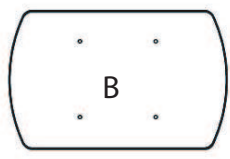
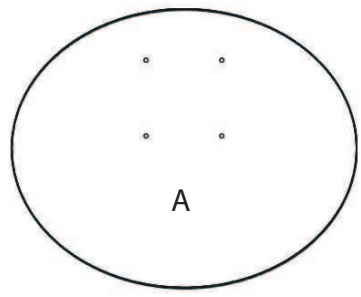


10 Foot Double Truss Assembly Instructions

Thank you for purchasing the 10 foot double truss display stand. This truss display stand will accommodate 2 LCD screens up to 50" diagonal in either a horizontal or vertical arrangement.

PART	ID	Qty
Base	A	1
Top	B	1
Truss, Bottom	C	1
Truss, Mid	D	1
Truss, Top	E	1
Mid-Plate	F	2
Rails	G	2
Bracket	H	4
O-Rings	I	8
Carry Bag (not shown)		2



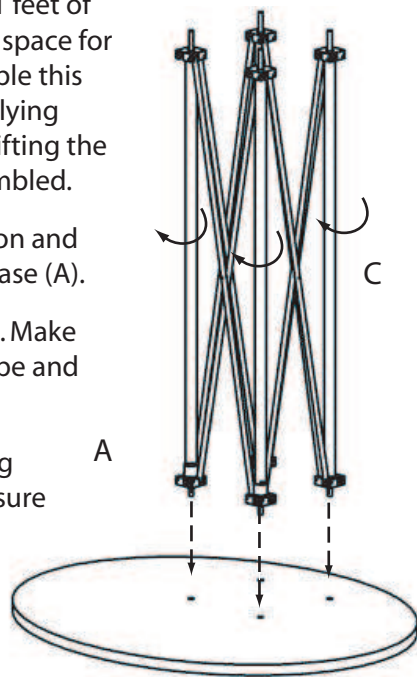
Step 1.

Due to the height of this stand please make sure there is at least 11 feet of vertical headroom and floor space for assembly. It is best to assemble this stand with the components lying horizontal on the floor and lifting the completed stand once assembled.

Open Bottom Truss (C) section and align screws with holes on Base (A).

Rotate truss tubes clockwise. Make one full turn on one truss tube and repeat on next tube.

Continue to alternate turning all truss tubes till tight to ensure Base does not bind.



Step 3.

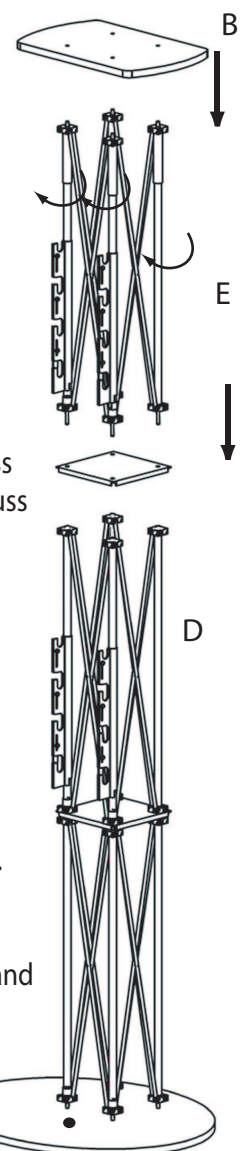
Top Truss (E) and Top (B) must be assembled at the same time. Align screws of Top Truss with holes of Top Truss (E) and screw Top (B) to Top Truss (E) (note thicker tube which turns screws on Top Truss (E)).

Place Mid-Plate (F) on Mid Truss and thread top truss to Mid Truss

Rotate top Truss tubes clockwise. Make sure threads catch at top and bottom. Complete one half turn on one truss tube and repeat on next tube.

Continue to alternate turning truss tubes to prevent binding. Tighten all four tubes.

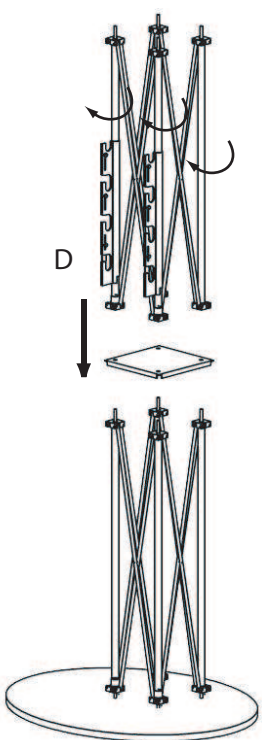
IMPORTANT! Brackets on Mid and Top Truss must be placed as shown, so LCD screen is over center of Base.



Step 2.

Place one Mid-Plate (F) over screws on Bottom Truss.

Take Mid Truss (D) section and align screws with holes on truss from Step 1. Fasten using same procedure in Step 1.

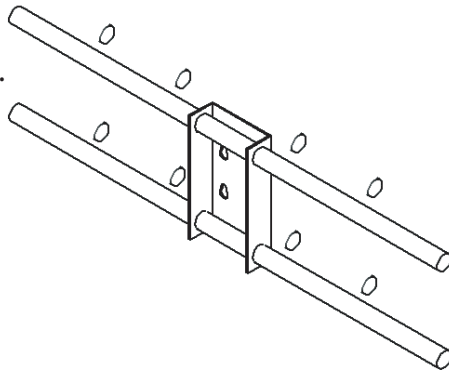


10 Foot Double Truss Assembly Instructions

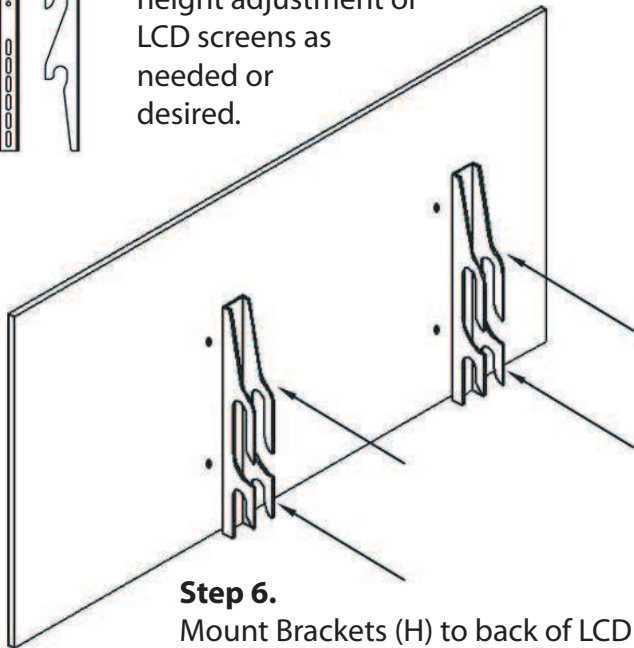
Thank you for purchasing the 10 foot truss display stand. This truss display stand will accommodate 2 LCD screens up to 50" diagonal.

Step 4.

Place O-Rings (I) on rails. Spread O-rings on each rail apart so they will not interfere with LCD mounting.



Note:
Holes in Brackets (H) allow height adjustment of LCD screens as needed or desired.



Step 6.

Mount Brackets (H) to back of LCD screen using hardware and hex wrench provided.

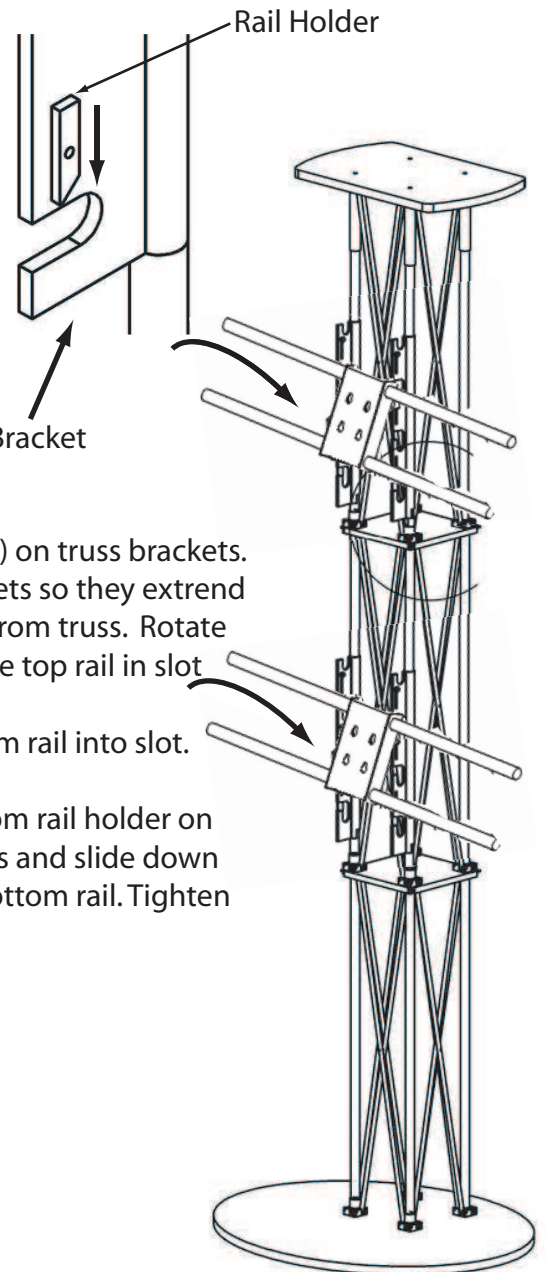
Hooks on brackets to point down as shown.

Step 7.

With two people, lift LCD screen and hook brackets on rails as shown.

Check to ensure LCD screen is centered on rails and all four hooks are engaged to rails. Tighten lock bolts to secure screen.

Slide O-rings up against each side of LCD brackets.

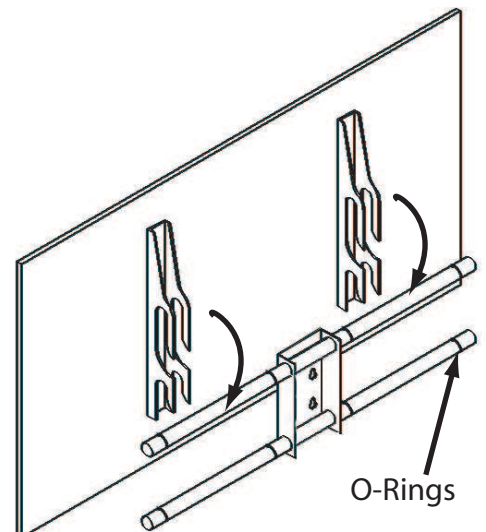


Step 5.

Place Rails (G) on truss brackets. Rotate brackets so they extend straight out from truss. Rotate rails and place top rail in slot.

Rotate bottom rail into slot.

Loosen bottom rail holder on both brackets and slide down to engage bottom rail. Tighten screw.



10 Foot Double Truss Assembly Instructions

Thank you for purchasing the 10 foot double truss display stand. This truss display stand will accommodate 2 LCD screens up to 50" diagonal in either a horizontal or vertical arrangement.

Suggested Mounting Options

