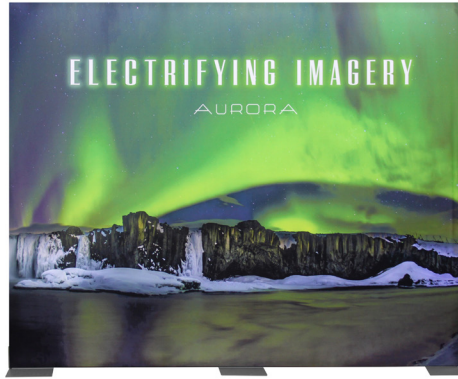
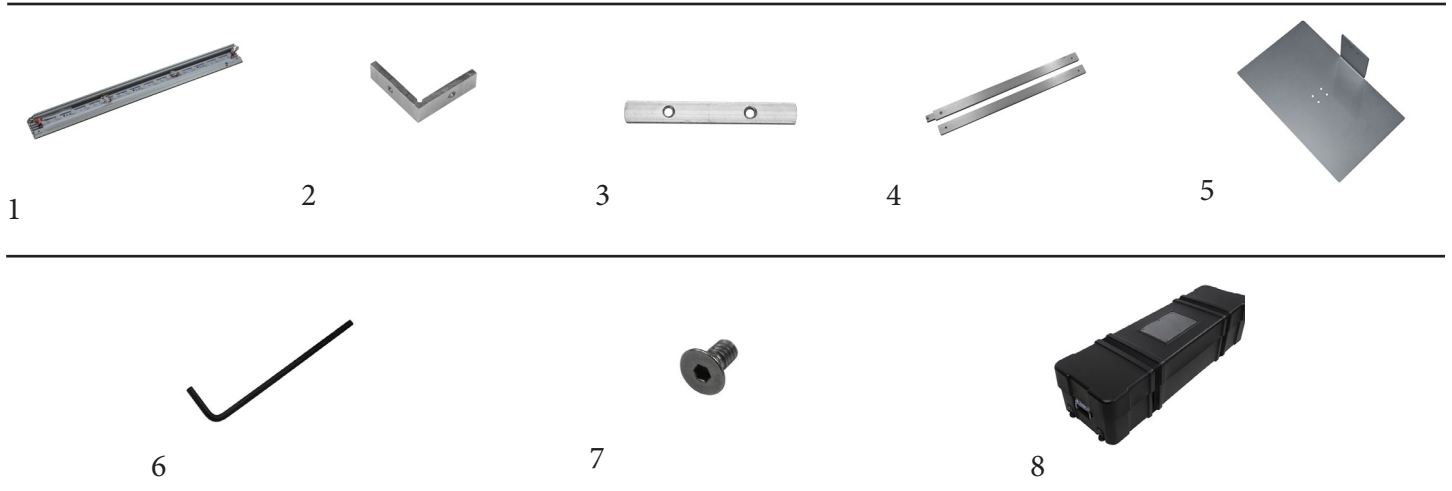


## 10' x 8' Aurora Light Box



### Parts

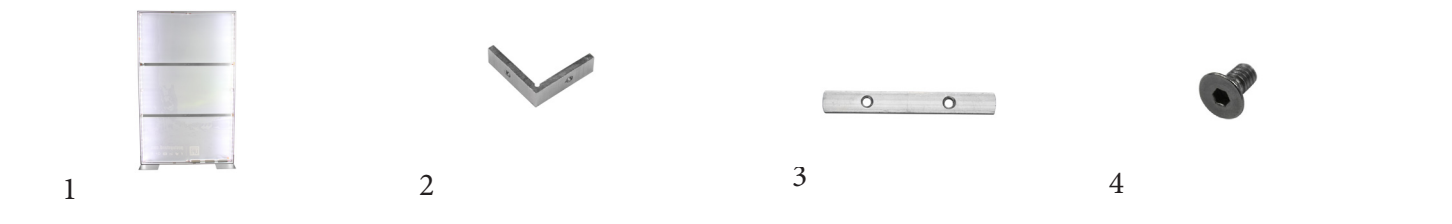


1 - (10 ) Extrusions  
2 - "L" brackets  
3 - Straight brackets

4 - (2) Vertical Support bar  
5 - (3) Feet  
7 - Allen wrench

8 - Screws  
9 - Shipping case

### Replacement Parts (Sold Individually)



1 - Full frame replacement  
(includes all hardware  
components listed)

2 - "L" brackets

3 - Straight brackets

4 - Screws

### Storage and care

Place all components of the Aurora Light Box into designated areas of case and store in a cool, dry place.