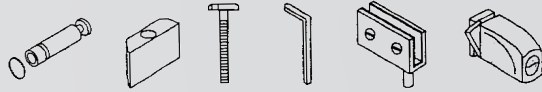


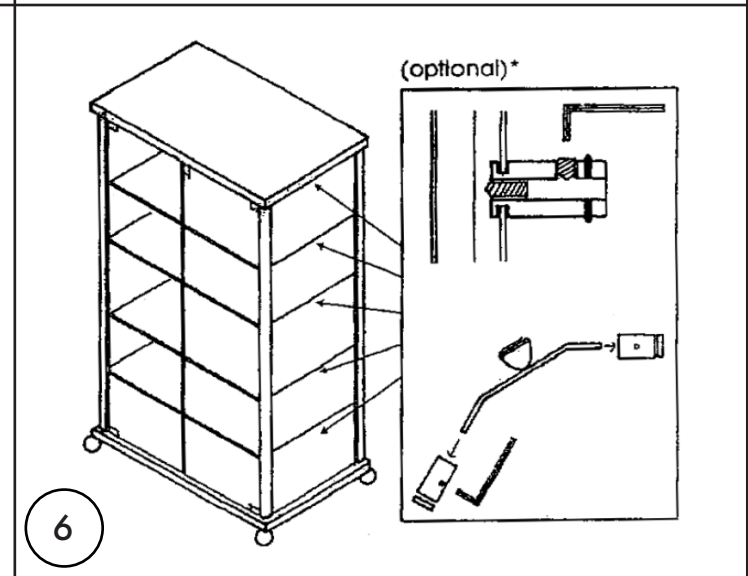
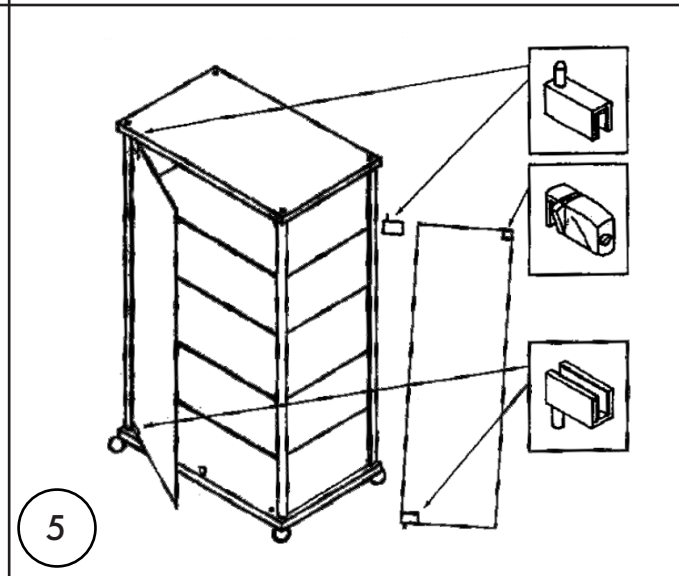
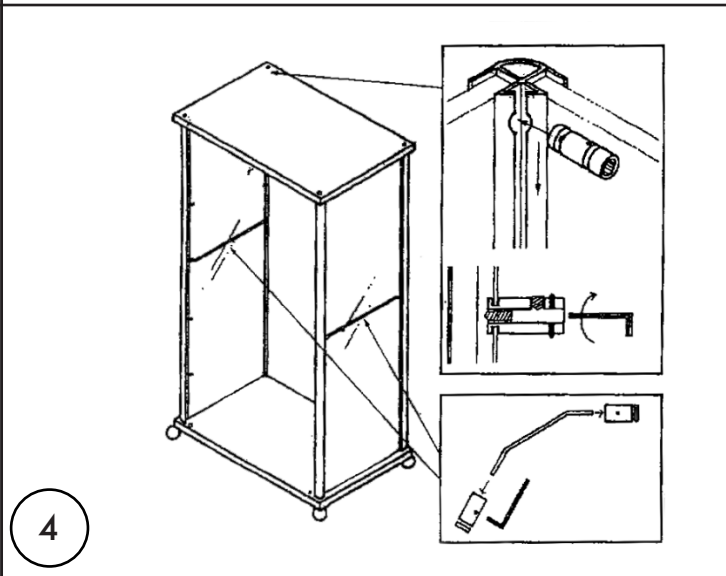
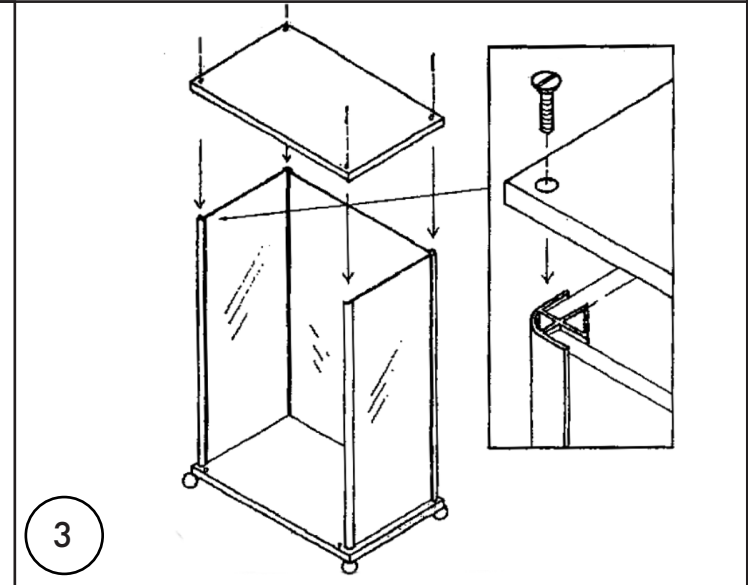
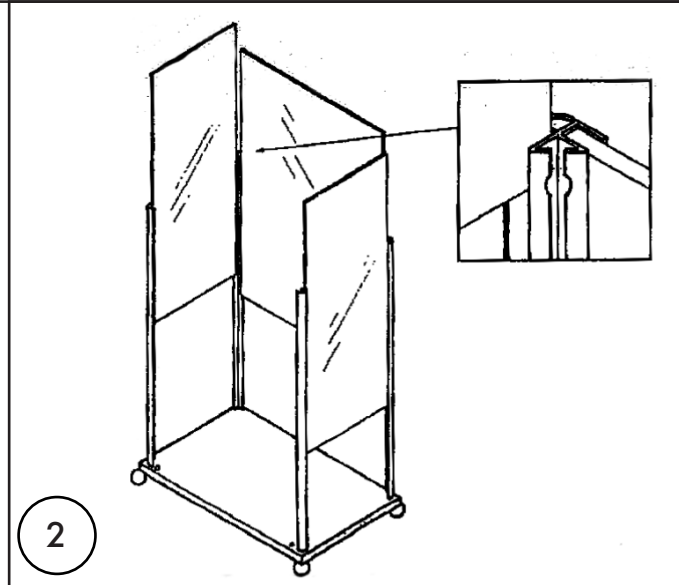
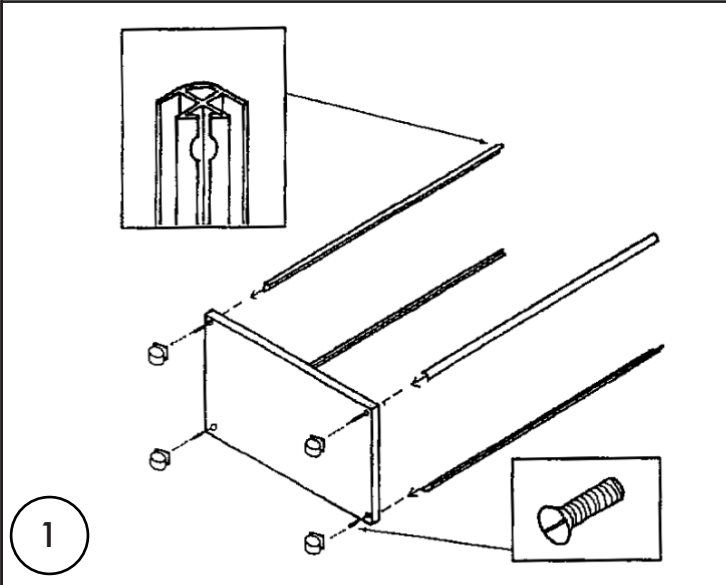
SKU: 193CPLEDBV (37" Glass Display Case with Concealed Base Wheels- Black)

SKU: 193CPLEDSL (37" Glass Display Case with Concealed Base Wheels- Silver)

INCLUDED HARDWARE:



**CAUTION: 2 PEOPLE REQUIRED FOR SAFE ASSEMBLY.  
HANDLE GLASS PANELS WITH CARE.**



If you have any questions regarding our products, please visit us at [www.displays2go.com](http://www.displays2go.com) or contact Displays2go customer service at 844-221-3388.