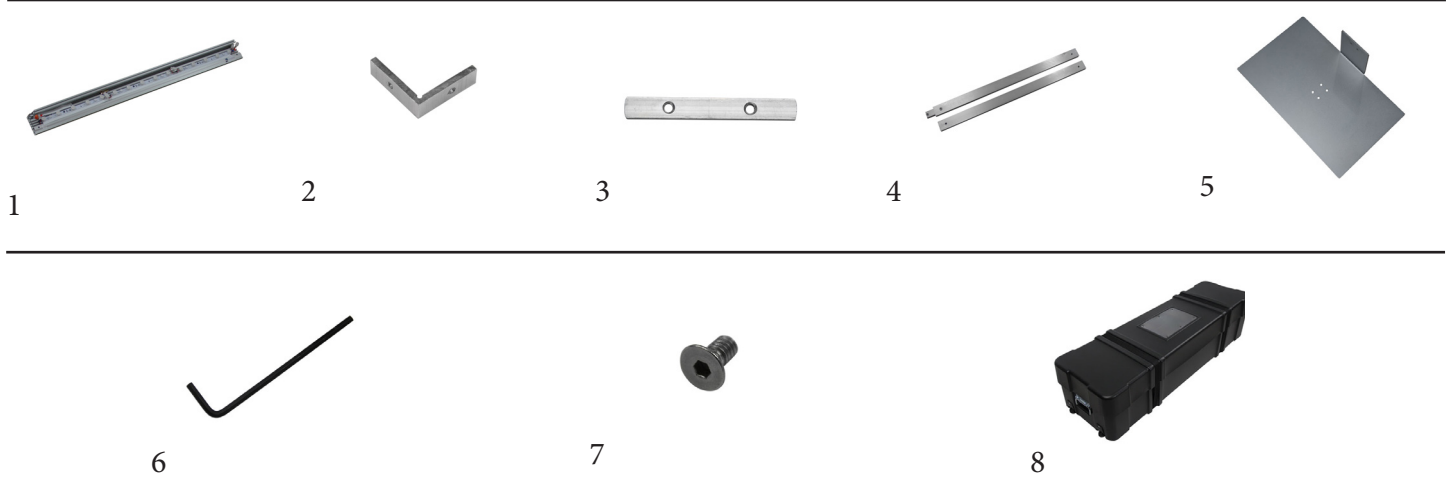


20' x 8' Aurora Light Box



Parts

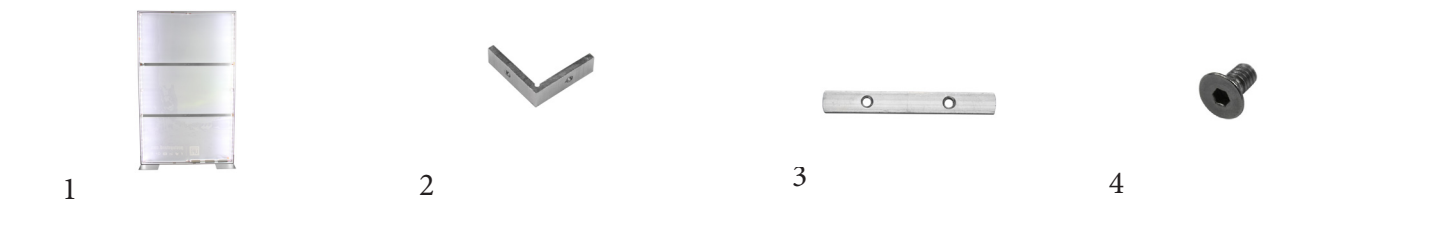


1 - (12) Extrusions
2 - "L" brackets
3 - Straight brackets

4 - (3) Vertical Support bar
5 - (4) Feet
7 - Allen wrench

8 - Screws
9 - Shipping case

Replacement Parts (Sold Individually)



1 - Full frame replacement
(includes all hardware
components listed)

2 - "L" brackets

3 - Straight brackets

4 - Screws

Storage and care

Place all components of the Aurora Light Box into designated areas of case and store in a cool, dry place.