
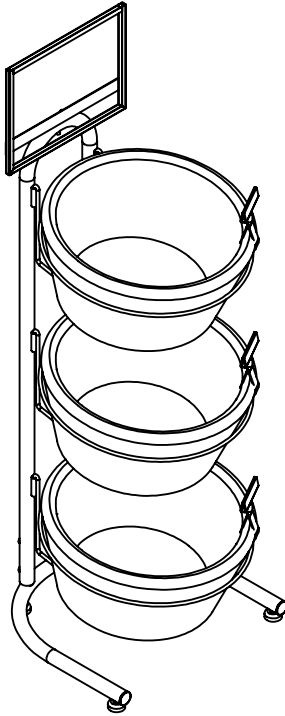
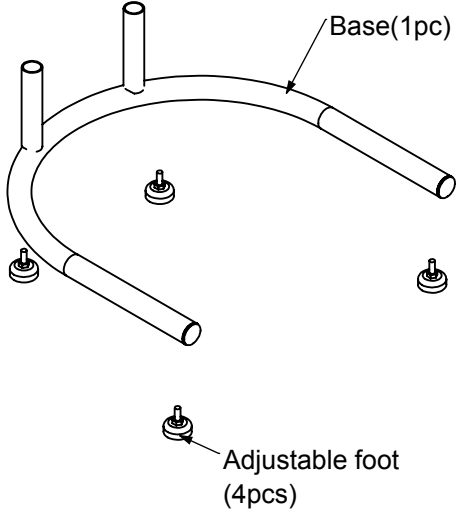
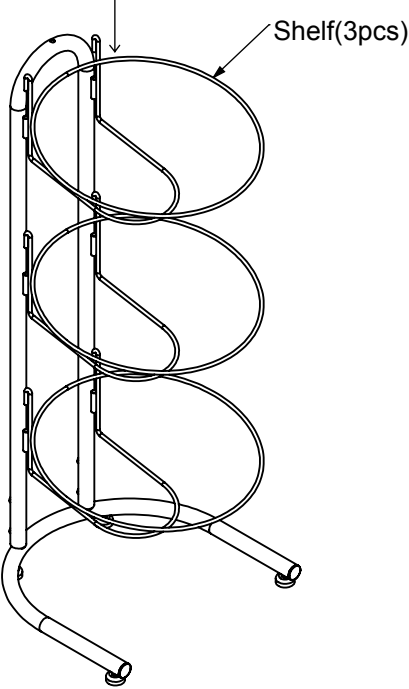
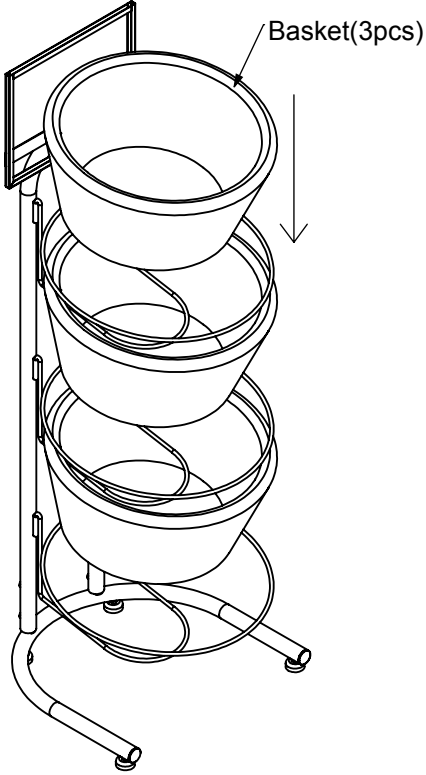
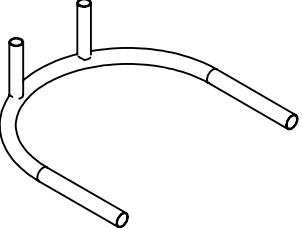
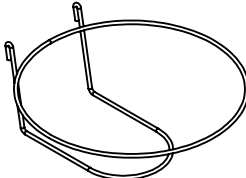
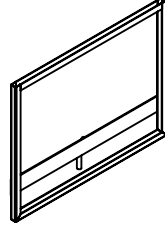
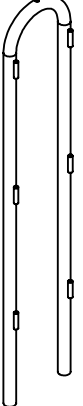
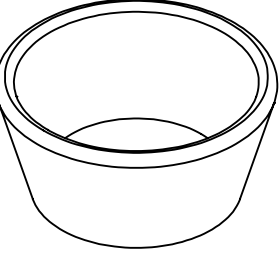
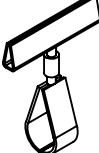

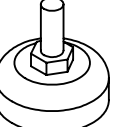
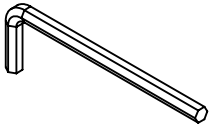
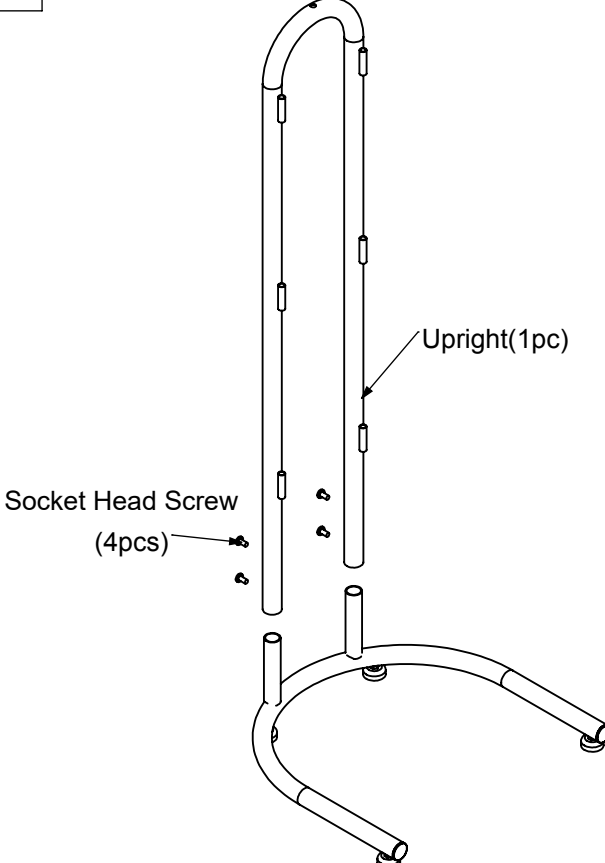
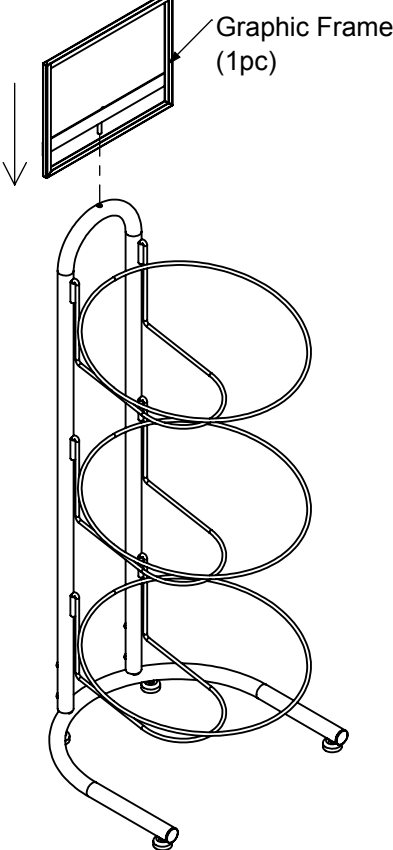
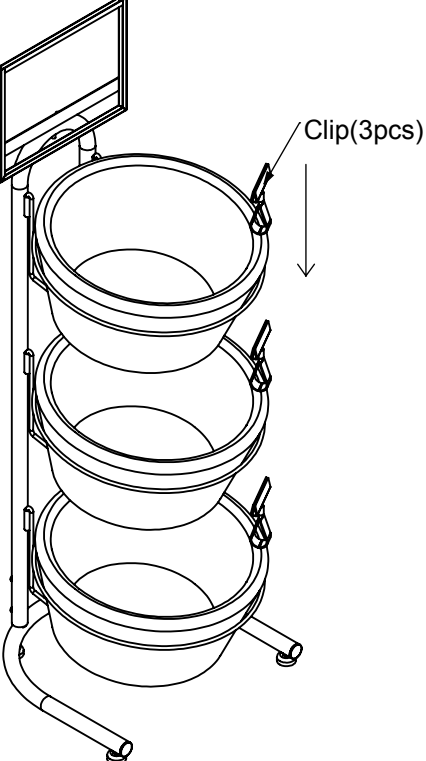


# ASSEMBLY INSTRUCTIONS

DISPLAYS2GO

| PARTS LIST   | 1   | 3  | 5  |
|--|---|--|--|
| <p>V19.10</p> <p>Scan QR code to visit the product page:</p>    |            |             |            |
|  <p>Base Qty:1pc</p>  <p>Shelf Qty:3pcs</p>  <p>Graphic Frame Qty:1pc</p>  <p>Upright Qty:1pc</p>  <p>Basket Qty:3pcs</p>  <p>Clip Qty:3pcs</p>  <p>Socket Head Screw Qty:4pcs</p>  <p>Adjustable Foot Qty:4pcs</p>  <p>Hex Key Qty:1pc</p> | <p>2</p>  | <p>4</p>  | <p>6</p>  |

If you have any questions regarding our products, please visit us at [www.displays2go.com](http://www.displays2go.com) or contact D2G customer service 844-221-3388.