

Instructions for providing copy and image for posters for Post-Up Stand

ACCEPTABLE FILE FORMATS

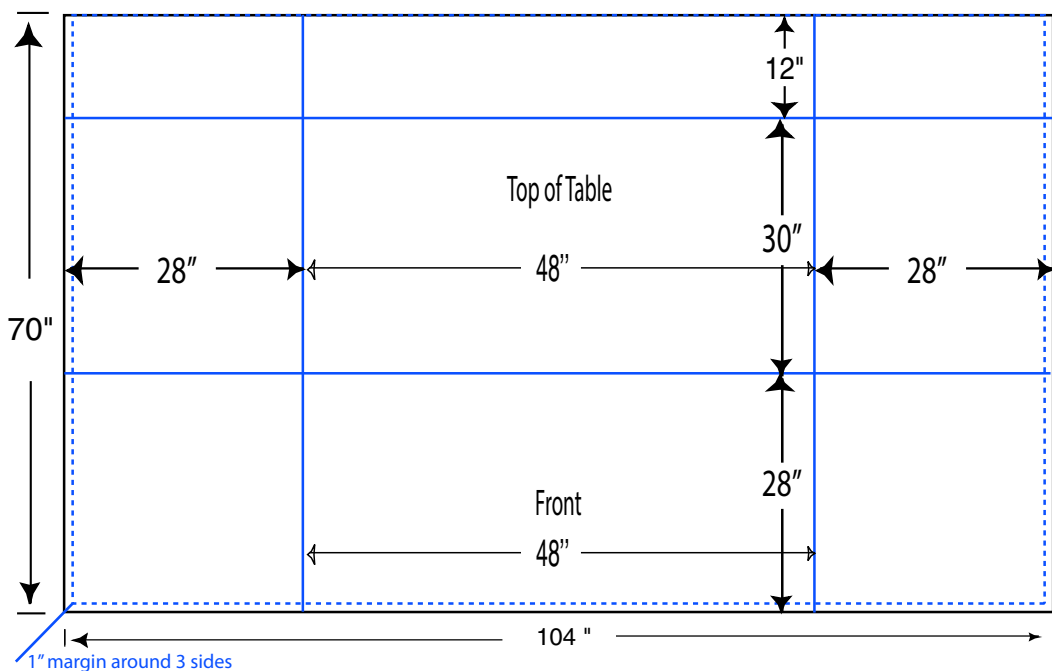
.jpg
.pdf
.tiff
.ai
.psd
.eps

- * Please note:
- Files must be CMYK
 - All files must be PC compatible
 - .ai files must have text "outlined"
 - .psd files please "rasterize" all text layers

*All files should be "high resolution". Files should have a minimum resolution of 150dpi when at FULL size.

TRANSMITTING FILES

- ONLINE:
- <https://www.postupstand.com/uploadartwork>
 - recipient email address: sales@postupstand.com



4 FT TABLE THROW SIZE AND MARGINS

Design file at 104" x 70" (document size). Run background color/image full length and width of document. No need for excess bleed. Please note: There is a 1.5" margin along the outside edge for hem.

POST-UP STAND

Phone: 800-935-3534

Fax: 216-332-0531

Email: sales@postupstand.com

www.postupstand.com