

INSTALLATION INSTRUCTIONS

4FT Large Portable Light Box

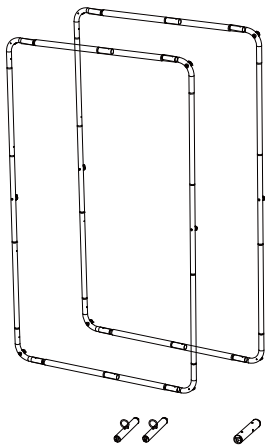
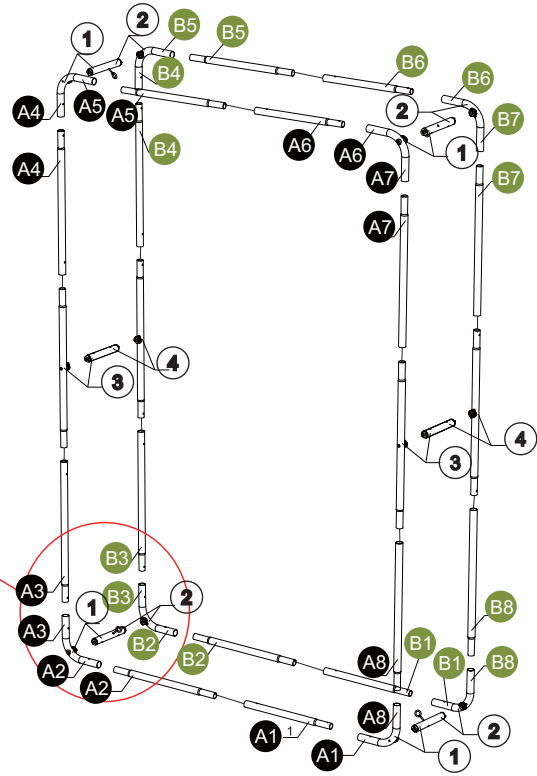
Attention:

Please switch the LED panels progressively after assembly, this helps avoid an overload of electrical currents. If all the lights are switched at once, then potential damage to the LED panel.



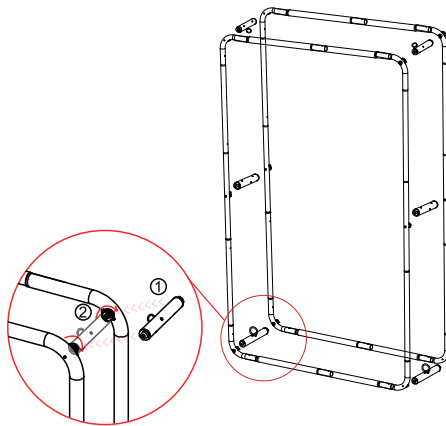
REMIIND:

Red direction show the LED forward side.
Blue direction show the graphic side.
(If it's single side printing, the LED direction should face the back of the graphic to achieve better effect)



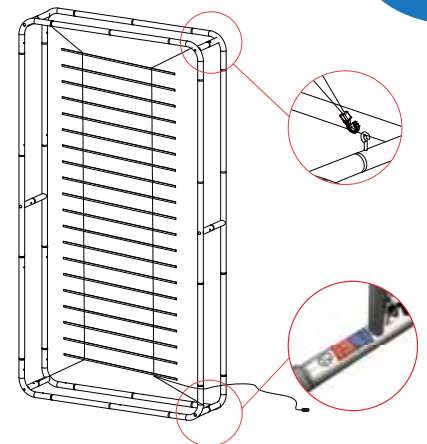
1

Put both horizontal tube connect with same label in to a frame, as the picture shown, and prepared the middle tube



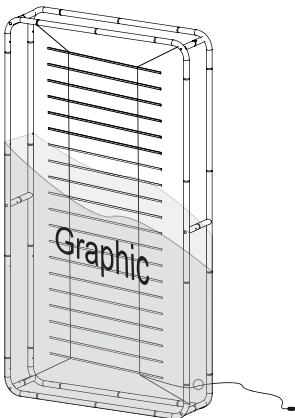
2

Go four horizontal corners firstly with the middle connector.



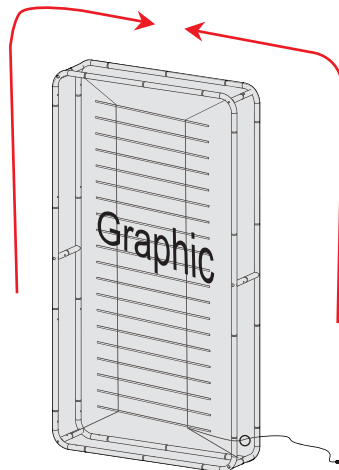
3

Hang the LED light into frame respectively.



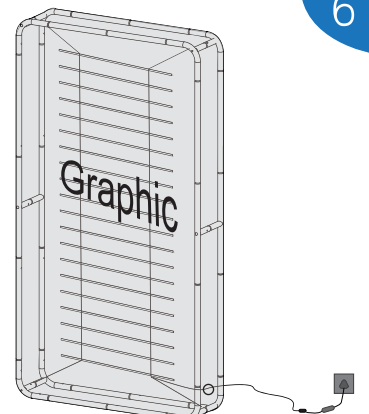
4

Set up graphic to the frame.(Light power line should be out from holes in graphic.)



5

Zip the zipper.



6

Connect the power, finished.