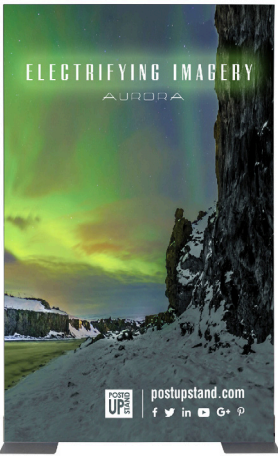
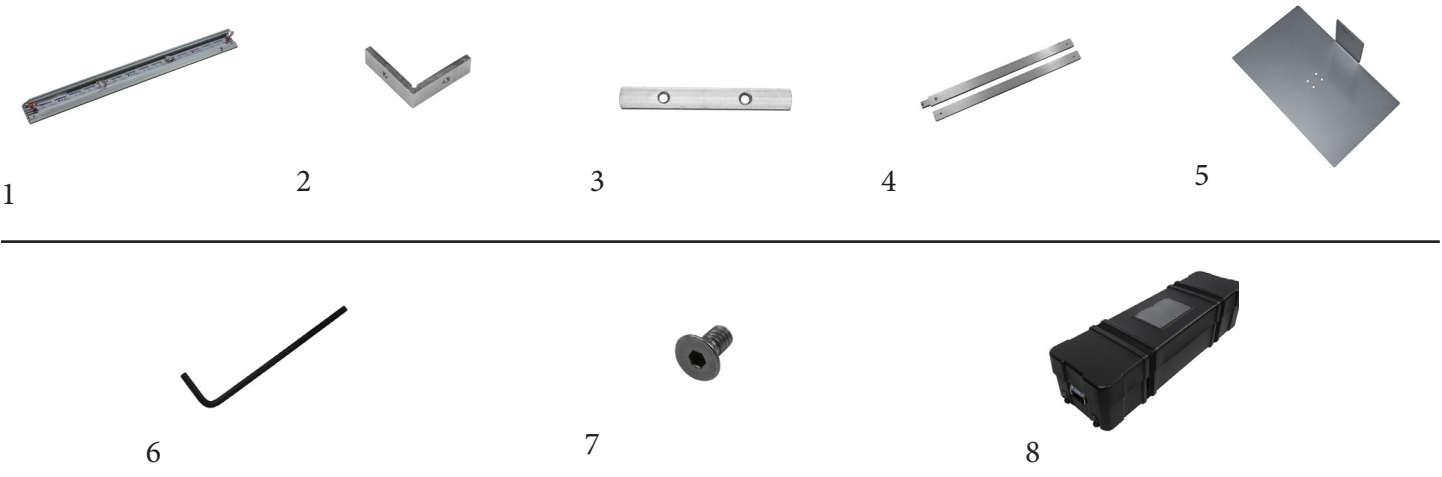


5' x 8' Aurora Light Box



Parts



- | | | |
|--|--|---|
| <p>1 - (8) Extrusions
2 - "L" brackets
3 - Straight brackets</p> | <p>4 - Support bar
5 - (2) Feet
7 - Allen wrench</p> | <p>8 - Screws
9 - Shipping case</p> |
|--|--|---|

Replacement Parts (Sold Individually)



- | | | | |
|---|-------------------------|------------------------------|-------------------|
| <p>1 - Full frame replacement
(includes all hardware
components listed)</p> | <p>2 - "L" brackets</p> | <p>3 - Straight brackets</p> | <p>4 - Screws</p> |
|---|-------------------------|------------------------------|-------------------|

Storage and care

Place all components of the Aurora Light Box into designated areas of case and store in a cool, dry place.