

Instructions for providing copy and image for 6ft Fitted Table Throw

ACCEPTABLE FILE FORMATS

.jpg
.pdf
.tiff
.ai
.psd
.eps

* Please note:

- Files must be CMYK
- All files must be PC compatible
- .ai files must have text "outlined"
- .psd files please "rasterize" all text layers

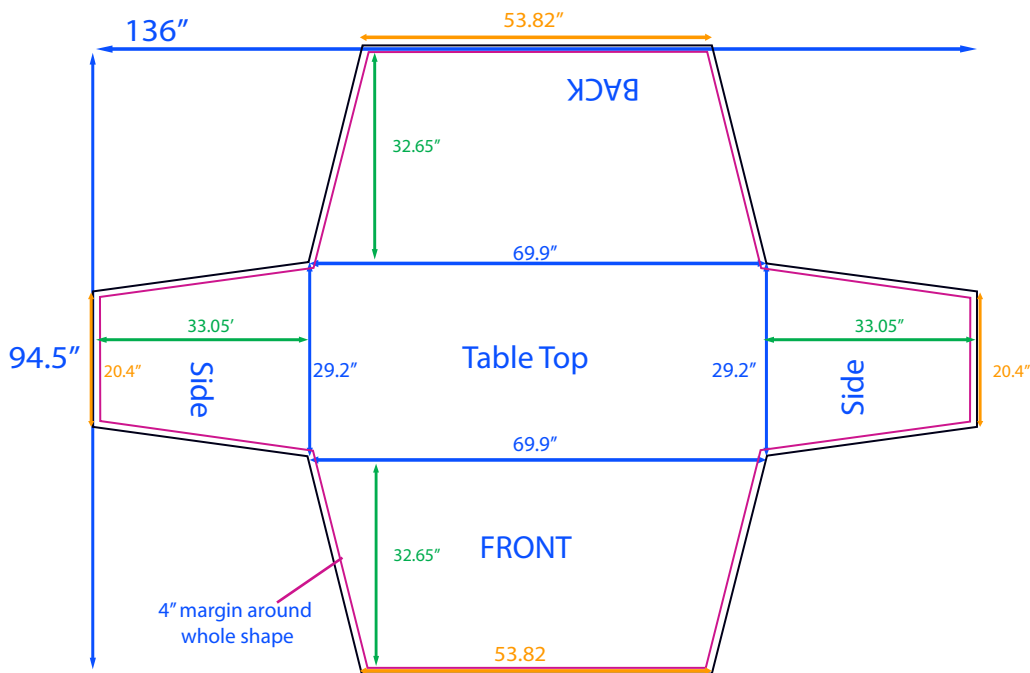
*All files should be "high resolution". Files should have a minimum resolution of 150dpi when at FULL size.

TRANSMITTING FILES

ONLINE: - <http://www.trtbanners.com/upload-artwork/>
- recipient email address: sales@trtbanners.com

6 FT TABLE THROW SIZE AND MARGINS

Design file at 136" x 94.5" (document size). Run background color/image full length and width of document. No need for excess bleed. Please note: There is a 4 inch margin along the outside edge for hem.



Phone: 1-877-223-6540

Email: sales@trtbanners.com

www.trtbanners.com