

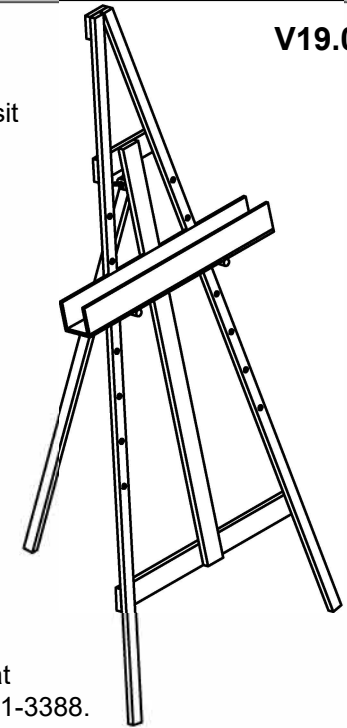
# ASSEMBLY INSTRUCTIONS




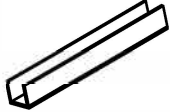


# DISPLAYS2GO

V19.09

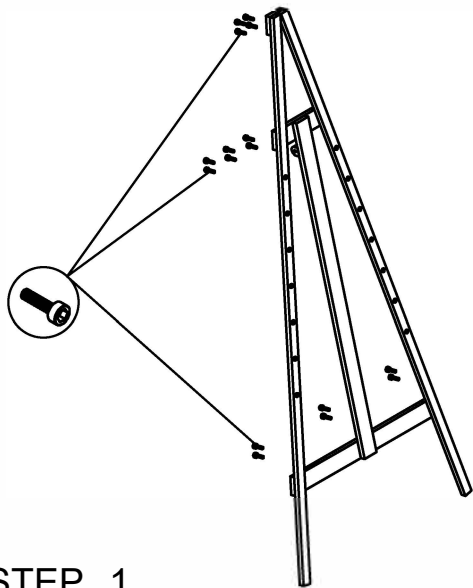
ACEASFLAFA - Floor Acrylic Easel A Frame  
with Adjustable Pegs

Scan QR code to visit  
the product page:



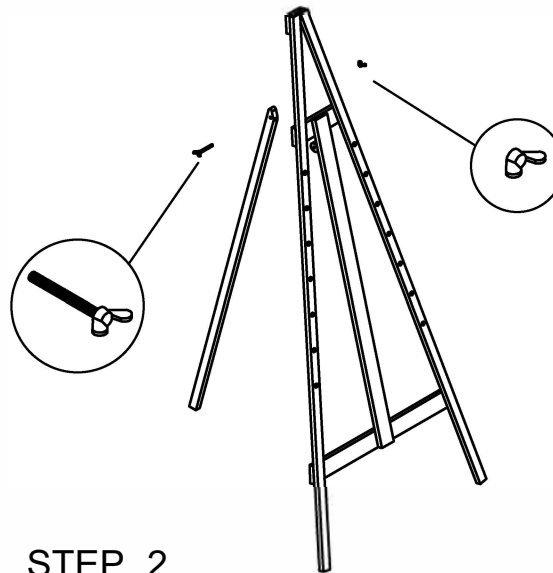
-  Screws M5X20 16 pcs
-  Peg 2 pcs
-  Wing Screw M4X40 1 pc
-  Acrylic Tray 1 pc
-  Wing Nut M4 1 pc
-  Allen key 1 pc

If you have any questions regarding our products, please visit us at [www.displays2go.com](http://www.displays2go.com) or contact D2G customer service at 844-221-3388.



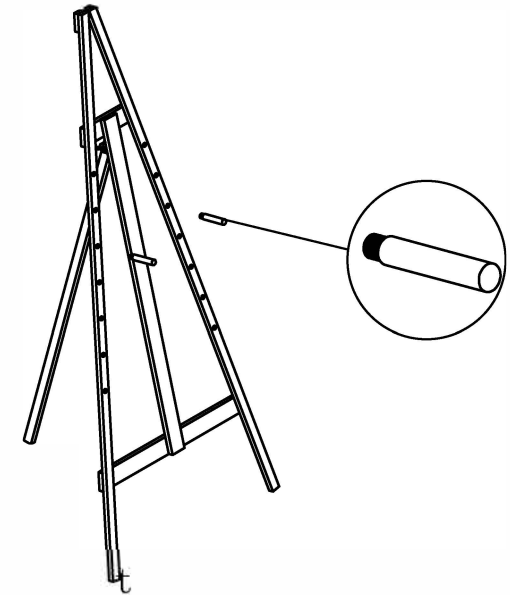
## STEP 1

Assemble the front support legs and three connecting plates with M5X20 screws



## STEP 2

Assemble the back leg with M4X40 Wing Screw and M4 Wing Nut.



## STEP 3

Screw pegs into the front feet at the desired height. Place an acrylic tray on the attached pegs.