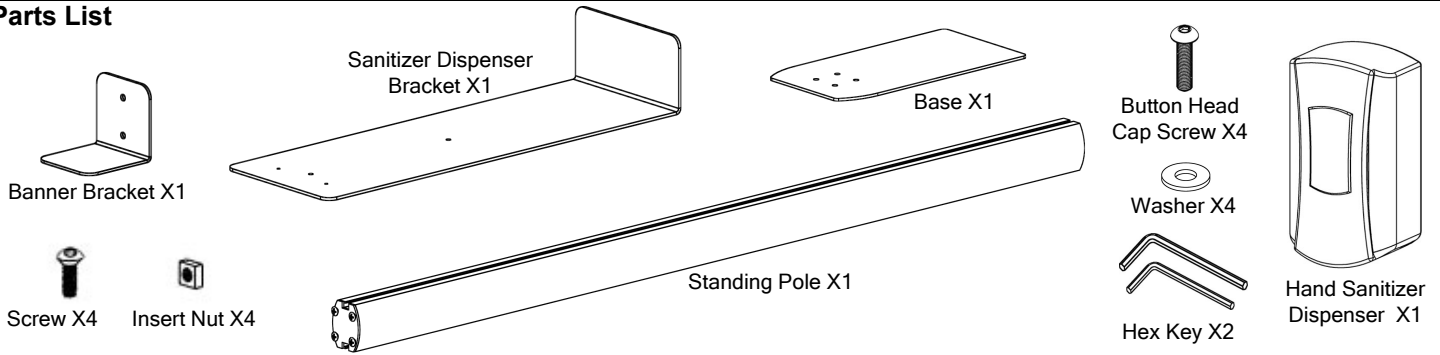


INSTALLATION INSTRUCTIONS

AHSSDRB - Automatic Hand Sanitizer Banner Stand

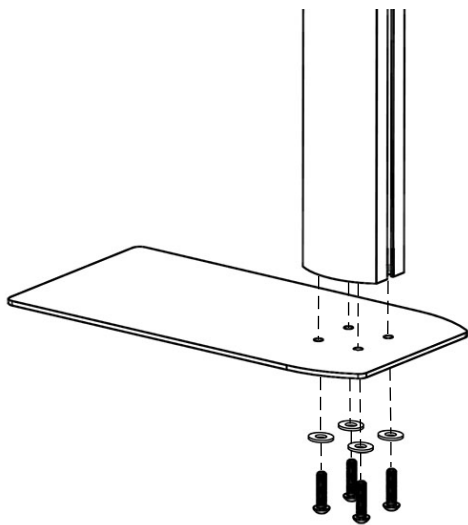
V21.02

Parts List



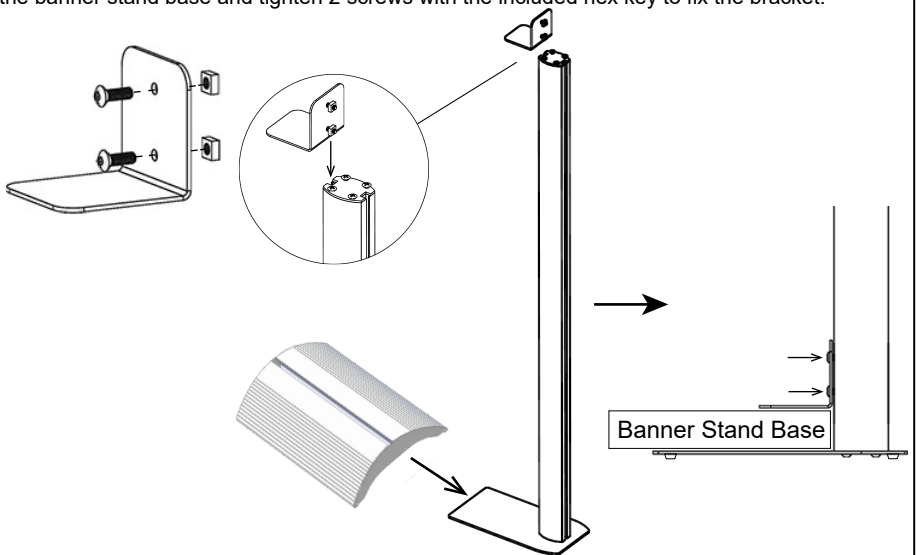
Stand Assembly

1. Connect the standing pole with the base. Align holes on the base with corresponding holes on the bottom of the pole. Insert 4 button head screws with 4 washers from the bottom and tighten them securely.



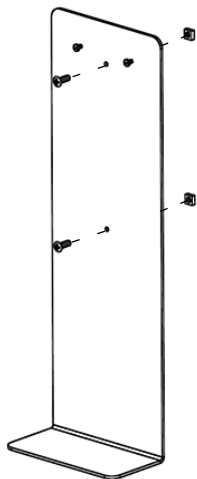
2. Connect 2 screws and 2 insert nuts to the banner bracket as shown. Do not fully tighten the screw with the nut.

Move your banner stand (not included) onto the top of the base and let it touch the pole. Insert the square nuts on the back of the banner bracket into the T-slot. Slide the bracket down onto the banner stand base and tighten 2 screws with the included hex key to fix the bracket.

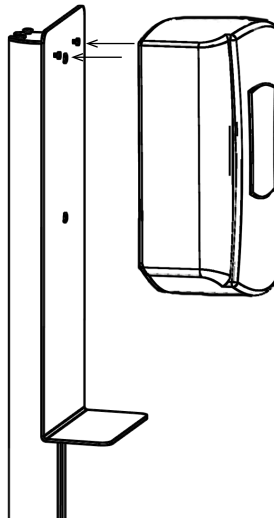


Sanitizer Dispenser Assembly

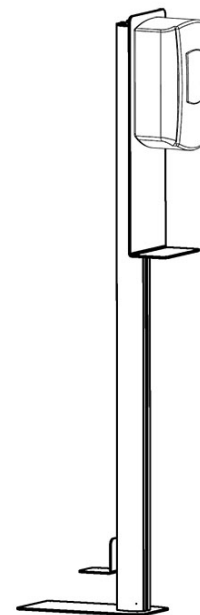
1. Connect 2 screws and 2 insert nuts to the hand sanitizer dispenser bracket as shown. Do not fully tighten the screw with the nut.



2. Insert the square nuts into the T-slot on the opposite side of the banner stand. Secure the sanitizer dispenser bracket at the top of the pole by tightening 2 screws. Hang the sanitizer dispenser onto the bracket using the 2 key holes on the back.



3. The assembly is finished.



AHSSDRB

Scan QR code to visit the product page:



If you have any questions regarding our products, please visit us at www.displays2go.com or contact D2G customer service 844-221-3388.