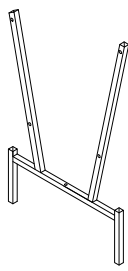
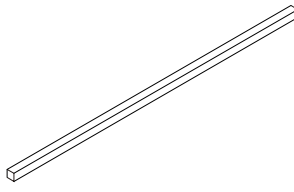
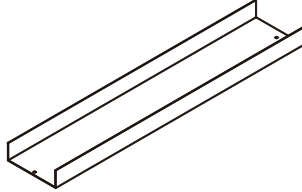





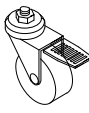
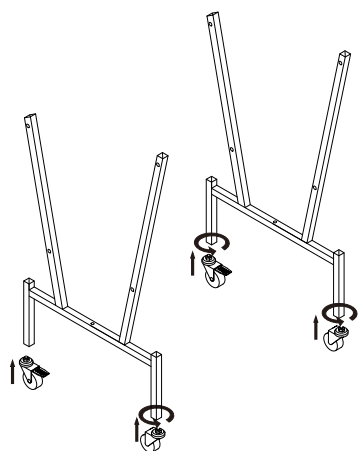


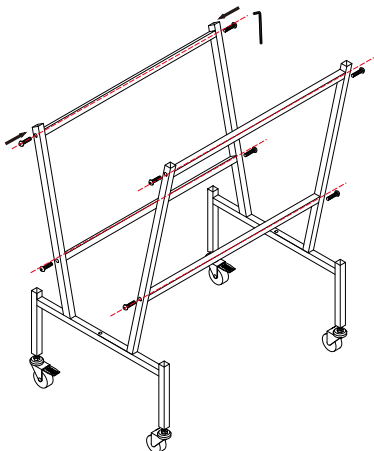
Parts List

 <p>Supporting leg 2PCS</p>	 <p>Connecting tube 4PCS</p>	 <p>Metal trays 1PC</p>	 <p>Screws M8x40 8PCS</p>	 <p>Screws M6x15 2PCS</p>	 <p>Swivel castor 2PCS</p>
			 <p>#5 Allen Key 1PC</p>	 <p>#4 Allen Key 1PC</p>	 <p>Swivel castor with lock 2PCS</p>

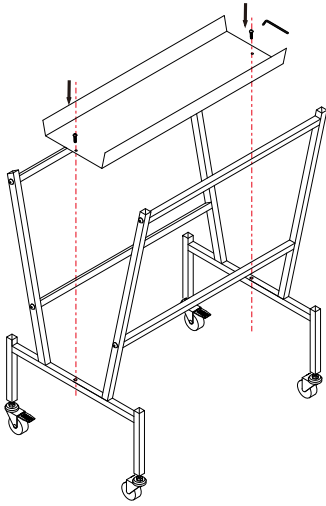
STEP 1. Assembly the castors on the two supporting legs, the castors with lock are in the back of unit, as shown above.



STEP 2. Assembly the supporting legs with connecting tube by using M8*40 Screws and tighten them with #5 Allen key.



STEP 3. Assembly the metal trays to the frame by using M6*15 screws and tighten them with #4 Allen key.



STEP 4. The assembly is finished.

