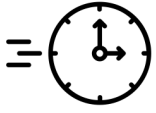


Assembling the Digital Poster



Assembly Time:
Approximately 30 minutes

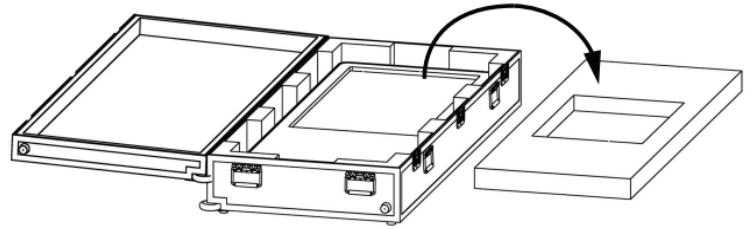
What's included:

- Digital Panel
- Metal Base
- Remote Control
- Touch Pens (2)
- Power Cord
- Wi-Fi Antenna
- Cleaning Kit
- Caster Wheels (4)
- Wheel Screw Package
 - Cross head screws (16)
 - Philips Screwdriver
- Base Screw Package
 - Hex Screws (8)
 - Washers (8)
 - Hex Wrench

Unpacking

 2 people required when lifting and moving unit!

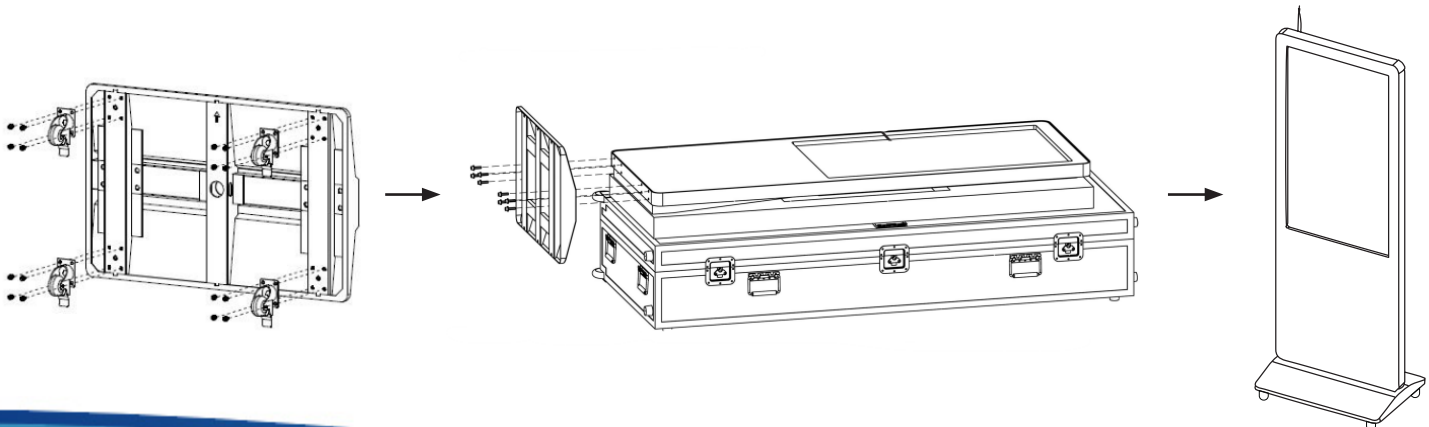
1. Place the foam sheet with the metal base on a flat, hard surface. Remove the metal base from the center of the foam and set aside.
2. Carefully lift the digital panel and place it on top of the foam.



Assembly

 2 people required when lifting and moving unit!

1. Connect wheels to base using cross head screws. Tighten all casters with philips screwdriver.
2. Close travel case and gently lift the digital panel onto the top of the case.
3. Connect metal base to panel using hex screws and tighten with hex wrench.
4. Insert antenna into Wi-Fi receiver, located on top rear of digital panel. Have 2 people carefully lift into standing position.



Returning the Digital Poster

Return Checklist - (Read this BEFORE disassembly)

Please complete the following steps to properly return the unit.

Remove personal files and downloaded apps

1. Delete any personal files saved to the unit using the File Explorer app. To do this, select the files, click **Editor**, then click **Delete**.
2. Uninstall any downloaded apps. Go to Settings, scroll to downloaded apps and click the app. Then click **Uninstall**.

Photograph condition of the unit

1. Photograph the following aspects of the unit on your mobile phone:
 - Screen while unit is ON
 - Back of unit
 - Left view of unit
 - Right view of unit
 - All accessories in original plastic bag
2. Scan the QR code to send an email directly to our Rentals team at rentals@displays2go.com. Add the name of your company in the email subject line, attach the photos to the email and send.

Scan to open email.



Disassemble and Repack Unit

1. Flip power switch to 'O' position, then unplug the power cord.
2. Remove the Wi-Fi antenna, power cord, and all accessories. Carefully disassemble base and casters.
3. Repack the unit in the configuration it was received. When packing, place the digital poster in first, with the screen facing up. Place the foam sheet on top of the panel. Then place base, casters, and accessories in designated spots.
4. Refer to packing list to make sure all components are returned.
5. **The digital signage is ready to be shipped for return!**