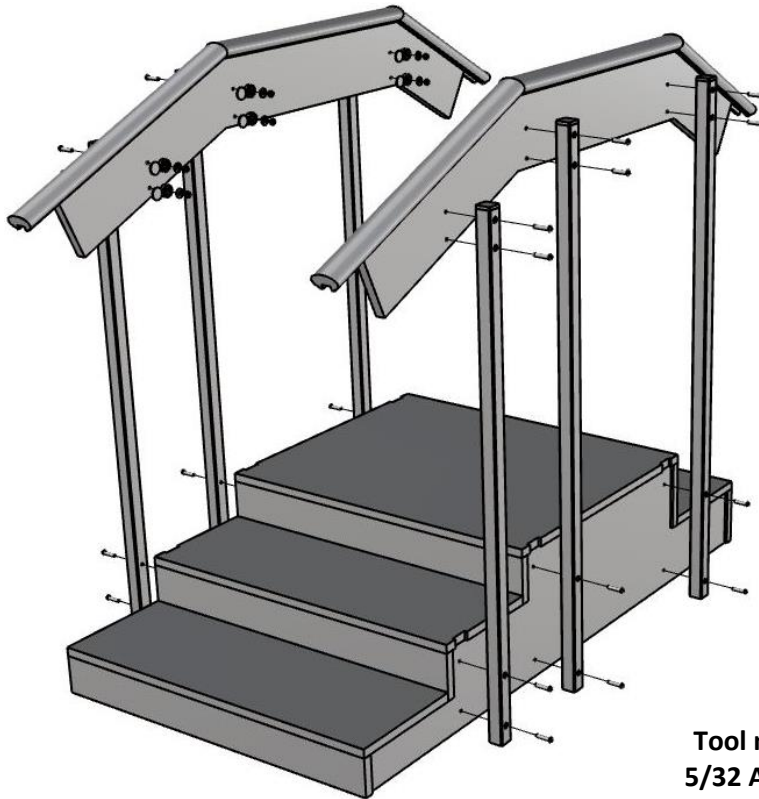


# Assembly Instructions

M159M131DS – Dual-Sided Therapy Stairs

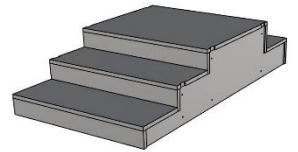
V21.06

1



**Tool needed:**  
5/32 Allen Key

Steps



Handrail

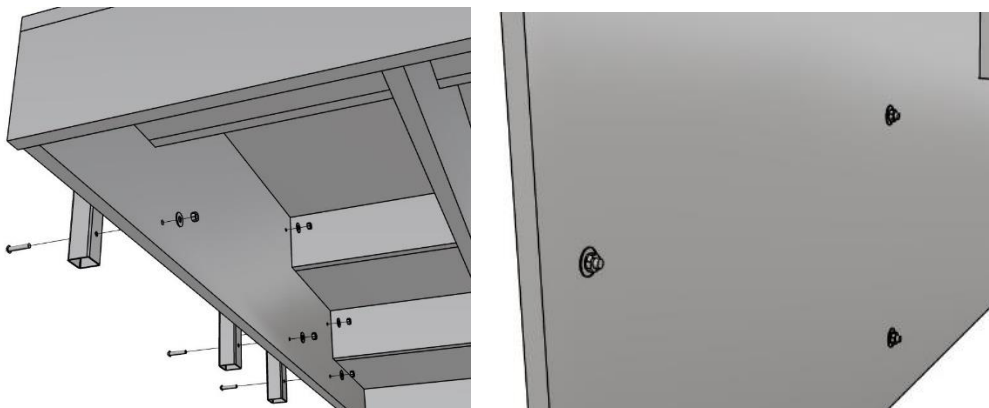


Upright Poles



2

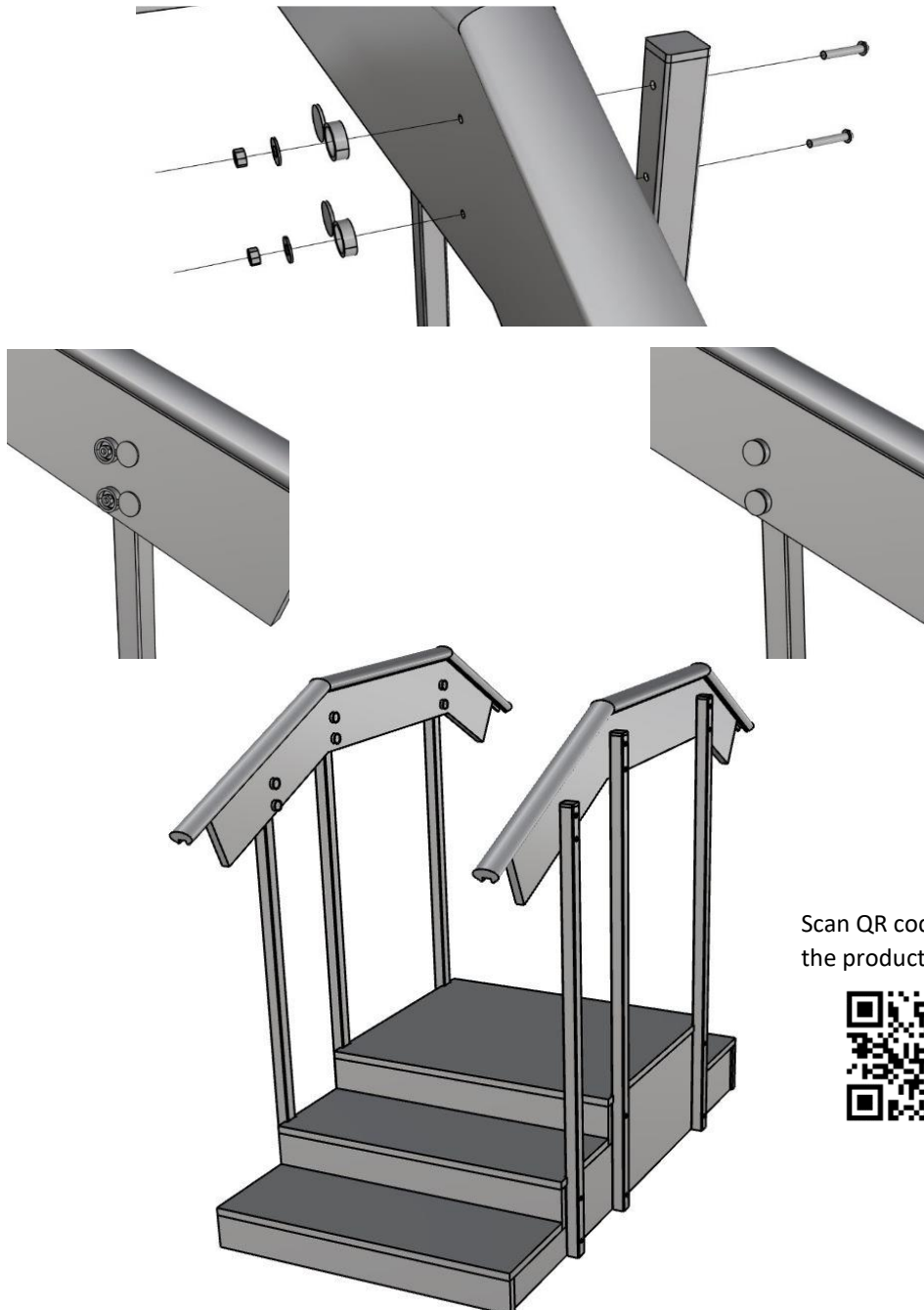
Thread bolts through the bottom holes in the upright poles and secure on the inside of the stairs using washers and nuts. Tighten with 5/32 Allen key.



Caps, Bolts,  
Washers and Nuts



- 3 Attach handrails to the tops of upright poles by threading bolts through holes and securing with a black cap, washer and nut. Tighten with 5/32 Allen key.



Scan QR code to visit  
the product page:



If you have any questions regarding our products, please visit us at [www.medifor.com](http://www.medifor.com) or contact Medifor customer service at 888-632-3077.