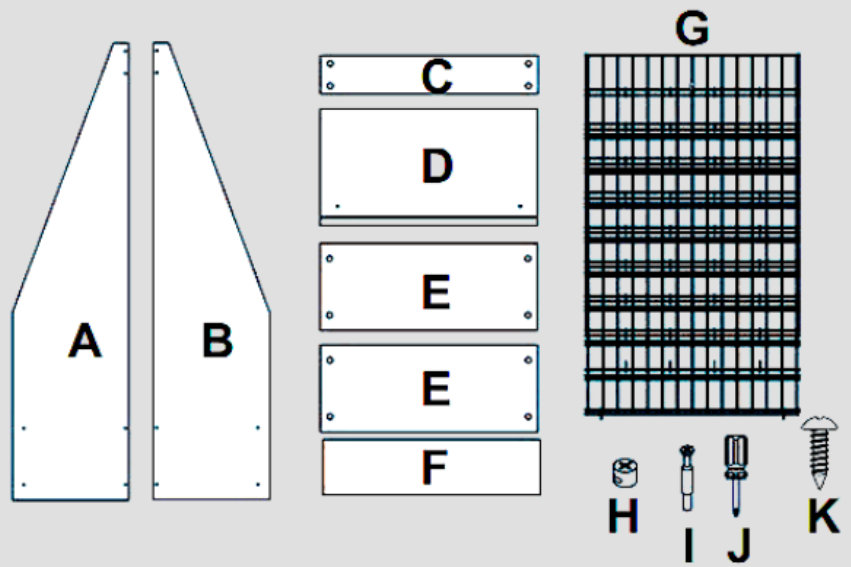
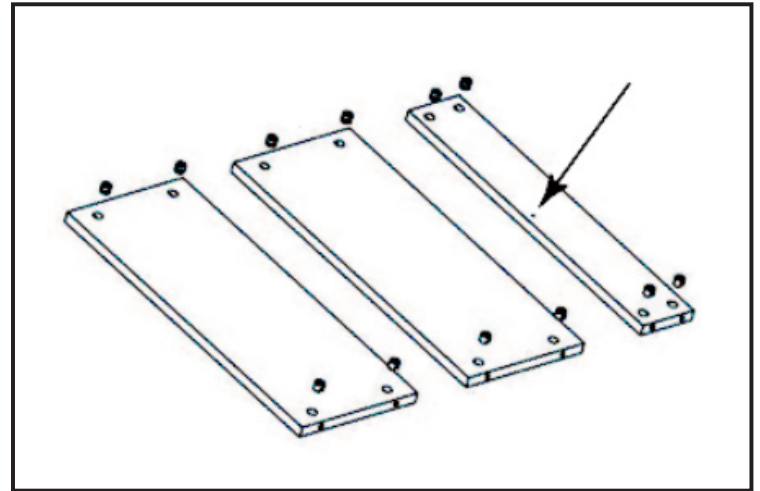
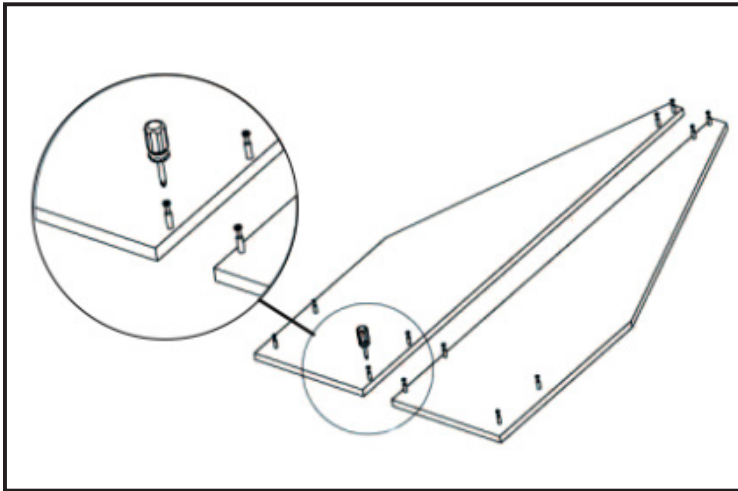


PARTS LIST:	QTY:
A. Right Side	1
B. Left Side	1
C. Upper Back	1
D. Top	1
E. Front, Back	1, 1
F. Acrylic Insert	1
G. Wire Frame	1
H. Cam, 15mm	12
I. Connector	12
J. Screwdriver	1
K. Pan Head Screw	1

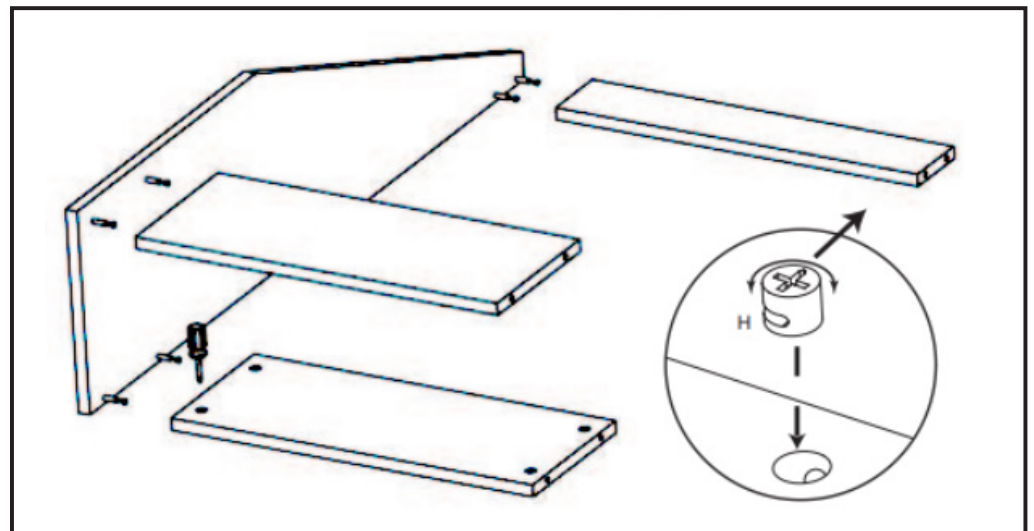


1. Screw connectors (I) into small holes in Right (A) and Left (B) sides

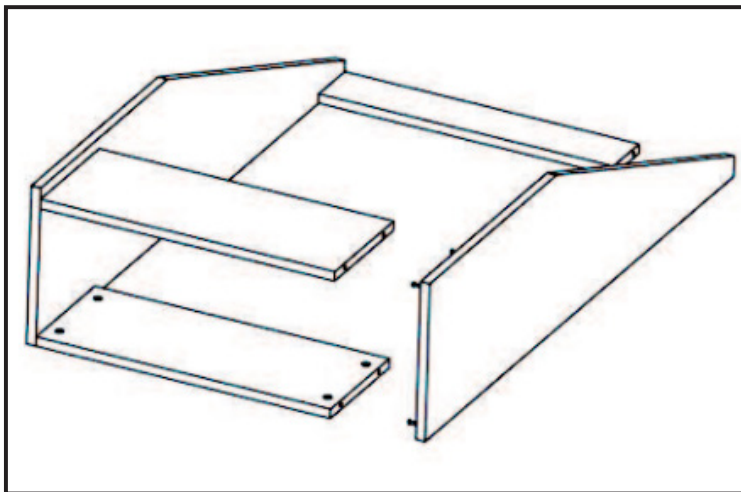
2. Place cams (H) into large holes in Upper Back (C) and both Front/Back (E). Place the Upper Back so small hole is at bottom.



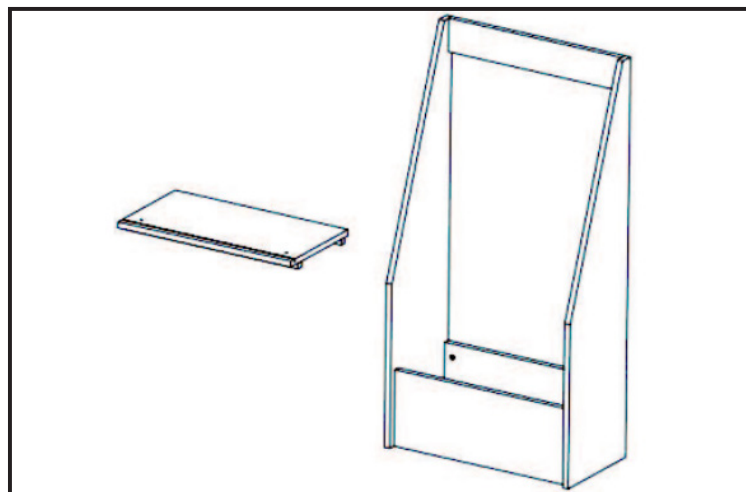
3. Join Right Side (A) to Front/Back as shown. Join Upper Back, with small hole facing the back of the unit. Use screwdriver to turn the arrow on the cam toward nearest edge. Insert connector and rotate 1/2 turn clockwise with screwdriver to lock cams.



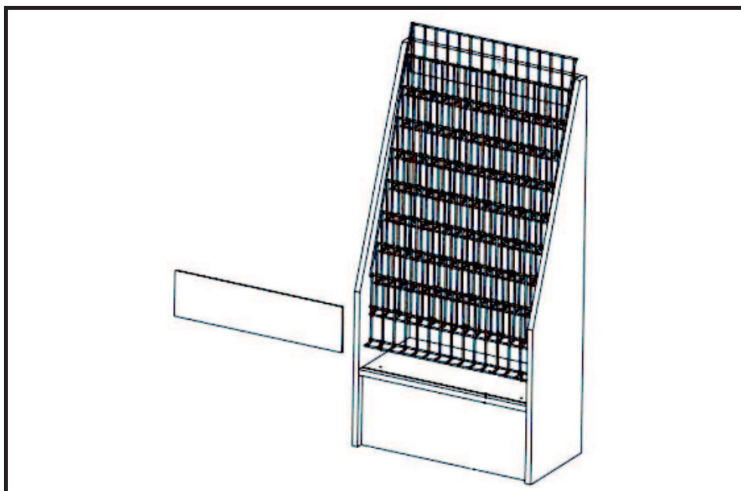
4. Connect Left Side (B) to unit. Lock cams with screwdriver.



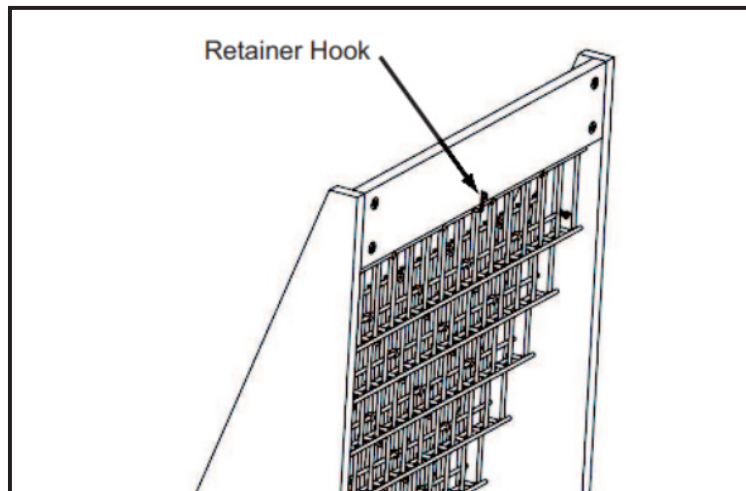
5. Lift unit to standing position. Place Top (D) with slot and two holes facing front as shown.



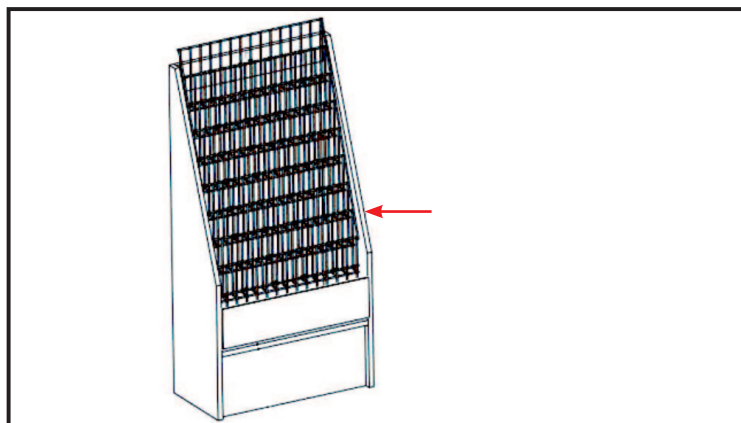
6. Lower Wire Frame (G) into the unit, so pegs slide into slots on Top (D). Place Acrylic Insert (F) into slot on Top (D).



7. Set retainer hook of Wire Frame (G) over small hole of Upper Back (C). Insert screw (K) into hole using screwdriver to secure.



8. Flip wire hooks on Wire Frame (G) to set pocket spacing as desired.



Assembly is complete.