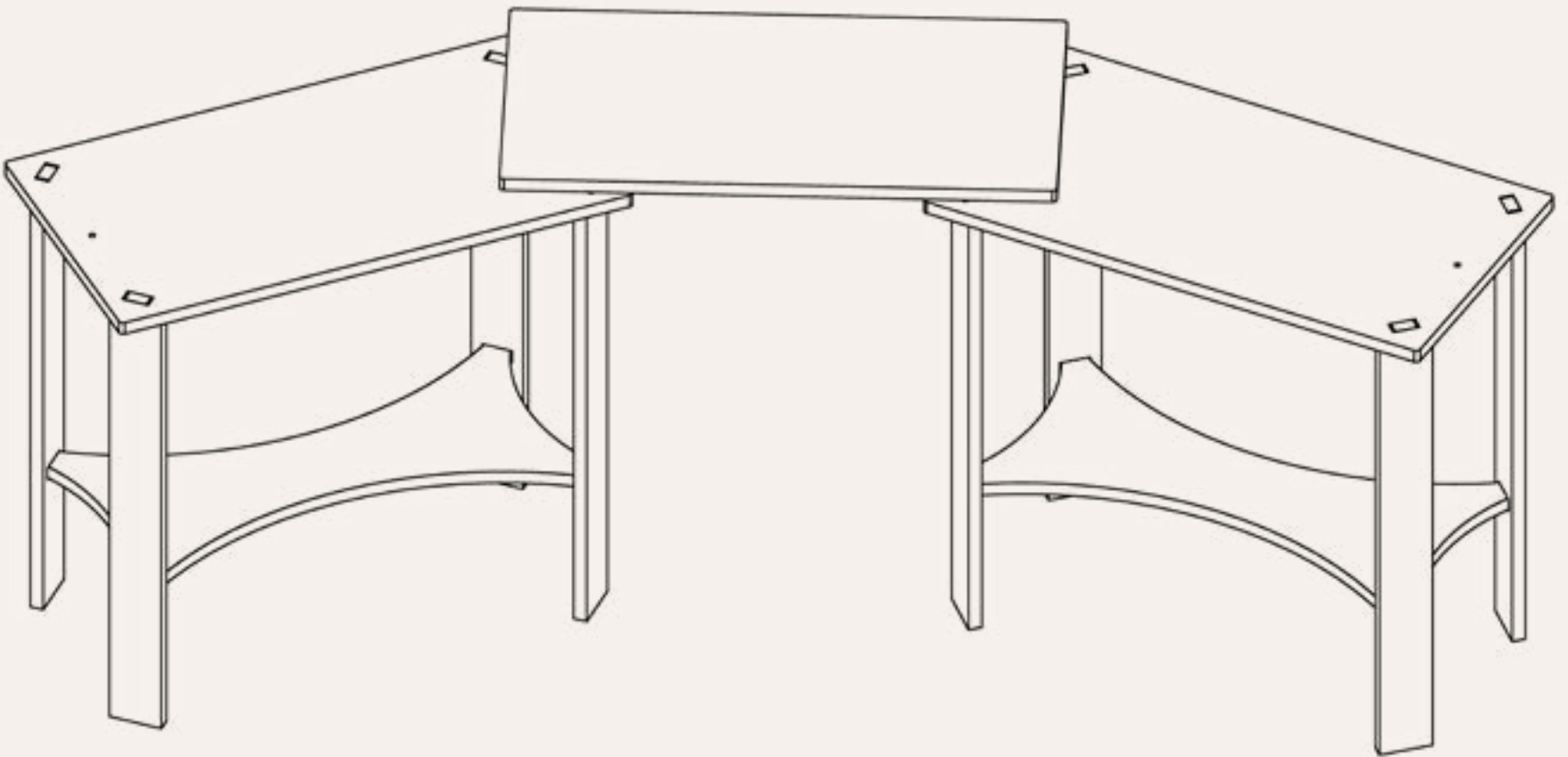


Collection 2



SKU: DBATS2WC; DBMNT1AO

# AGILE TABLE SYSTEM USER GUIDE

# DANDELION

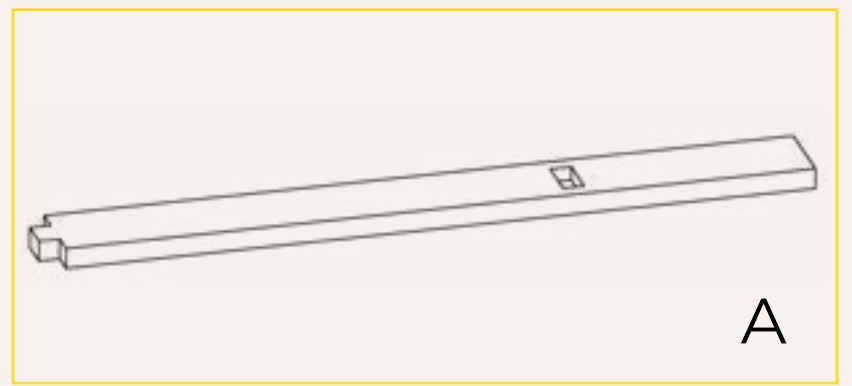
RESPONSIBLY CREATING BETTER PRODUCTS FOR A BETTER WORLD



# Table of Contents

## USER GUIDE

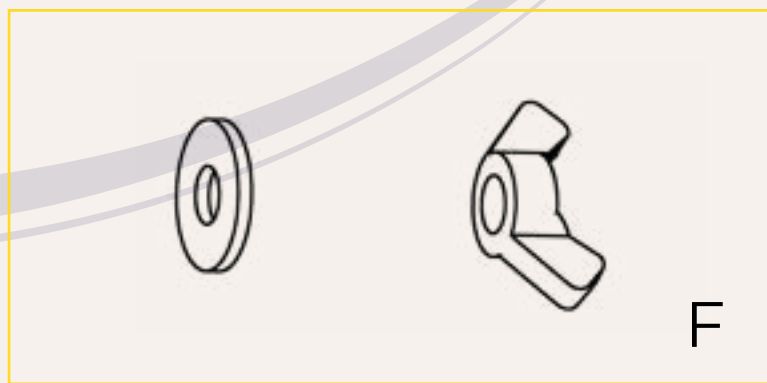
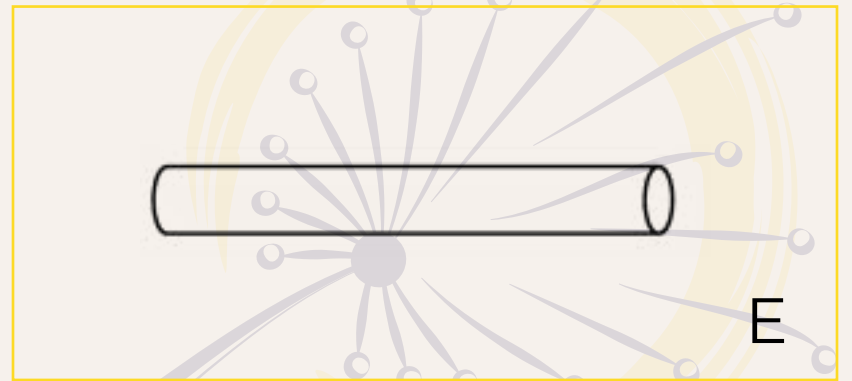
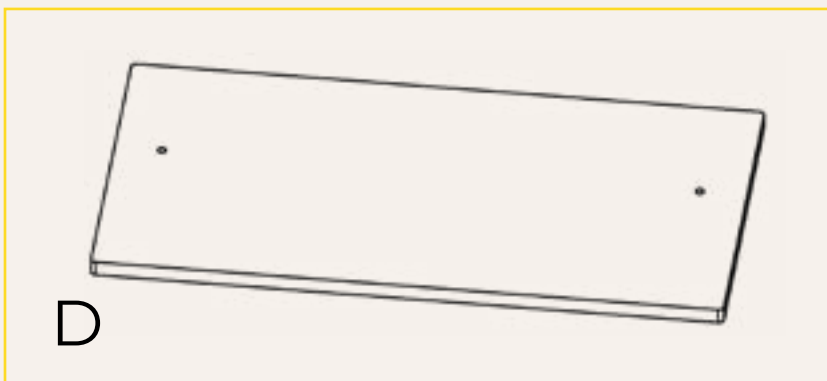
Single Agile Table (DBSAT1)		
PART NUMBER	DESCRIPTION	QTY
A	LEG	4
B	STRETCHER	1
C	TABLE TOP	1



Dandelion Agile Table System (DBATS2WC)		
PART NUMBER	DESCRIPTION	QTY
A	LEG	8
B	STRETCHER	2
C	TABLE TOP	2
D	CONNECTING TABLE	1
E	STUD	2
F	WING NUT AND WASHER	2

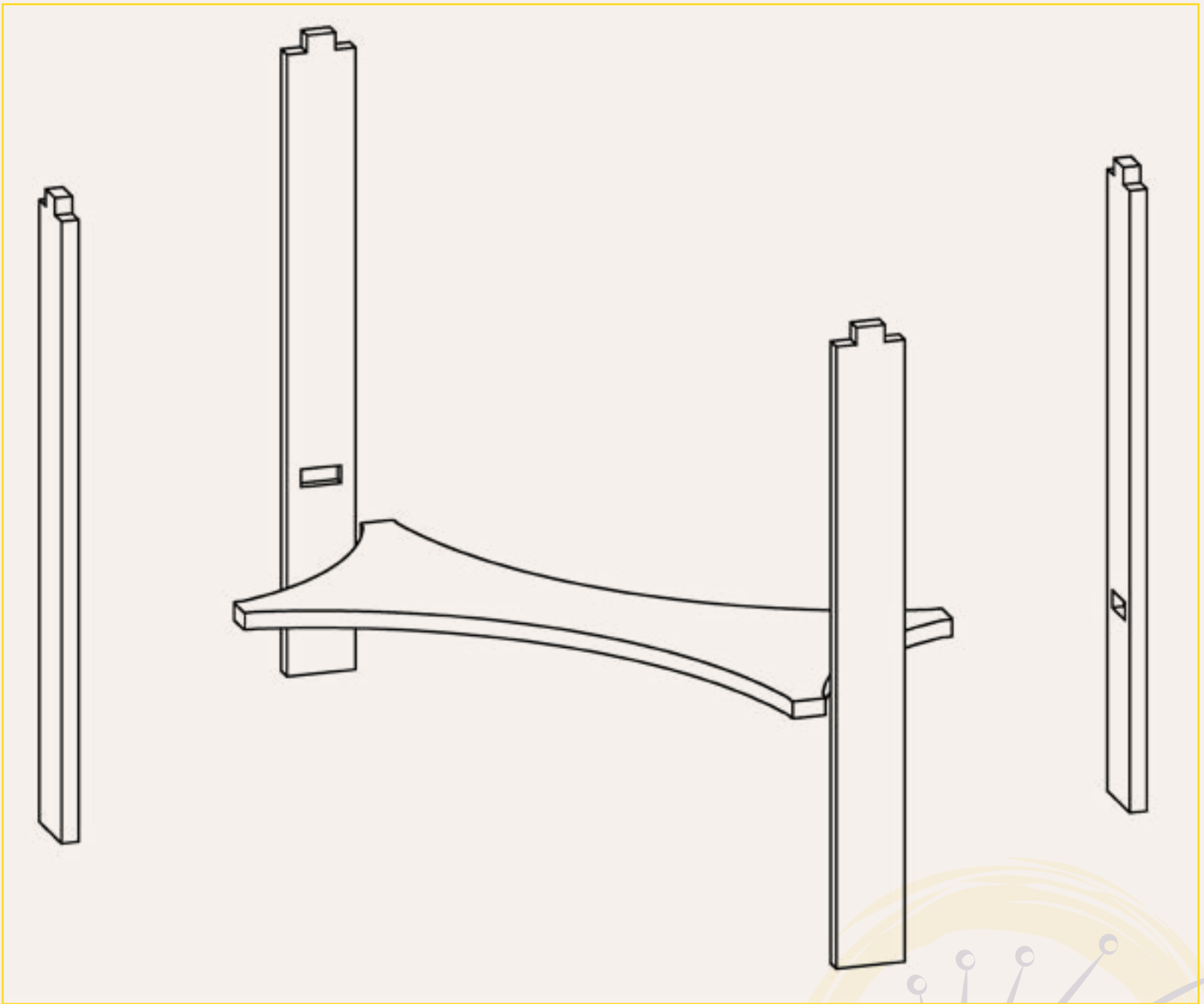


Danelion Agile Table System: Add-On (DBMNT1AO)		
PART NUMBER	DESCRIPTION	QTY
A	LEG	4
B	STRETCHER	1
C	TABLE TOP	1
D	CONNECTING TABLE	1
E	STUD	2
F	WING NUT AND WASHER	2



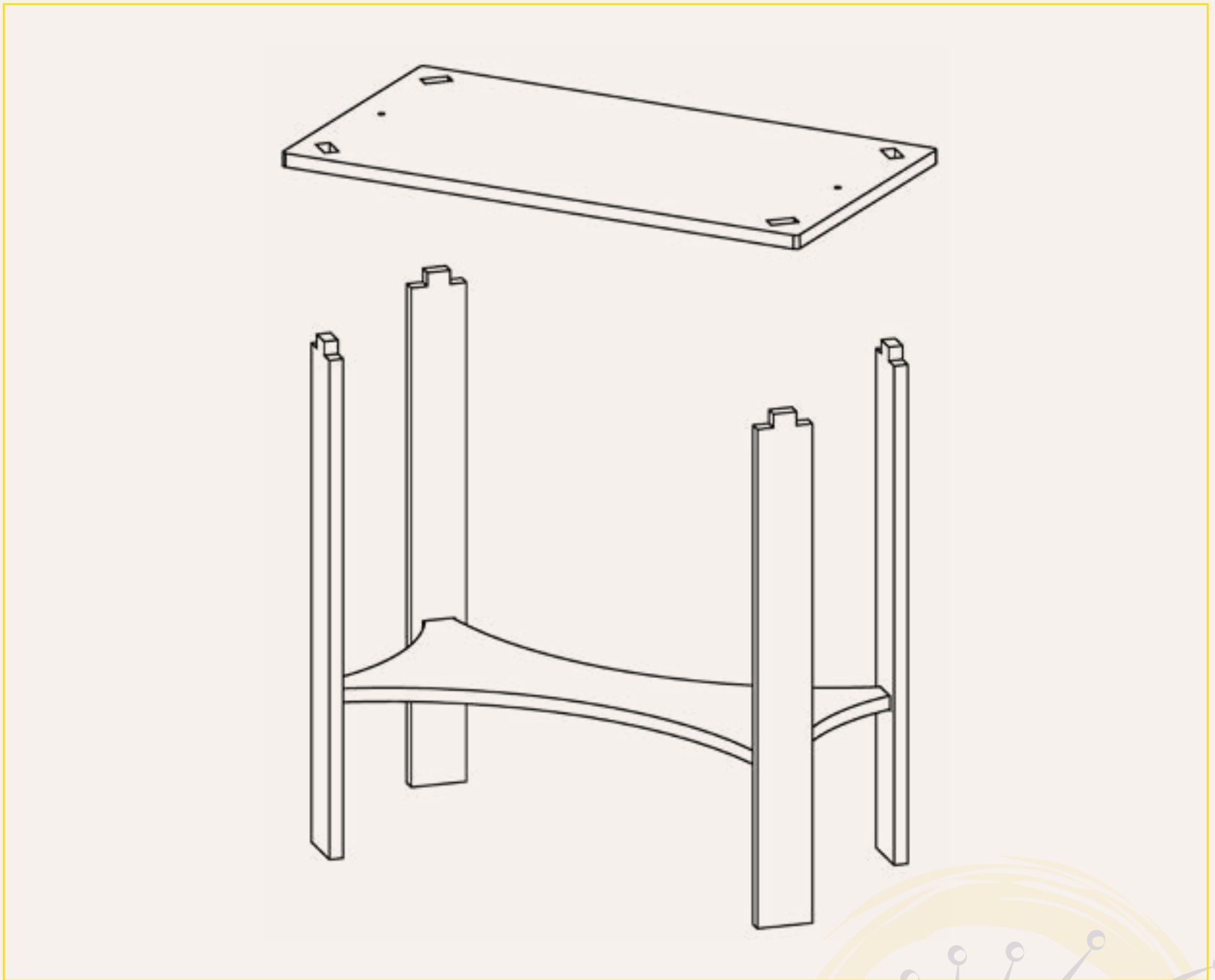
**NOTE: Review your order carefully to ensure accuracy in assembly process. Pieces sold separately.**

# PARTS DIAGRAM



1. Align cutouts in legs (A) with corners of the stretcher (B) as shown. Attach each leg to the corner and make sure all corners are fully inserted.

# ASSEMBLY INSTRUCTIONS

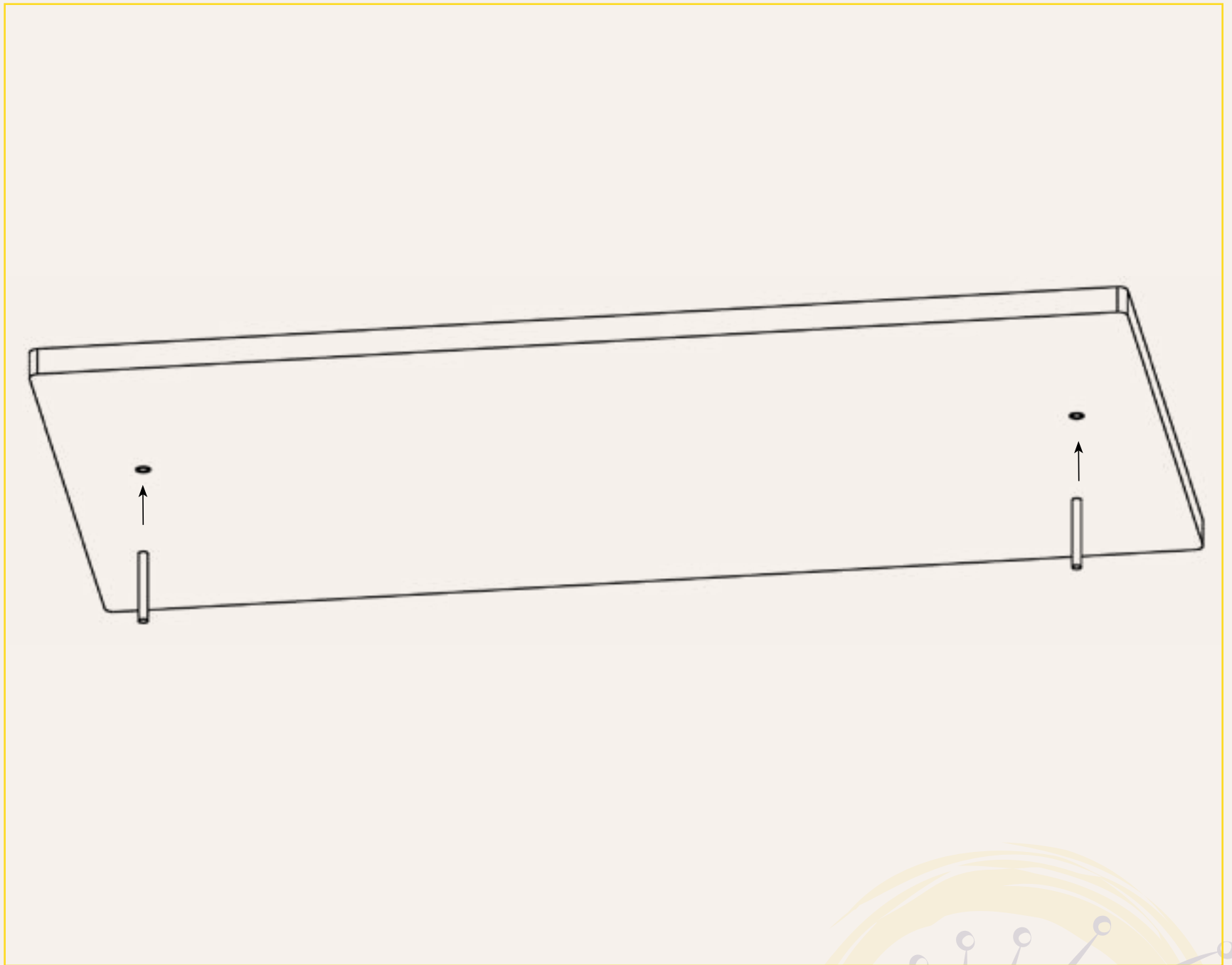


2. Place the table top (C) on top of the assembled legs and align the cutouts with legs. Press down on each corner to secure the table top.

Repeat steps 1-2 to assemble the other table.

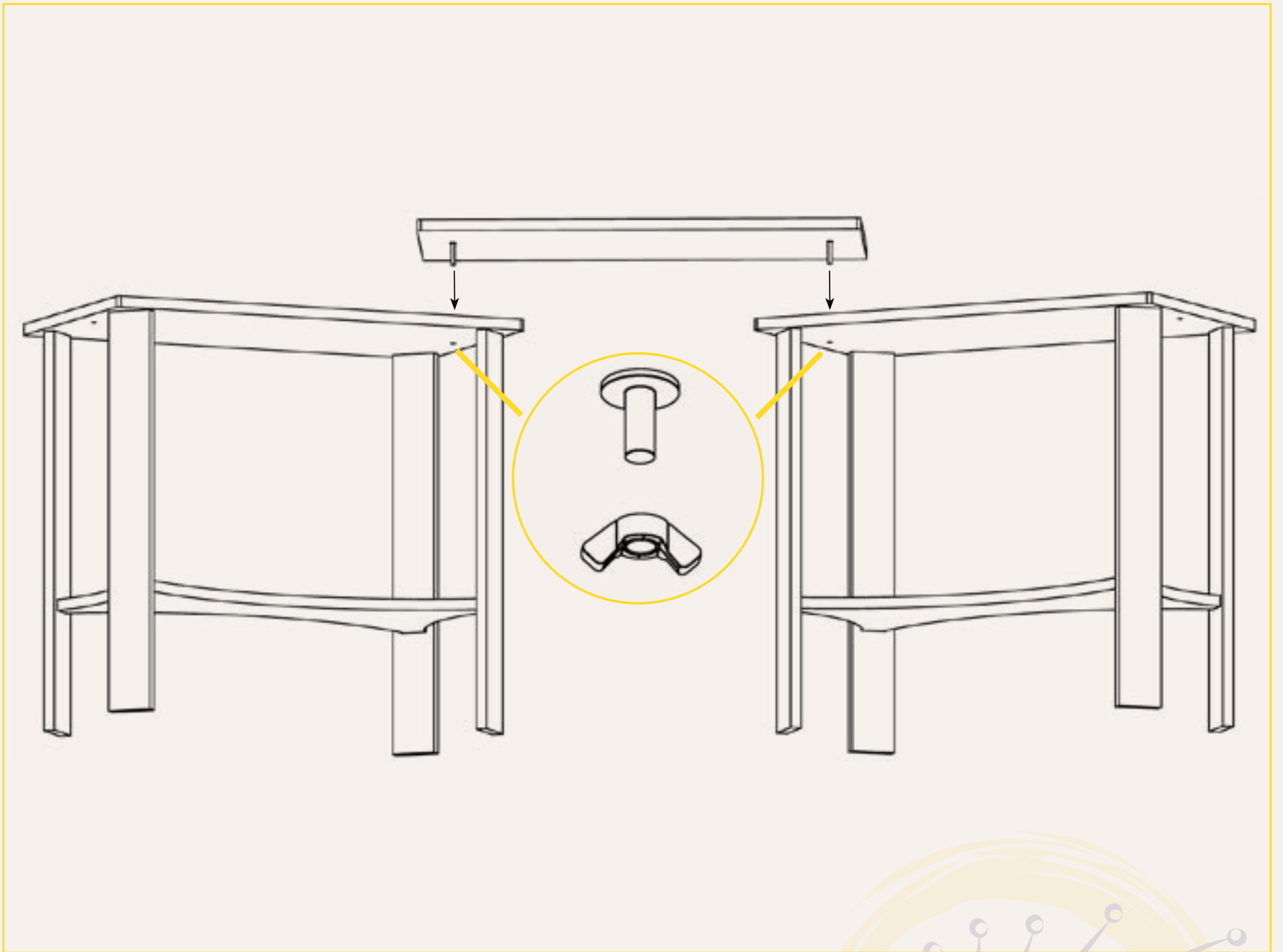
*If assembling Standalone Table, assembly is complete at this stage.*

# ASSEMBLY INSTRUCTIONS



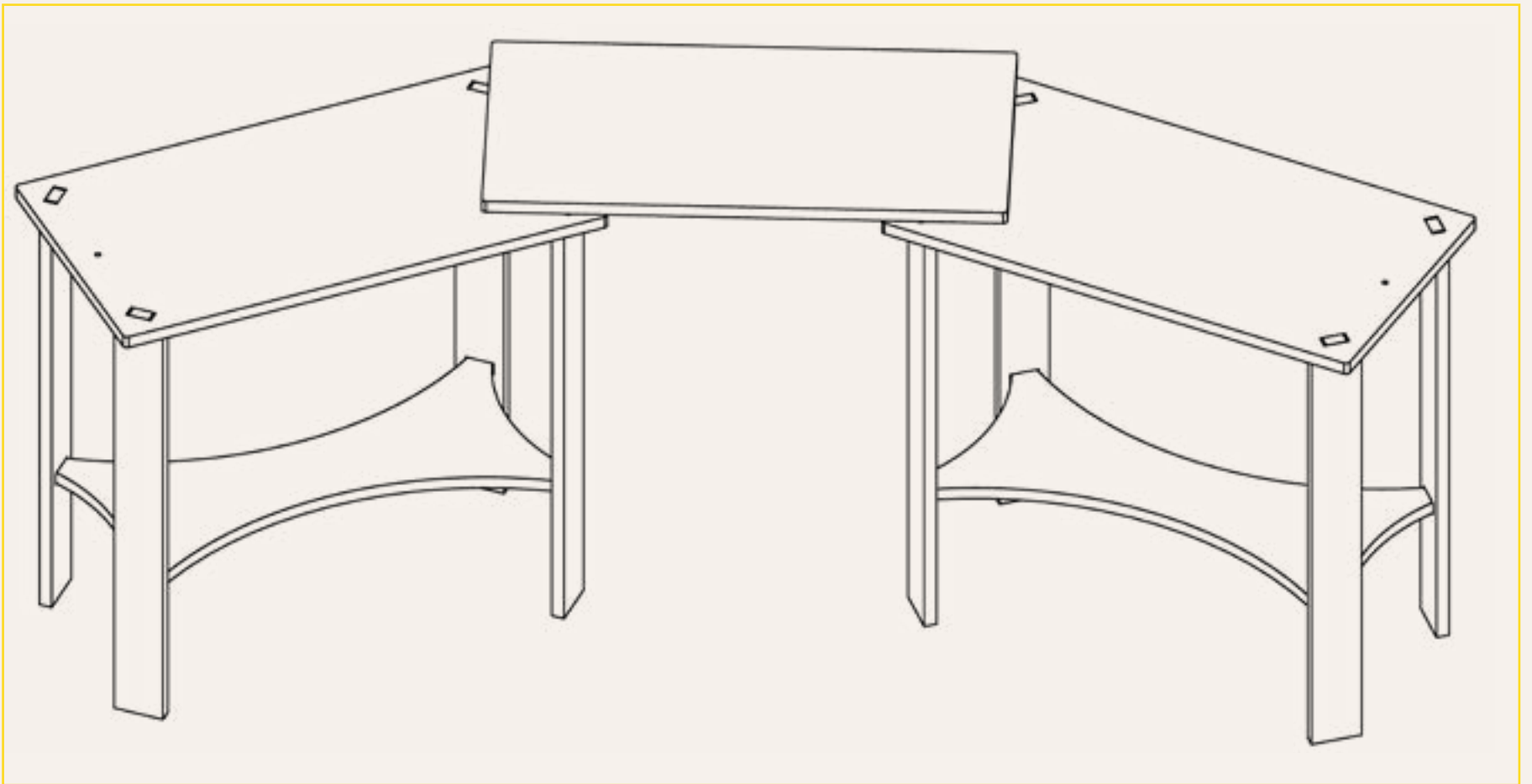
3. Insert the threaded studs (E) into the holes from the bottom of the connecting table (D) as shown.

# ASSEMBLY INSTRUCTIONS



4. Connect 2 tables with the table (D). Twist wing nuts and washers (F) by hand to secure the connections.

# ASSEMBLY INSTRUCTIONS



5. The assembly is complete.

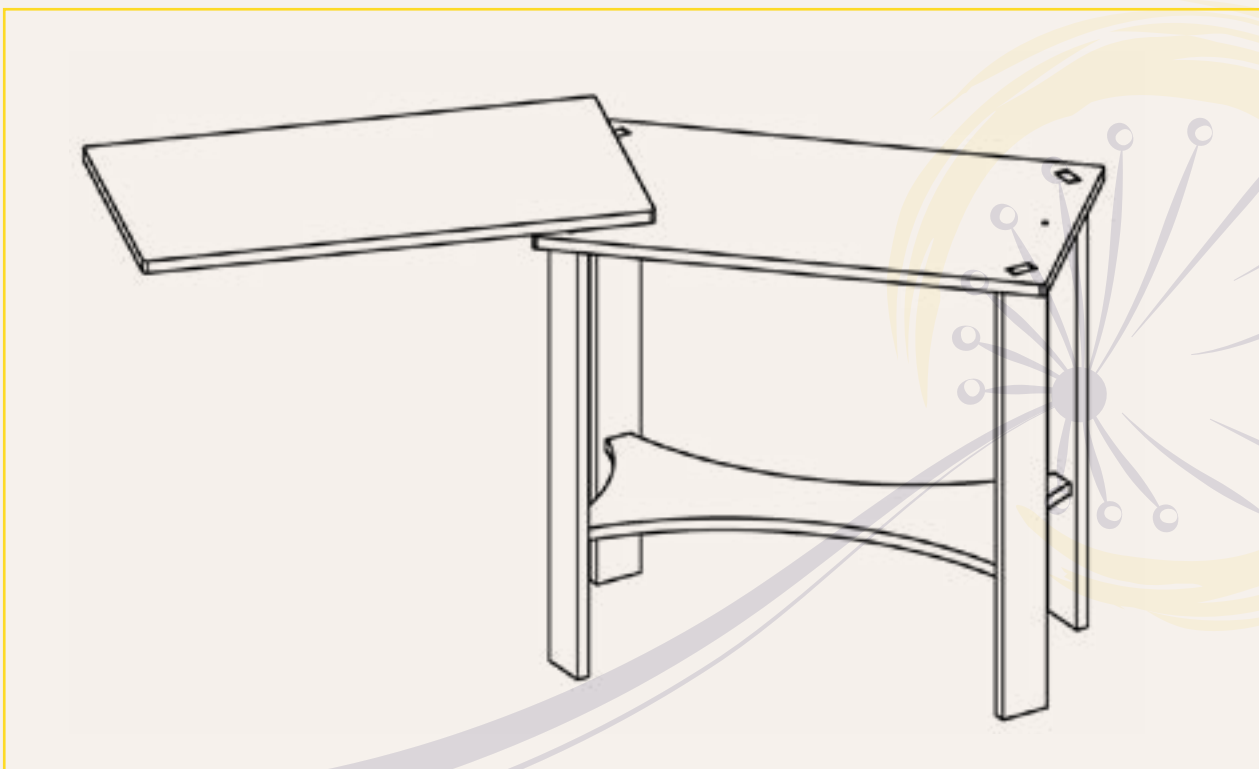


Table (D) may be used as an add-on to extend the table to suit your needs.

# ASSEMBLY INSTRUCTIONS



THANK YOU FOR SPREADING  
THE SEEDS OF SUSTAINABILITY  
AND HELPING TO PROTECT  
OUR PLANET.



HAVE A QUESTION? GET IN TOUCH WITH  
OUR DANDELION REPRESENTATIVES AT:  
888-257-6639

**CONTACT US**