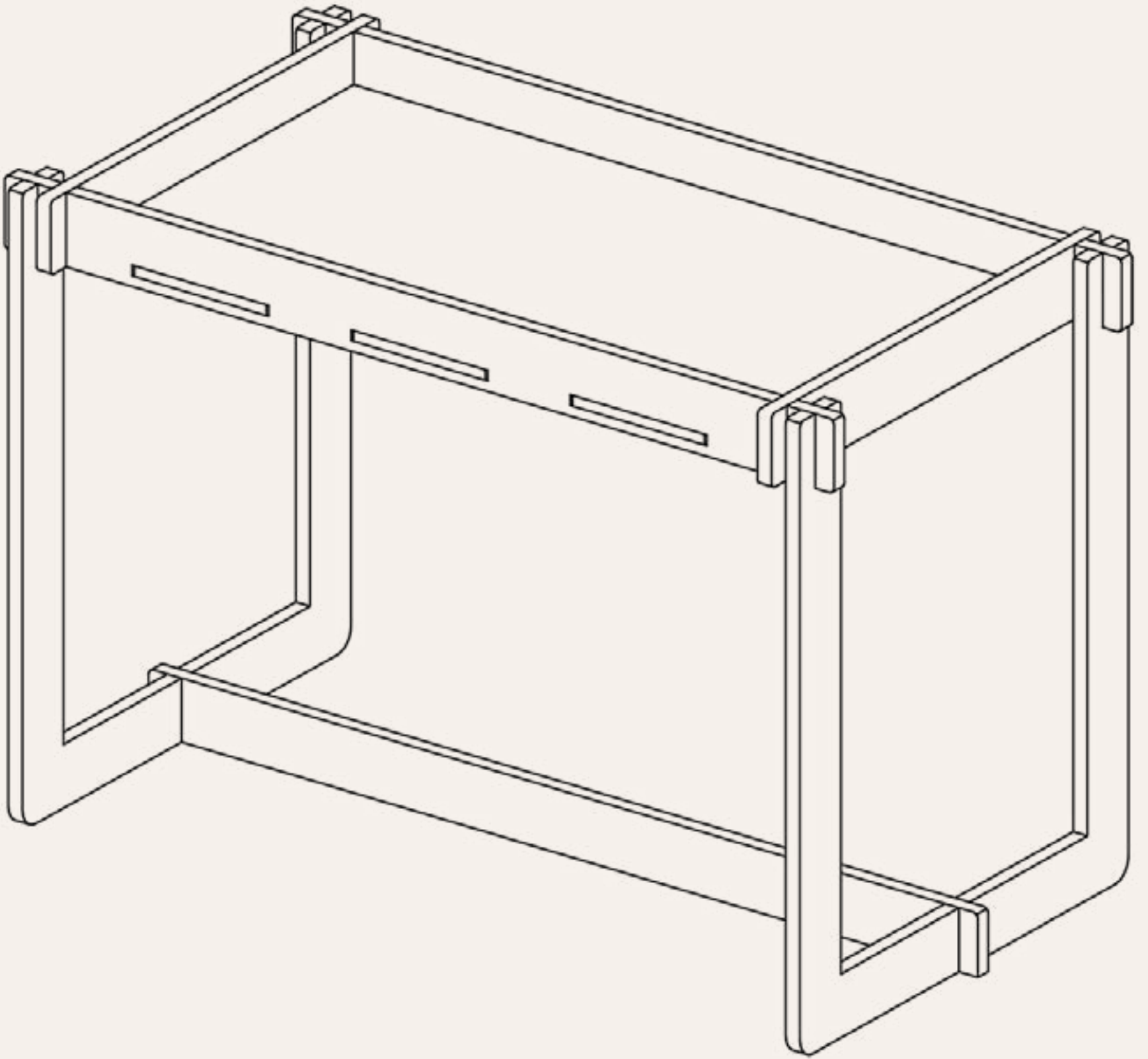


FLOURISH COLLECTION



SKU: DBDTAB1

Dump Table **USER GUIDE**

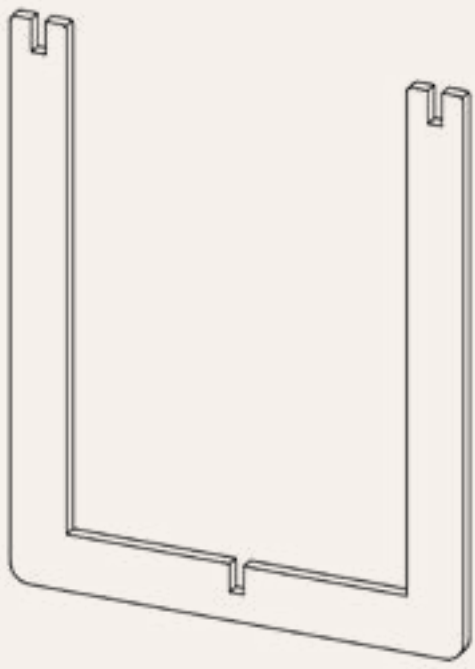
DANDELION

RESPONSIBLY CREATING BETTER PRODUCTS FOR A BETTER WORLD



Table of Contents

USER GUIDE



A. Table Legs x2



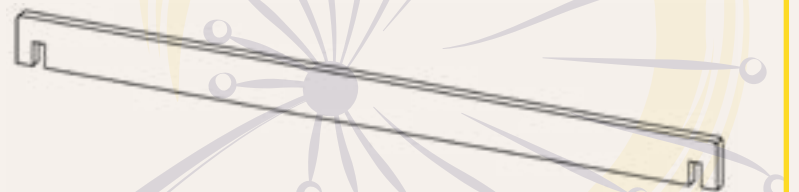
B. Sides x2



C. Slatted Sides x2

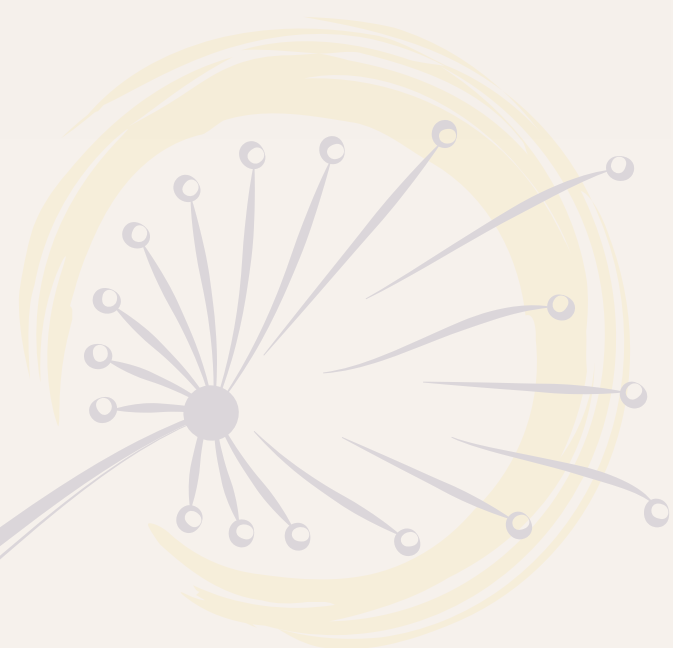
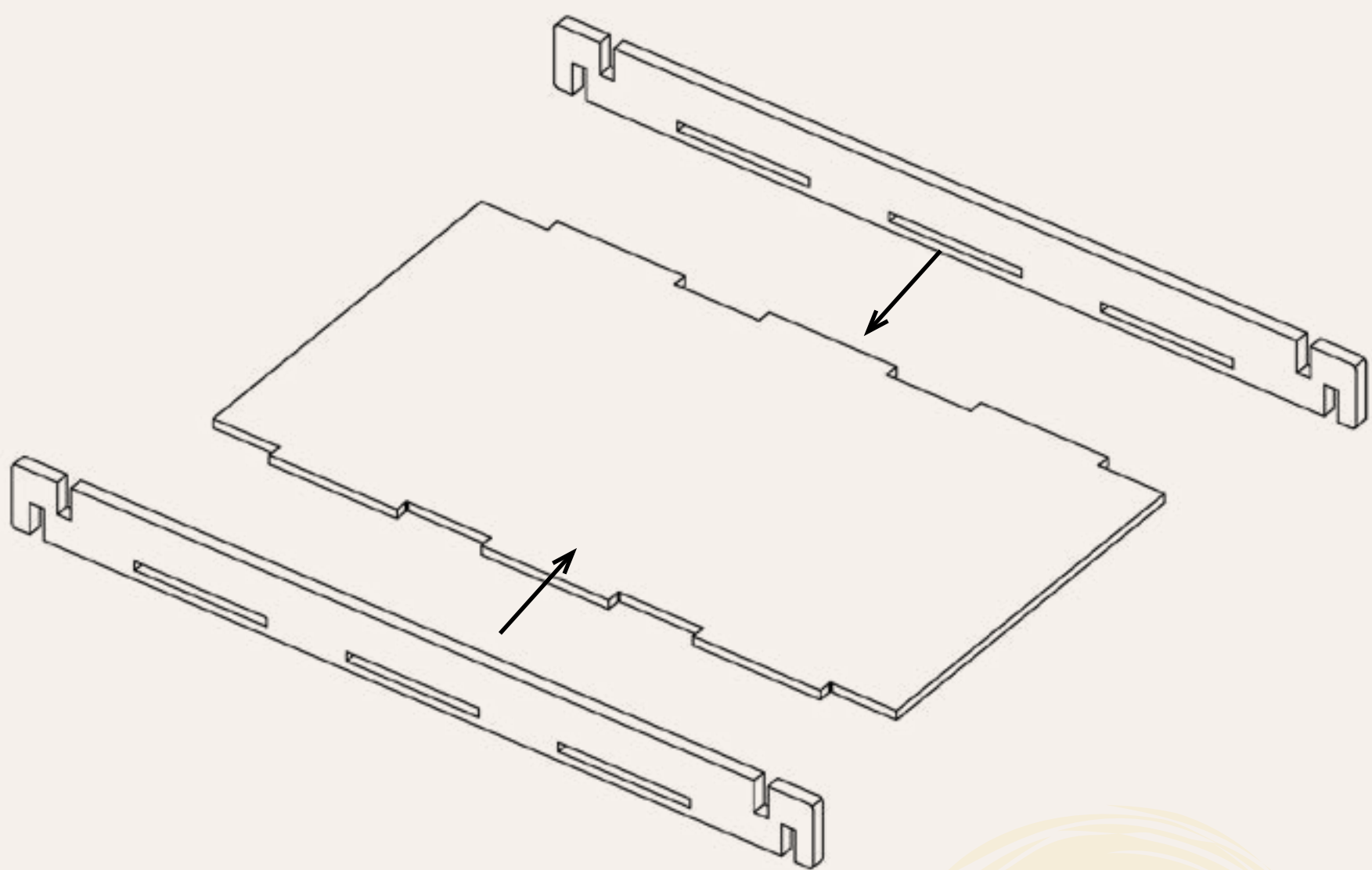


E. Tabletop x1



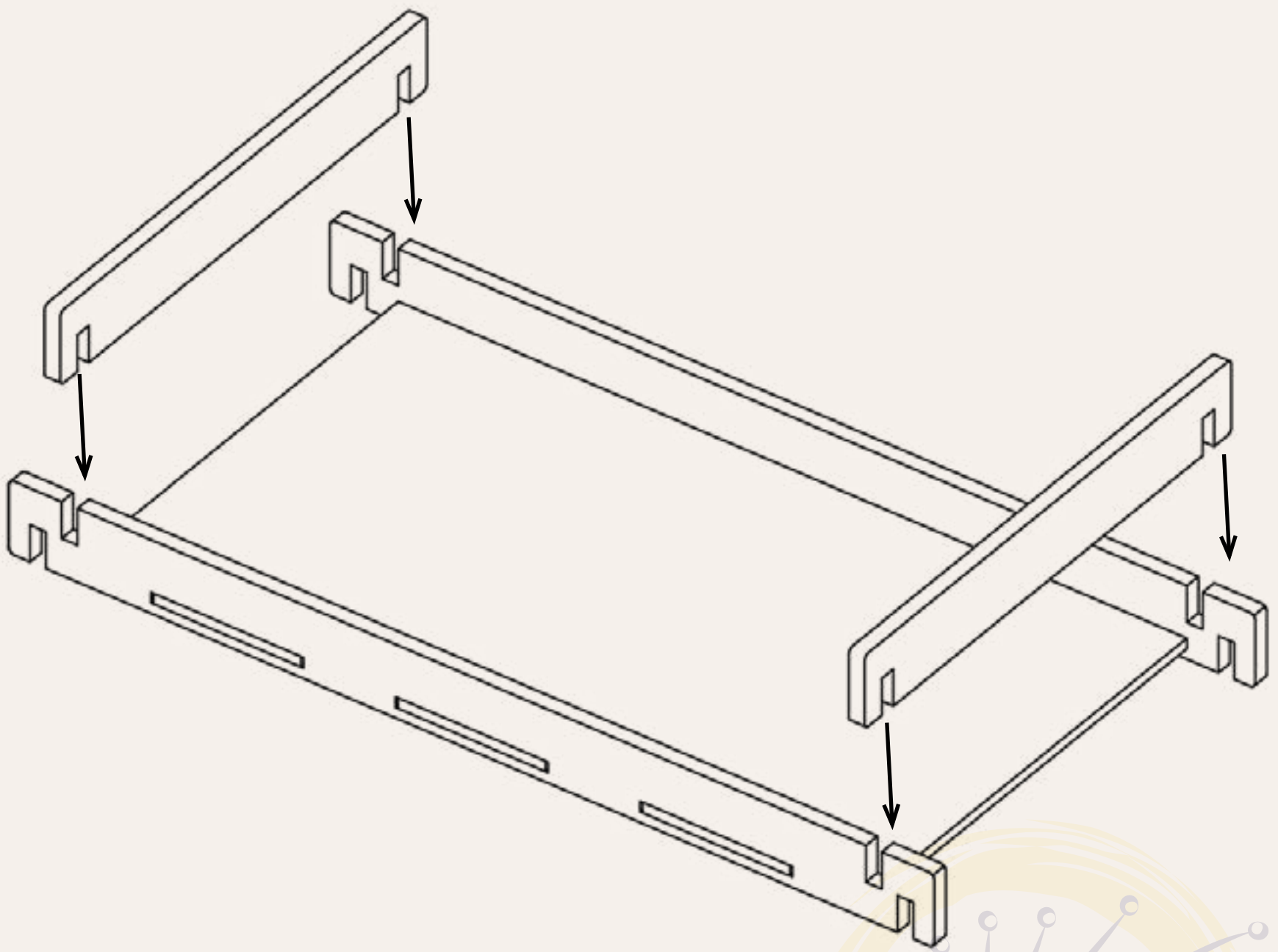
D. Base Support x1

PARTS DIAGRAM



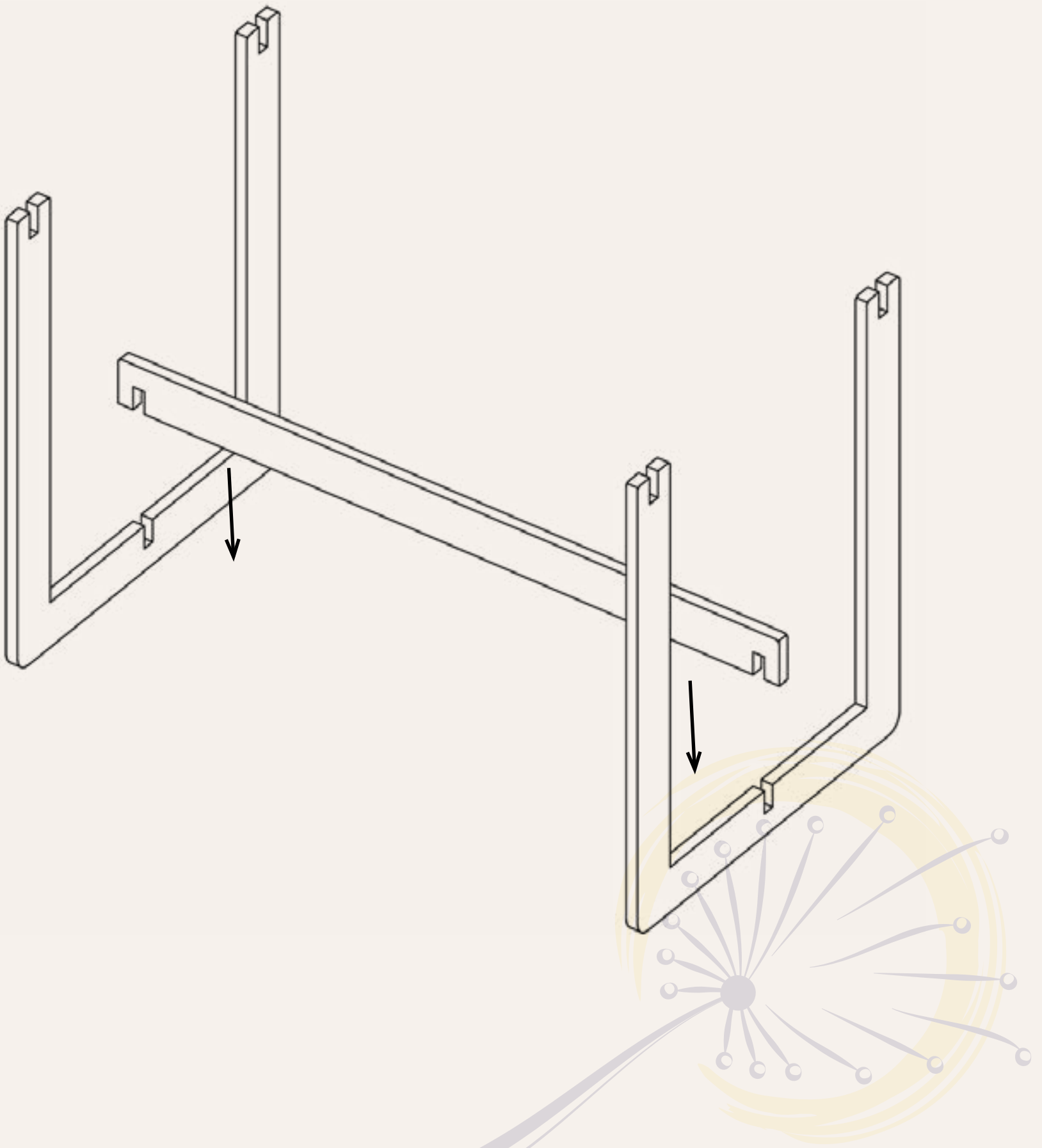
1. Press-fit slotted sides to fit against the tabletop. The slats will fit snugly to the shape of the tabletop.

ASSEMBLY INSTRUCTIONS



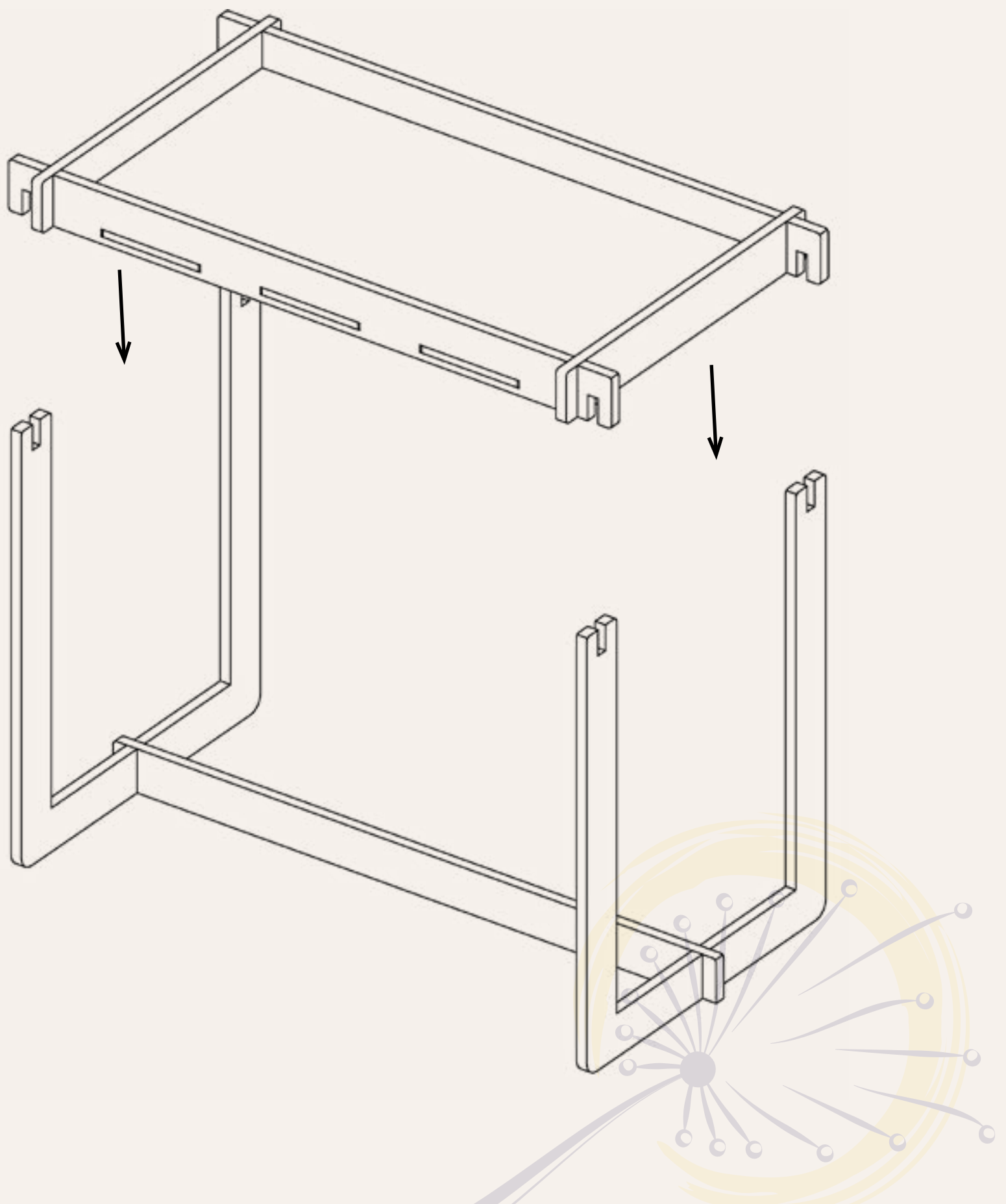
2. Slide table sides down to fit into notches on the slotted sides. Press-fit to ensure that the unit is snug and assembled securely.

ASSEMBLY INSTRUCTIONS



3. Press-fit support bar into table legs, as shown.

ASSEMBLY INSTRUCTIONS



4. Press tabletop down onto the legs. Notches will slot together to create a secure fit.

5. Assembly is finished.

ASSEMBLY INSTRUCTIONS

THANK YOU FOR SPREADING
THE SEEDS OF SUSTAINABILITY
AND HELPING TO PROTECT
OUR PLANET.



HAVE A QUESTION? GET IN TOUCH WITH
OUR DANDELION REPRESENTATIVES AT:
888-257-6639

CONTACT US