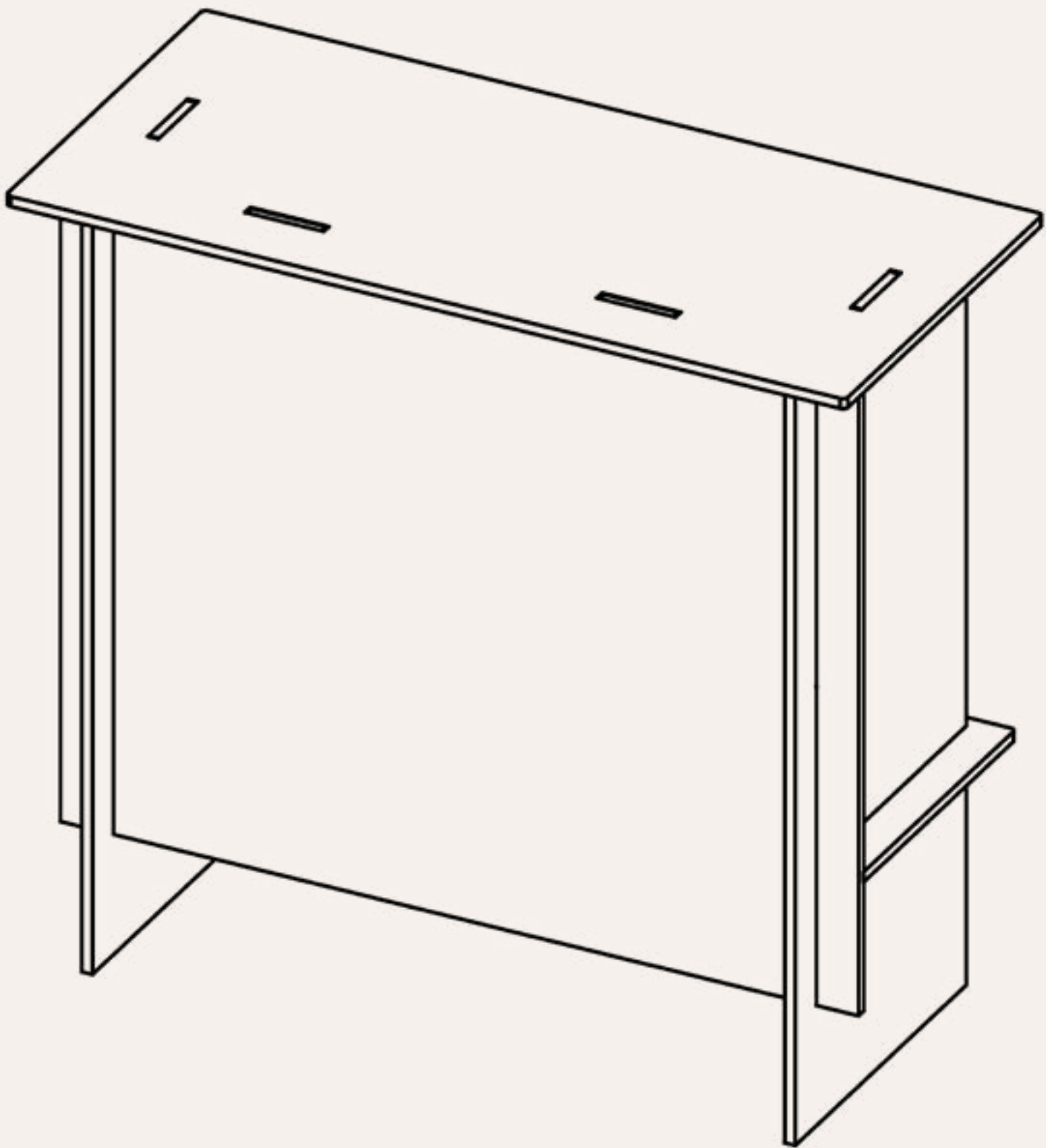


REVIVAL COLLECTION



SKU: DBPC1; DBPC1CP

Portable Counter **USER GUIDE**

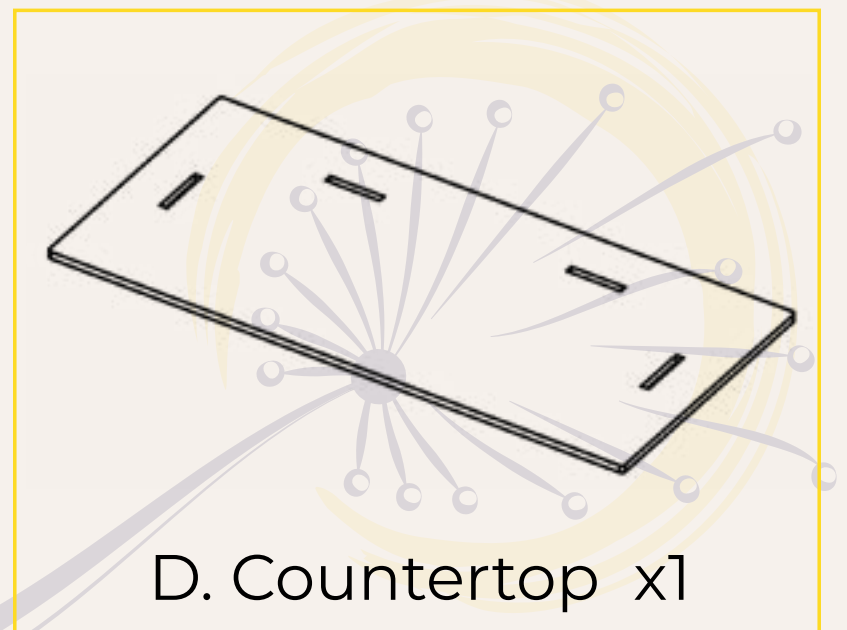
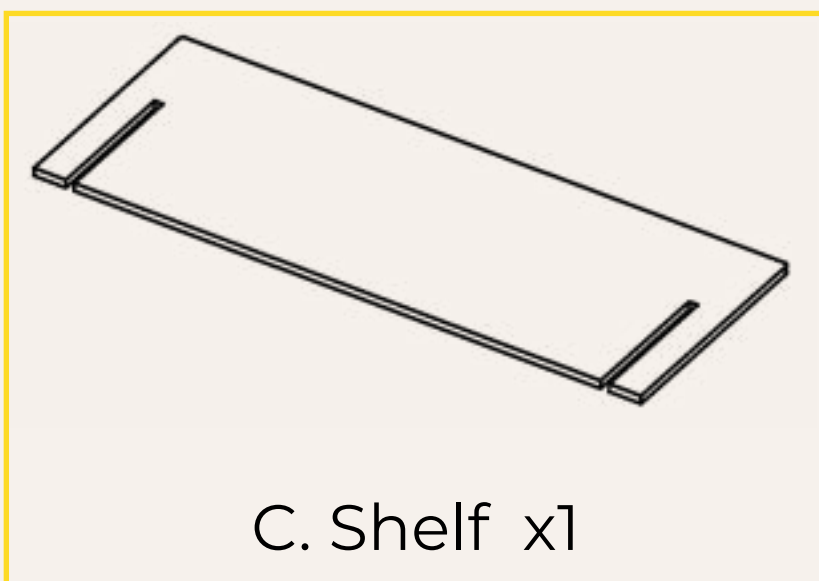
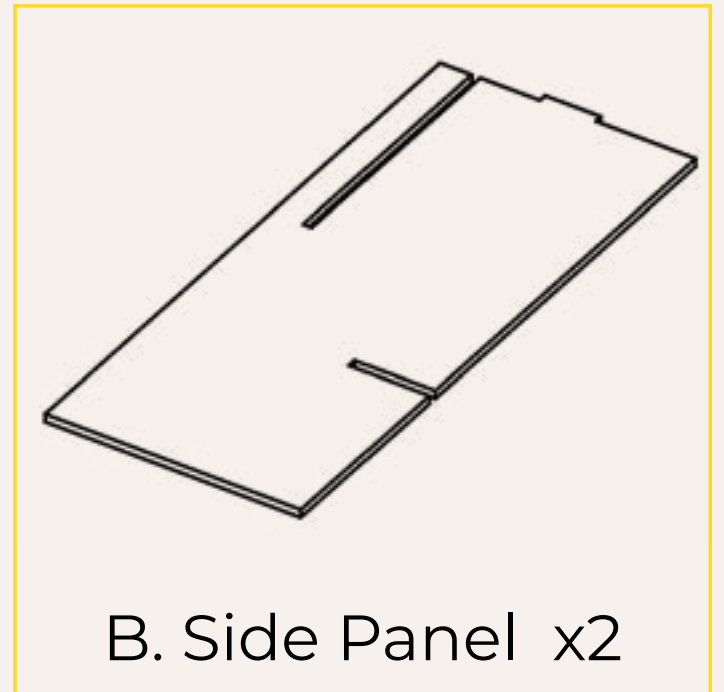
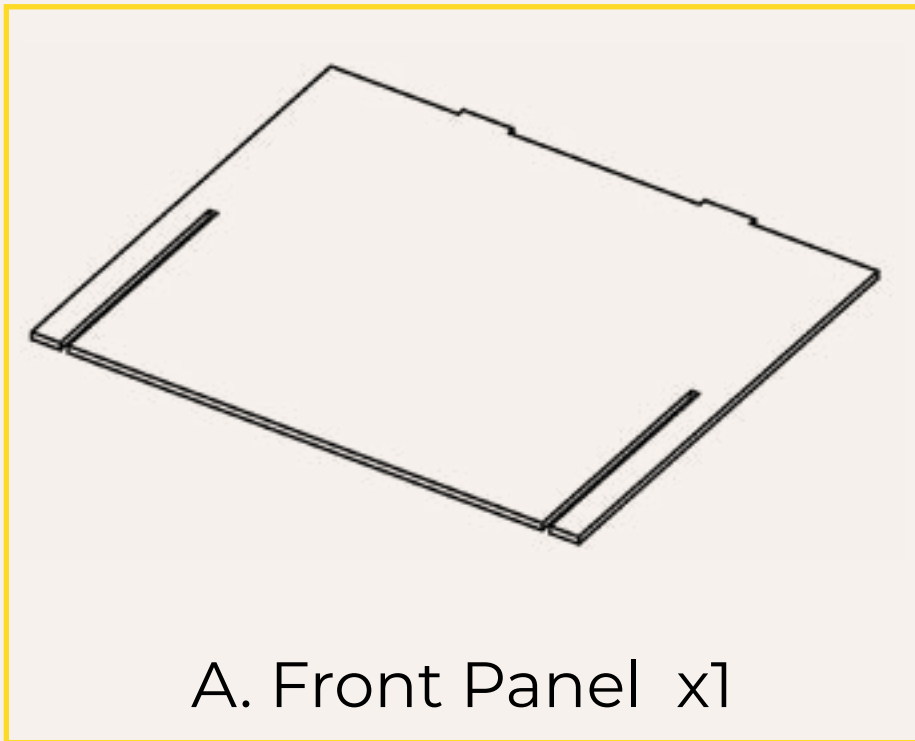
DANDELION

RESPONSIBLY CREATING BETTER PRODUCTS FOR A BETTER WORLD



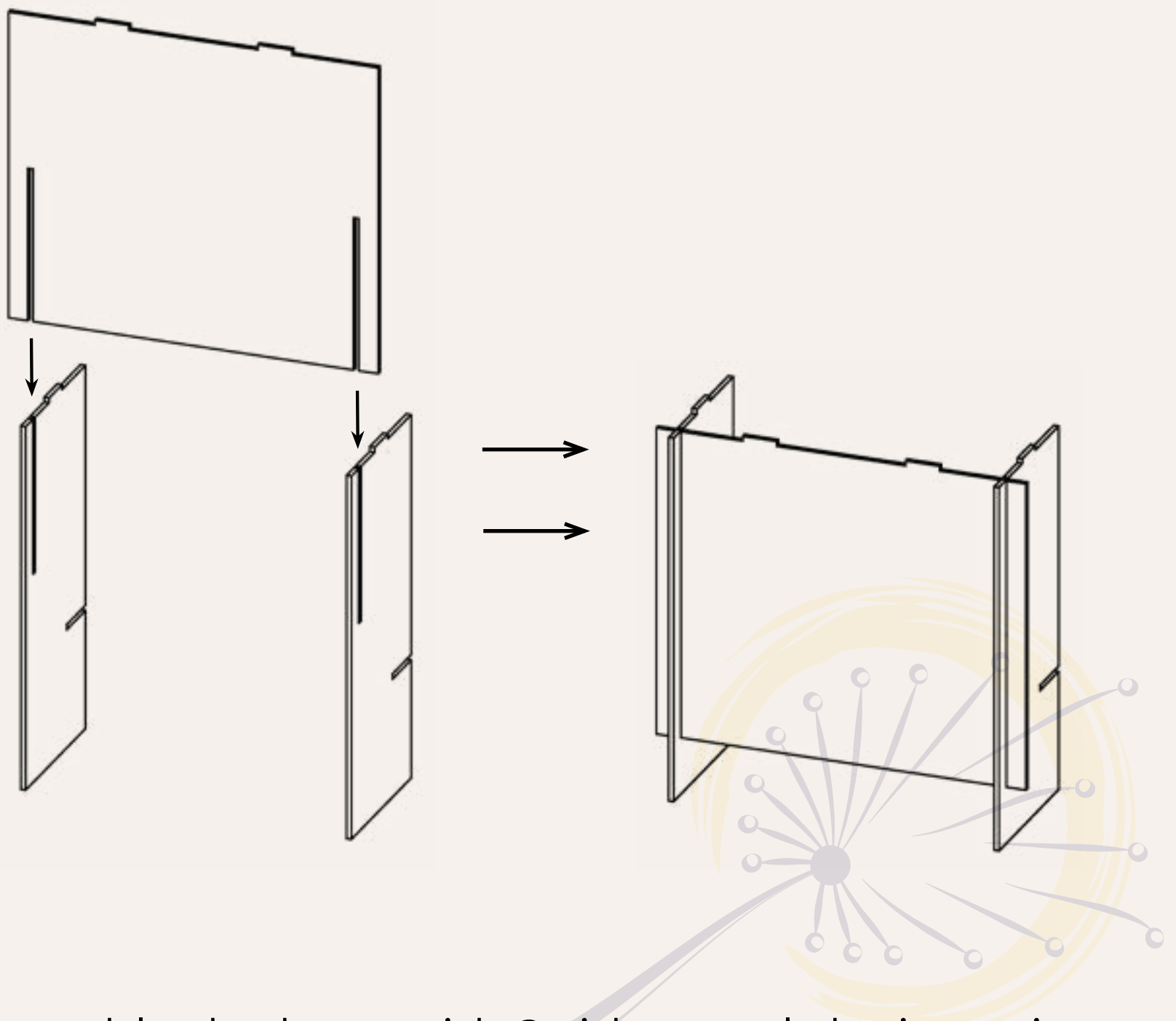
Table of Contents

USER GUIDE



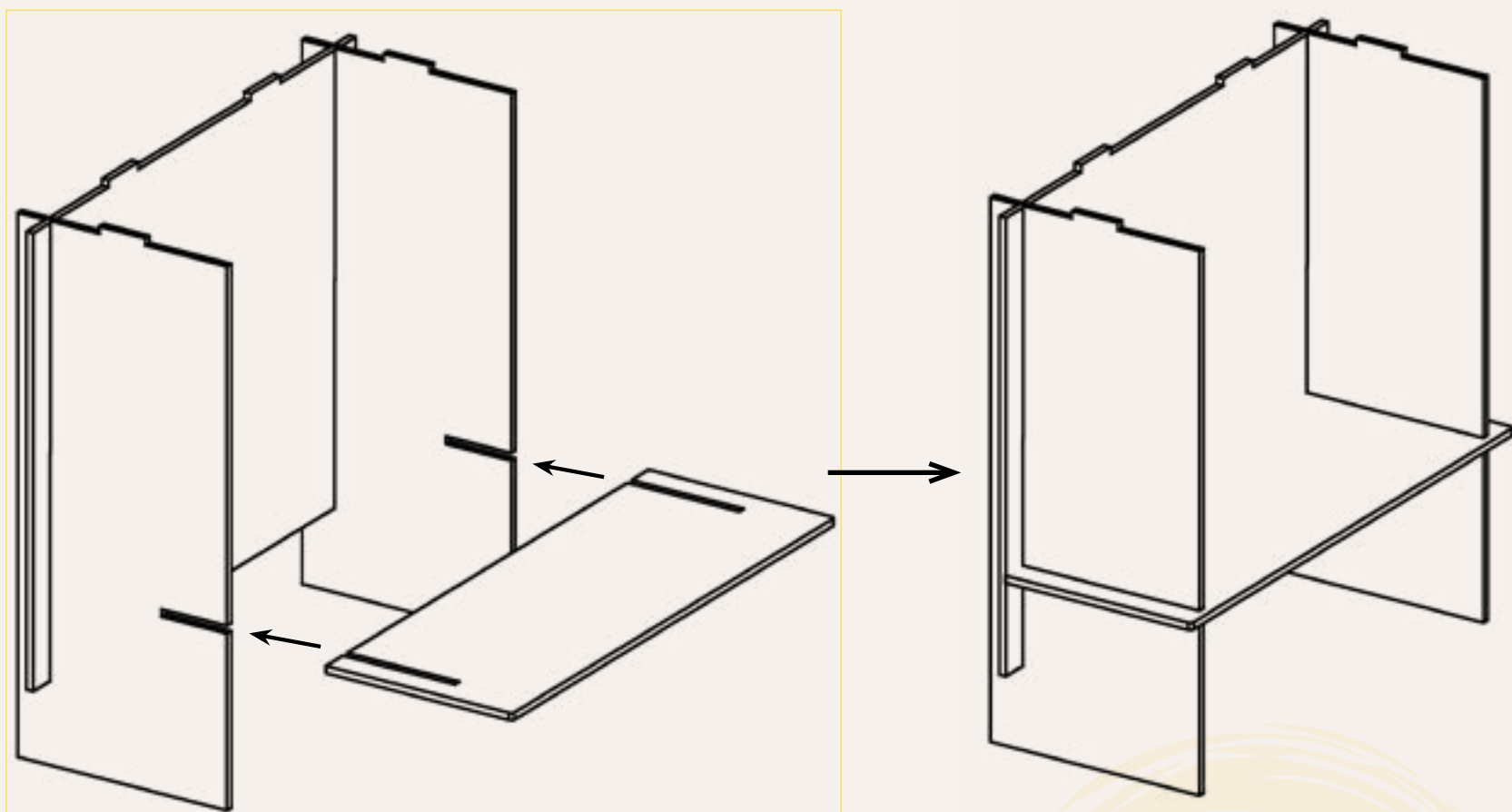
The use of a rubber mallet is recommended for assembling and disassembling wooden components.

PARTS DIAGRAM



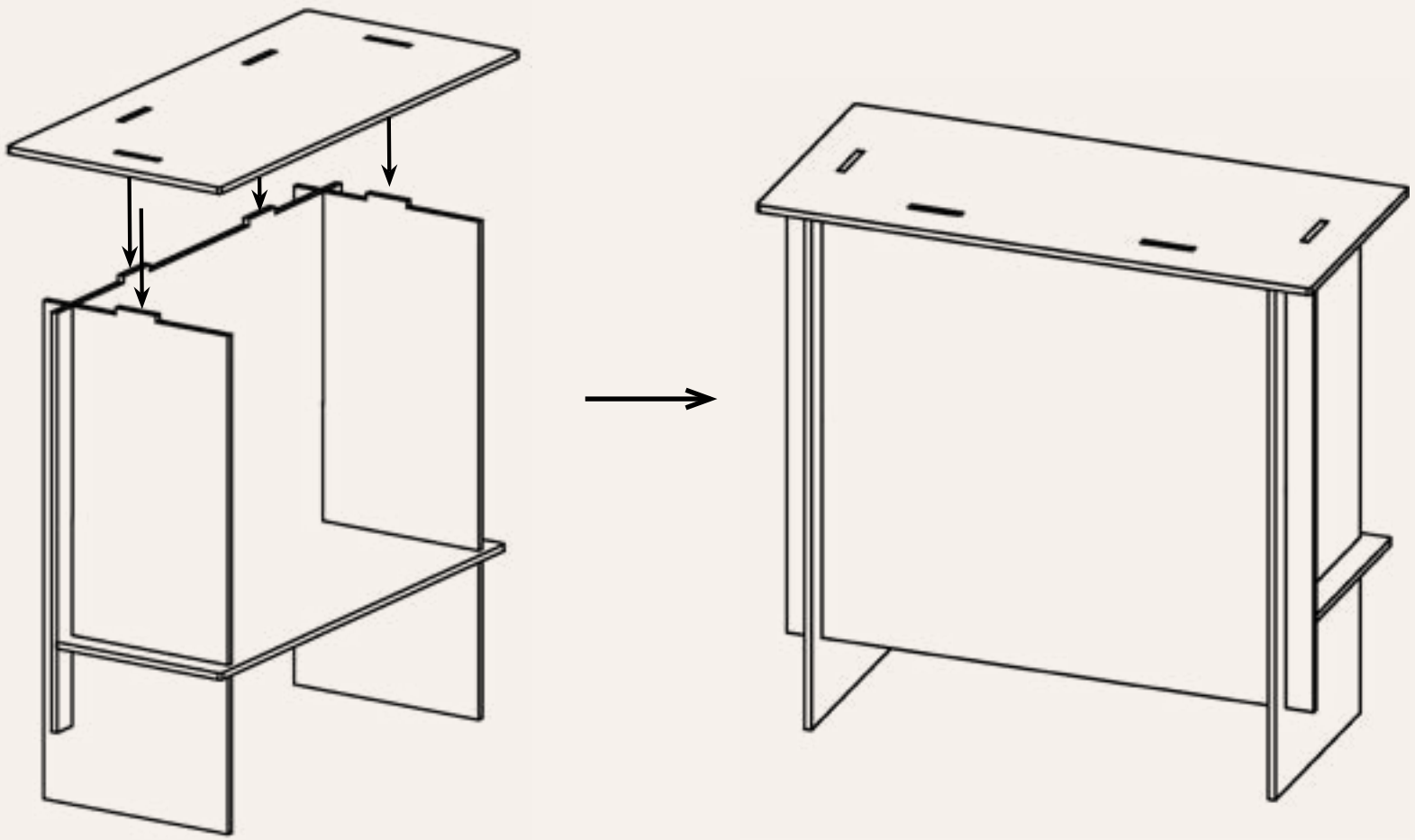
1. Assemble the base with 2 side panels by inserting slots on the front panel into the corresponding cutouts on the side panels.

ASSEMBLY INSTRUCTIONS



2. Slide the shelf panel into the counter from the back.

ASSEMBLY INSTRUCTIONS



3. Place the countertop onto the assembled base and align the cutouts with tabs on the top. Press down the countertop and insert each tab into the cutout to secure the unit.

The assembly is finished.

ASSEMBLY INSTRUCTIONS

THANK YOU FOR SPREADING
THE SEEDS OF SUSTAINABILITY
AND HELPING TO PROTECT
OUR PLANET.



HAVE A QUESTION? GET IN TOUCH WITH
OUR DANDELION REPRESENTATIVES AT:
888-257-6639

CONTACT US

7