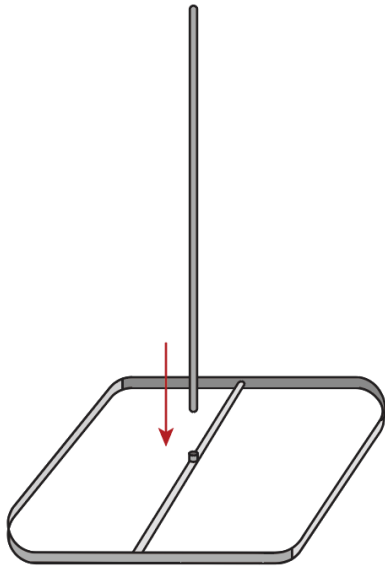


7' Funnel Display with Lighting Assembly Instructions

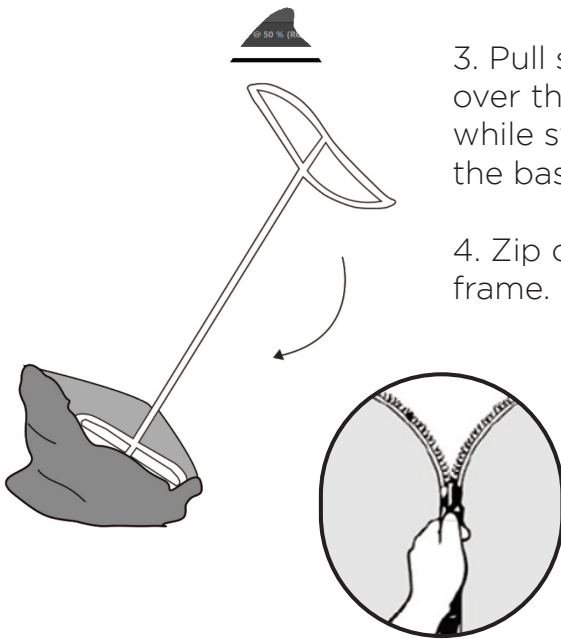
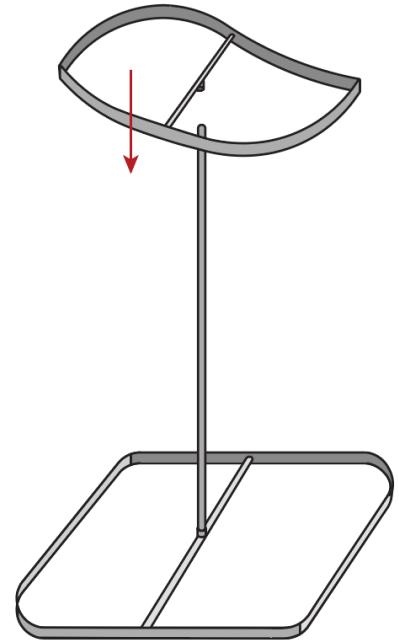
SKU: FNLDISPHW

POST UP STAND



1. Press fit the main pole down into the base, as shown at left.

2. Press fit the wavy top piece into the pole, as shown at right.



3. Pull stretch cover up and over the unit. Tip unit carefully while stretching cover over the base.

4. Zip cover closed over frame.



If you have any questions regarding our products, please visit us at www.postupstand.com or contact Post Up Stand customer service at 1-800-935-3534 .