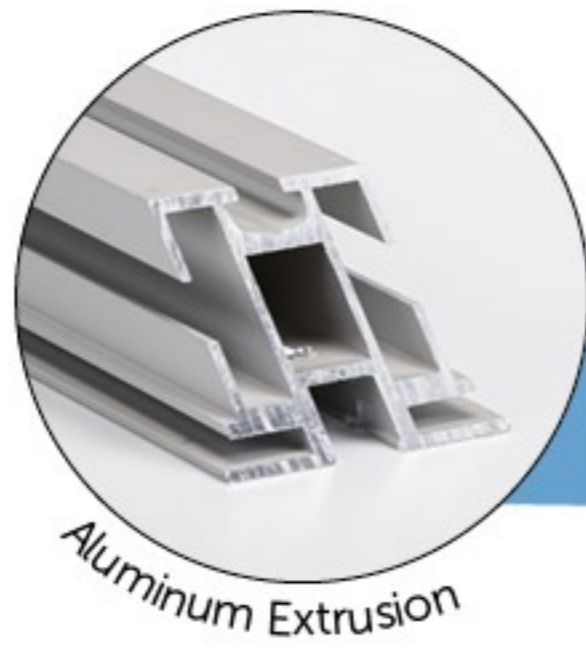
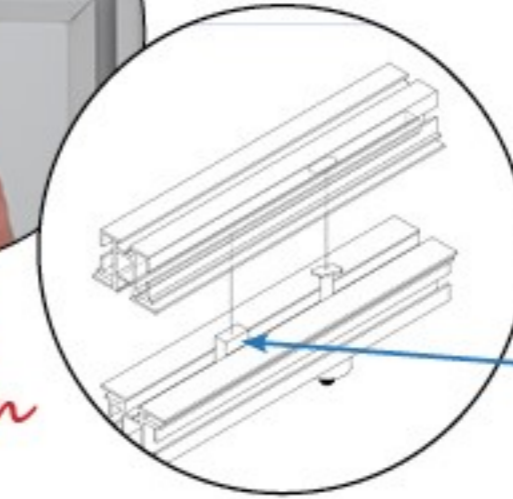


The Basic Building Blocks

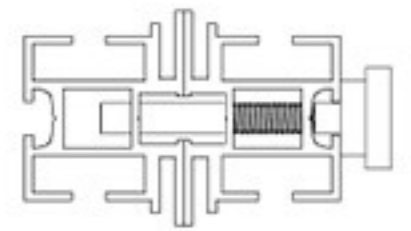
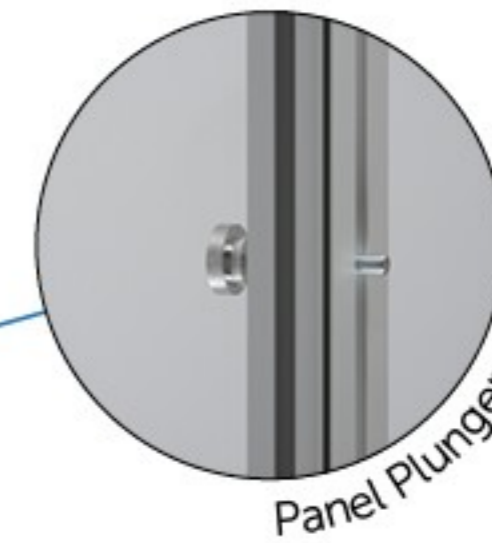
*No Loose Parts.
No Tools.
No Kidding.*



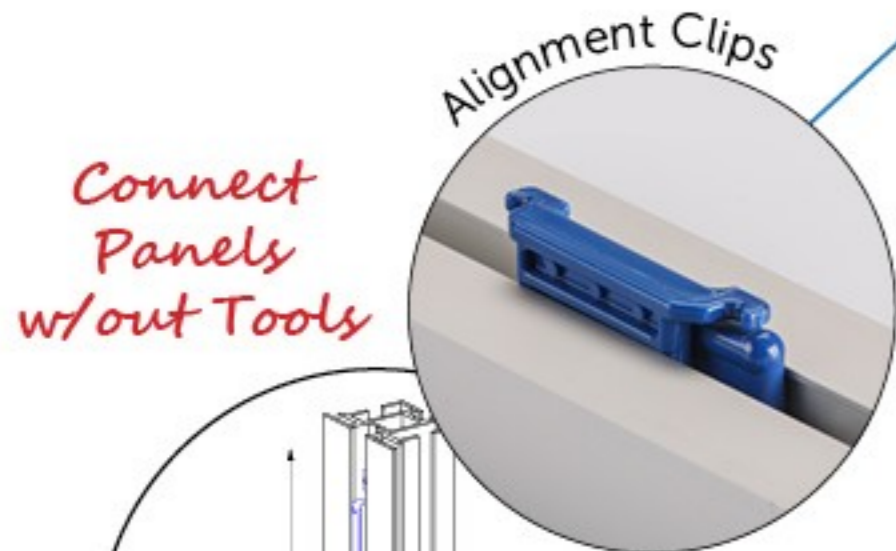
Vertical Connection



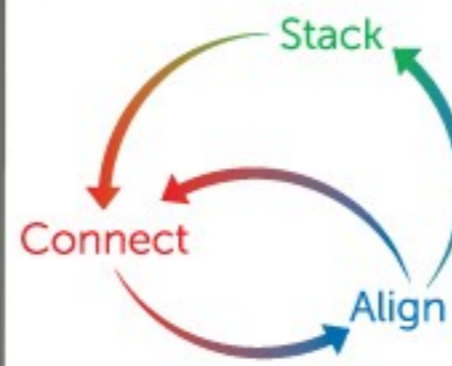
Alignment Block



Horizontal Connection



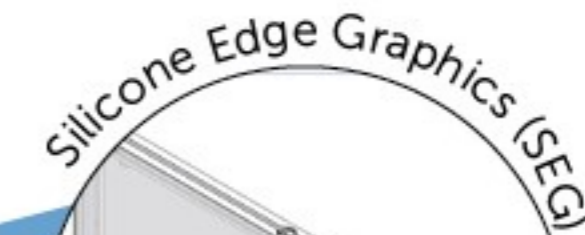
Connect Panels w/out Tools



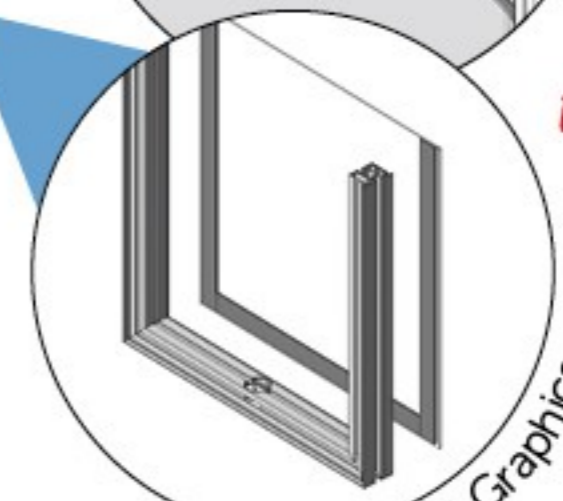
Fully Assembled Panels

Curved

Flat



Always Single OR Double-sided Panels



Seamless Silicone Edge Graphics

