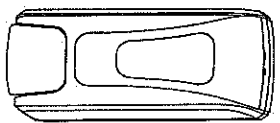


# MANUAL FOAM SOAP DISPENSER INSTALLATION

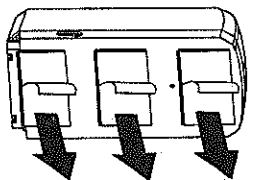


1X\*

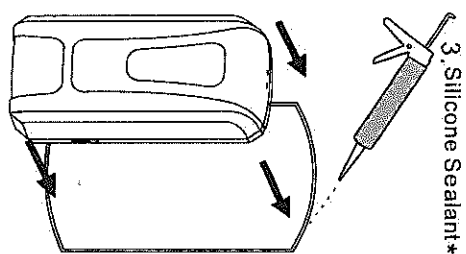


\* we have different shape but same installation.

## A Packing List



1. Double-sided adhesive\* (Optional)

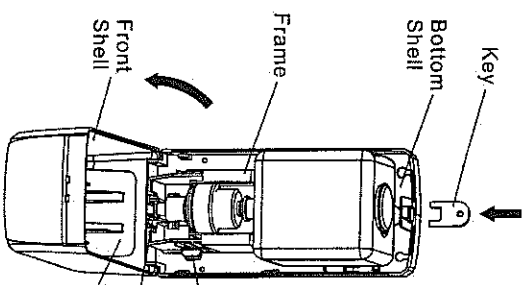


3. Silicone Sealant\*

2.

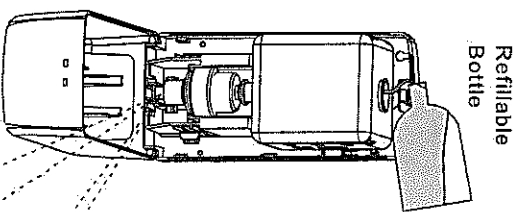
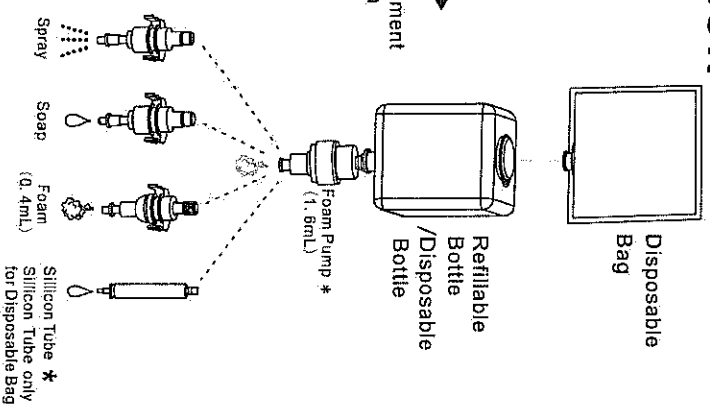
\* The standard Packing is not including Double-sided adhesive and Silicone sealant

## D Way for Sticker/without Screw

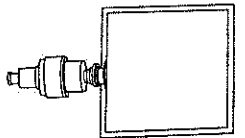


Different Pump for Different Liquid;  
 1. Spray: Sanitizer Liquid;  
 2. Soap: Gel or Soap Liquid;  
 3. Foam: Foam Liquid.

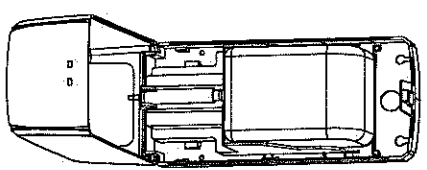
## B Part Name



Refillable Bottle

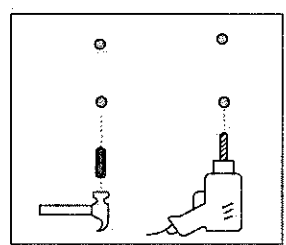
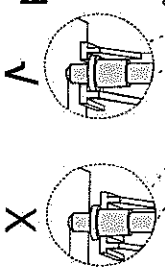


Disposable Bag

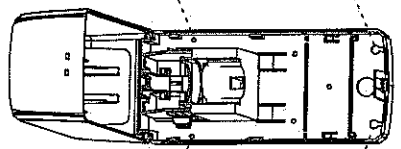


Disposable Bottle

## E Fill Liquid

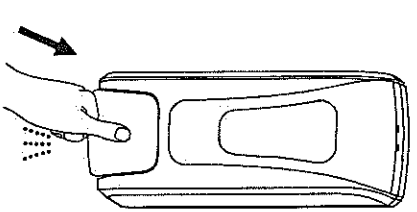


1. Drill hole (6mm Drill), and insert plug



2. fix screw

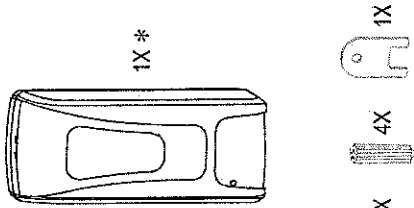
## C Way for Screw



Push to get Liquid

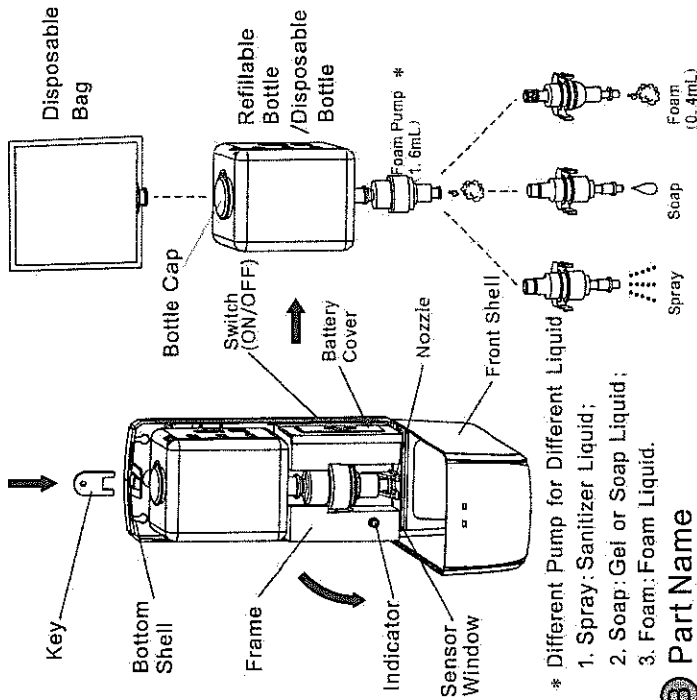
## F Enjoy hand sanitizing

# SENSOR FOAM SOAP DISPENSER INSTALLATION

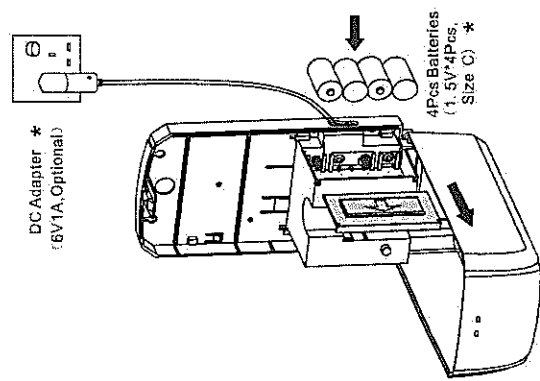


\* we have different shape but same installation.

## A Packing List

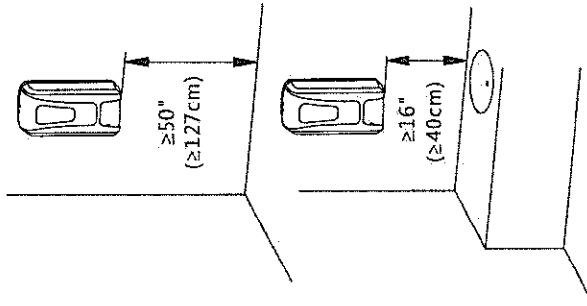


## B Part Name



\* The Standard Packing is not including DC Adapter and Batteries

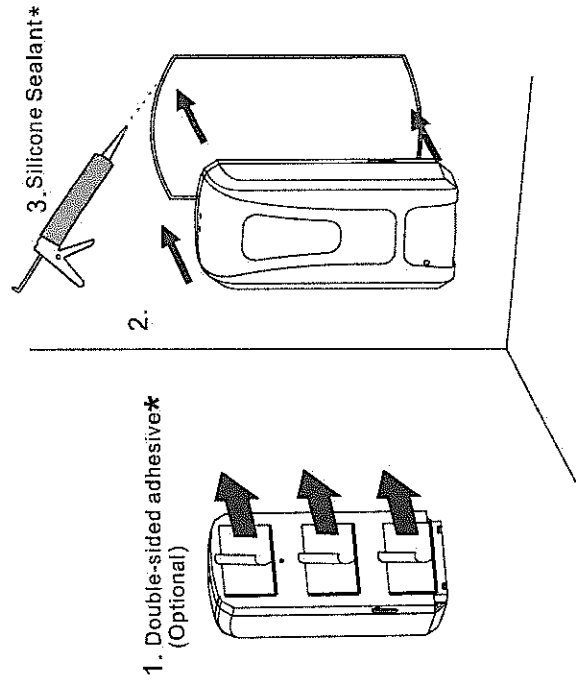
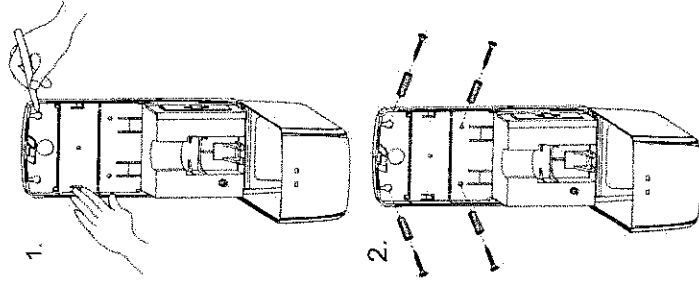
## E Install Batteries/DCAdapter



\* keep away from sunshine and humid place

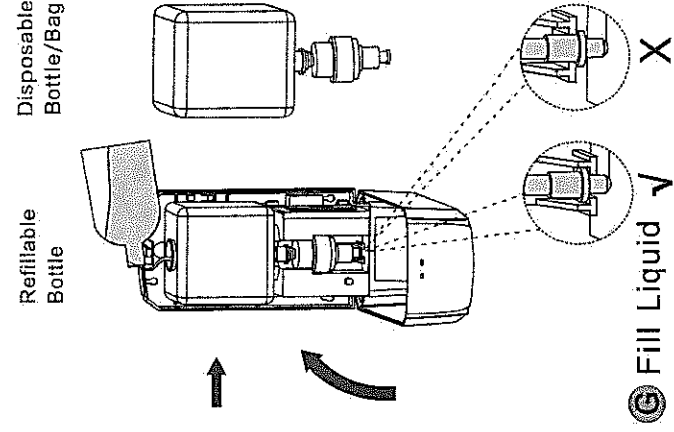
## C Height from Floor/Table

## D Way for Screw



\* The standard Packing is not including Double-sided adhesive and Silicone sealant

## F Installation with Adhesive Backing (no screws)



## G Fill Liquid

✓

## LED Light:

1. green color 5 seconds flush; working condition; and change;
2. red color 5 seconds flush; low power for battery sensor and remove it;
3. red color 2 seconds flush; something under sensor and remove it;

## H Infrared sensor (non-contact)

## I Enjoy hand sanitizing

