

# Assembly Instructions

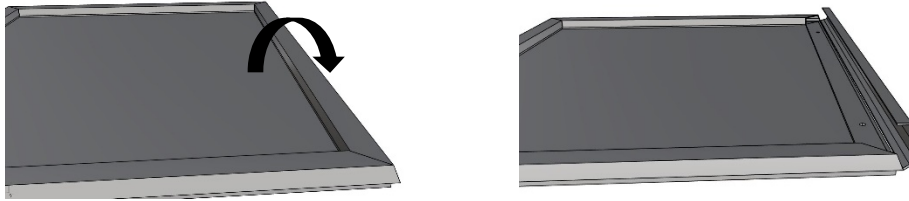
Attaching Hanging Bracket to Snap Frame Signs

SKU's: ABSFBHWSM & ABSFBHWLG

DISPLAYS2GO

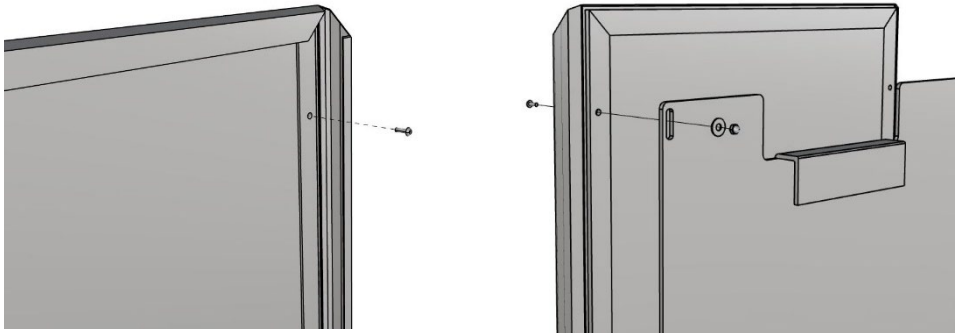
1

Snap open both long edges of the snap frame to expose the 4 holes in the frame for the screws to go through.



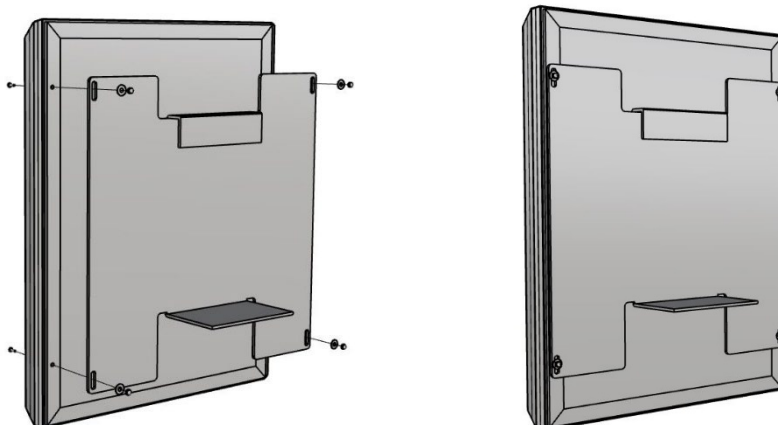
2

Thread (1) one screw through a hole in the snap frame and through the hanging bracket placed on the backside of the frame. Place (1) one small washer on the end of the screw and finish with (1) one cap nut.

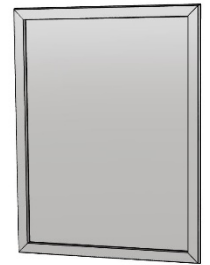


3

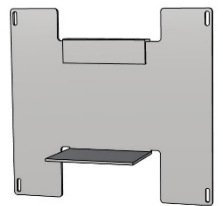
Repeat on all (4) four holes and tighten. Snap the long edges of the snap frame closed and hang frames on the rail.



Snap Frame



Hanging Bracket



Hardware

