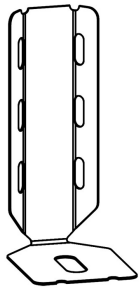
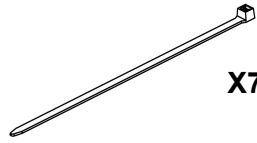


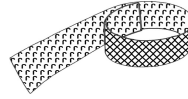
Parts List:



X1



X7



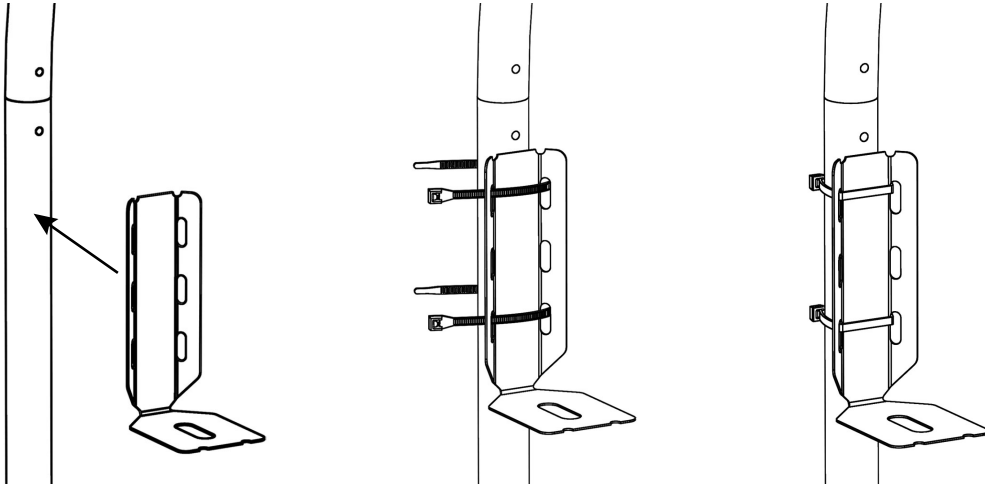
X1

Weight Capacity:

5 lbs. Maximum

1. Mount the bracket to the pole.

- a. Attach the bracket to the pole at desired height.
- b. Hold the bracket and insert 1 zip tie through the top set of holes then loop around the pole. Secure the bracket at place by tightening the zip tie behind the pole. Fix the bottom with another zip tie through the bottom set of holes the same way.

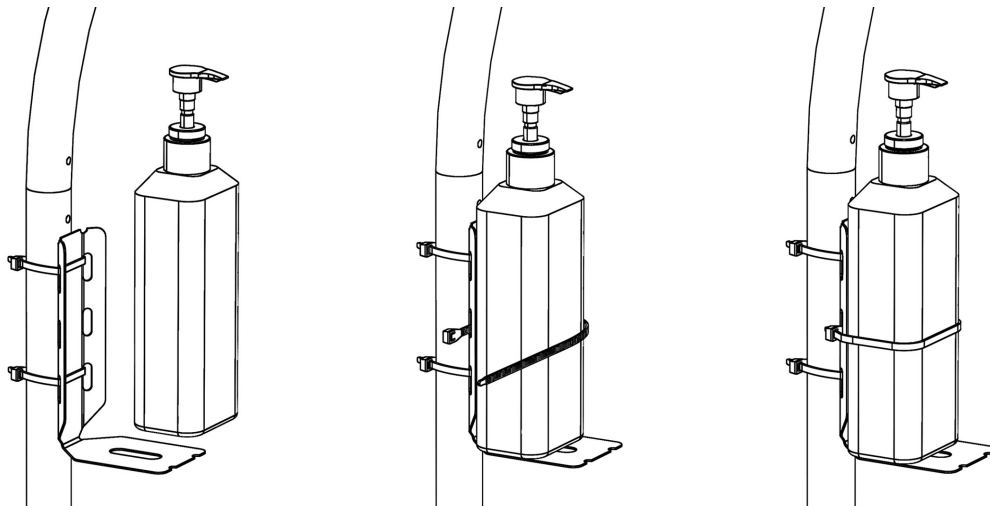


Tip:

Use the hook and loop strip included to help hold the bracket in place for easy mounting.

2. Fix the sanitizer dispenser onto the bracket.

- a. Place the sanitizer dispenser on the mounted bracket.
- b. Loop 1 zip tie around the dispenser and through the middle set of holes on the bracket. Tighten the zip tie to secure the dispenser.
- c. Check the bracket and dispenser to make sure they are attached firmly. Remove the unwanted section of zip ties.



Scan QR code to visit the product page:



To replace the dispenser:

Cut the middle zip tie to release the empty container and repeat STEP 2.b to attach a new dispenser.

To reuse the bracket:

Cut the zip ties and attach the bracket to a new location using the extra zip ties included. (STEP 1)