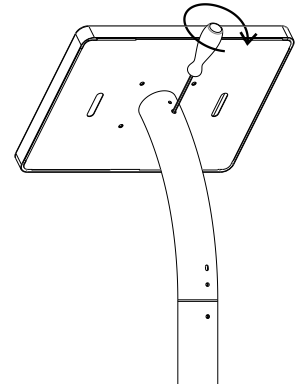
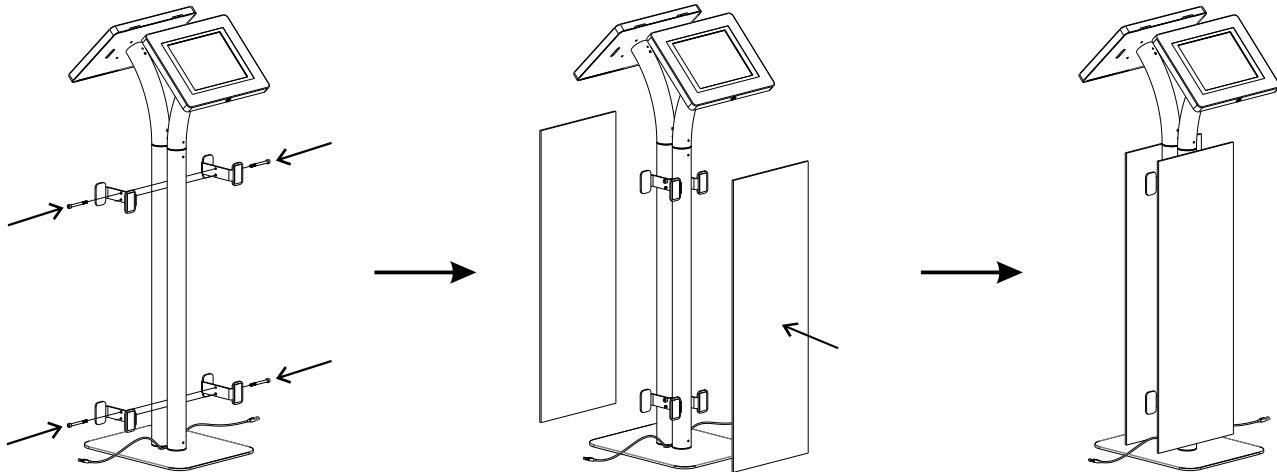


360° Rotation

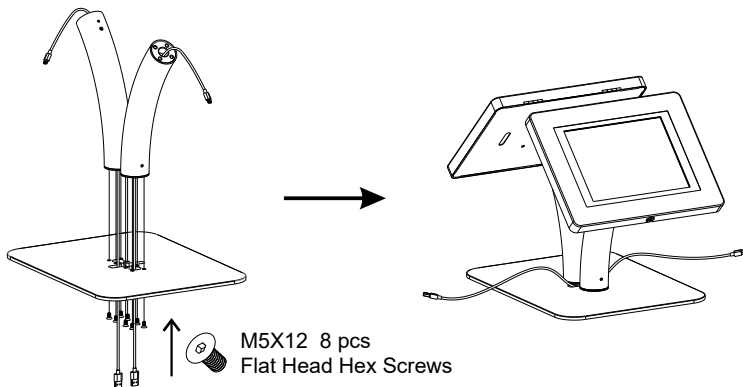


To lock the enclosure in place, use a screwdriver to tighten the screw clockwise at top as shown.

How to add banner panels



To use as a tabletop stand, remove the straight tubes and mount the bended tubes directly to the base plate.



Scan QR code to visit the product page:



If you have any questions regarding our products, please visit us at www.displays2go.com or contact D2G customer service 844-221-3388.