
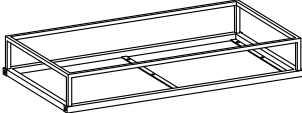
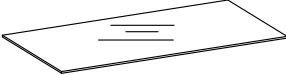


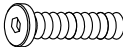




ASSEMBLY INSTRUCTIONS

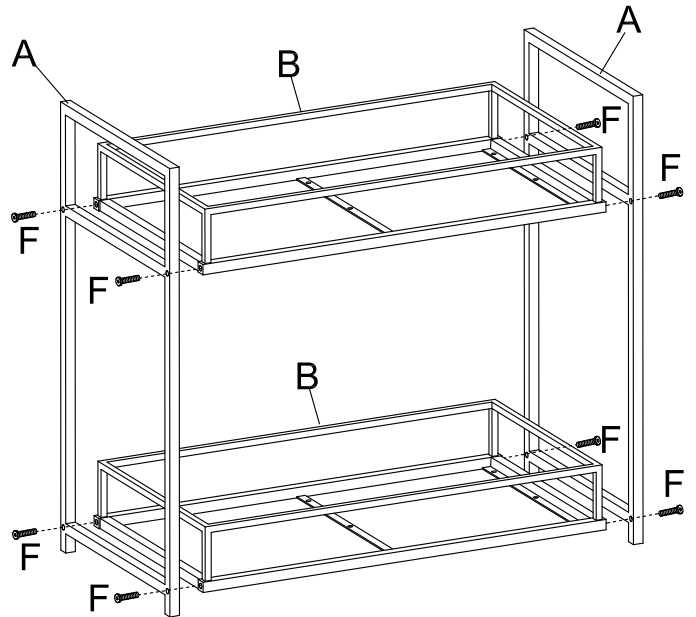
FSBEVCART1 - Rectangle Beverage Cart with Mirror & Wheels

V20.04

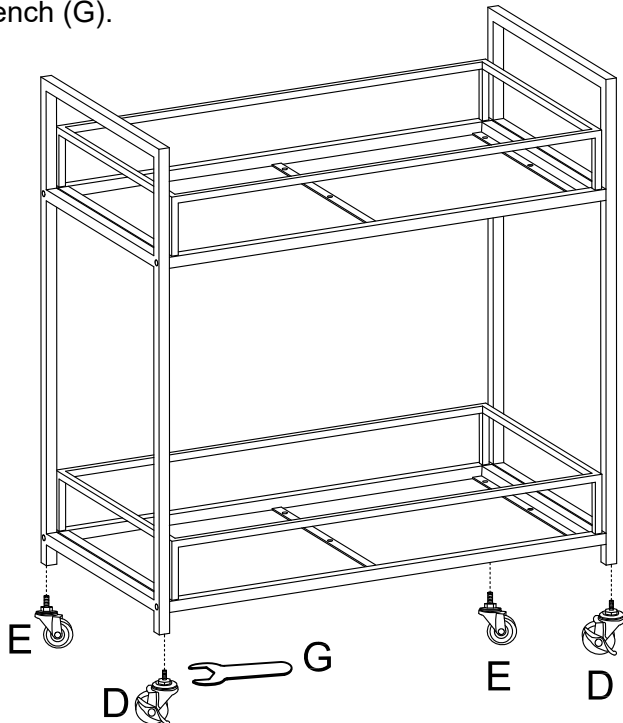
Parts List

 A×2PCS	 B×2PCS
 C×2PCS	 D×2PCS
 E×2PCS	 F×8PCS
 10mm G×1PC	 H×2PCS

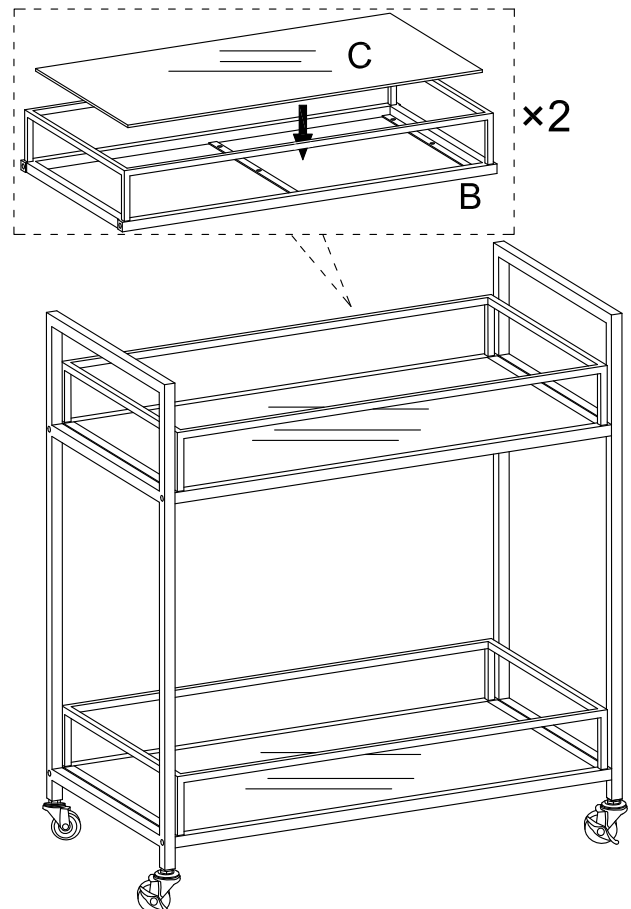
Step 1. Assemble the Side Frames (A) with Shelves (B) by using Screws (F). Securely tighten Screws using included Hex Wrench (H).



Step 2. Screw Casters (D and E) into the threaded holes on the bottom and tighten them with provided Wrench (G).



Step 3. Carefully place one Mirror (C) inside the bottom of Shelf (B). Assemble another Mirror the same way. The assembly is finished.



Scan QR code to visit the product page:



If you have any questions regarding our products, please visit us at www.displays2go.com or contact D2G customer service 844-221-3388

DISPLAYS2GO