

ASSEMBLY INSTRUCTIONS

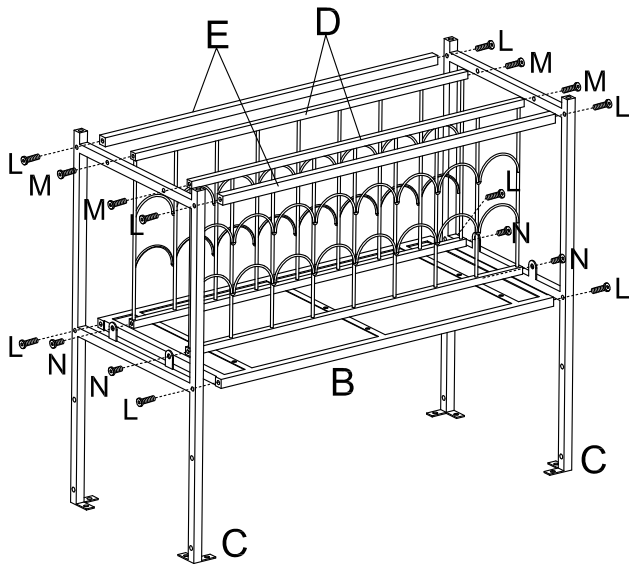
FSBEVCART2 - Wood Beverage Cart with Wine Rack & Wheels

V20.04

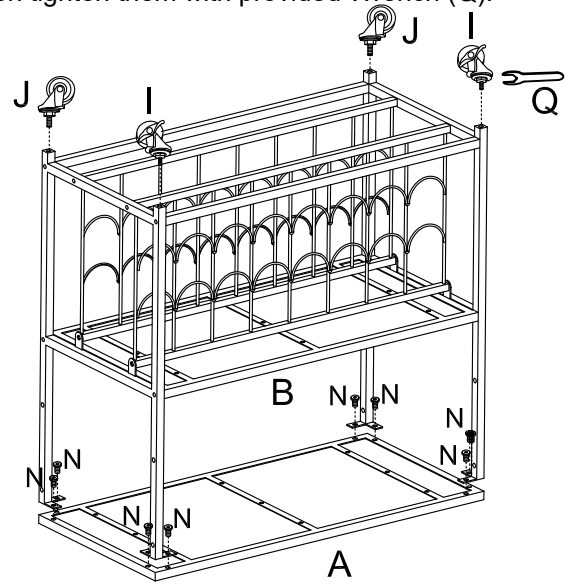
Parts List

A×1PC	B×1PC	C×2PCS	D×2PCS	E×2PCS
F×4PCS	G×2PCS	H×4PCS	I×2PCS	J×2PCS
K×8PCS	M8×25mm L×8PCS	M6×25mm M×12PCS	M6×10mm N×12PCS	6mm O×1PC
				8mm P×1PC
				10mm Q×1PC
				8mm R×1PC

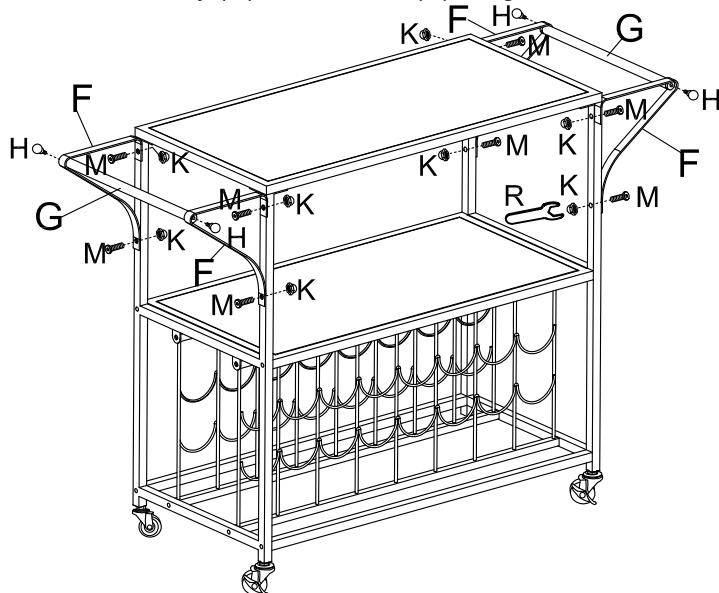
Step 1. Assemble Side Frames (C) with Wine Racks (D), Middle Shelf (B) and Metal Bars (E) by using Screws (L, M, N) and included Hex Key (O, P) as shown below.



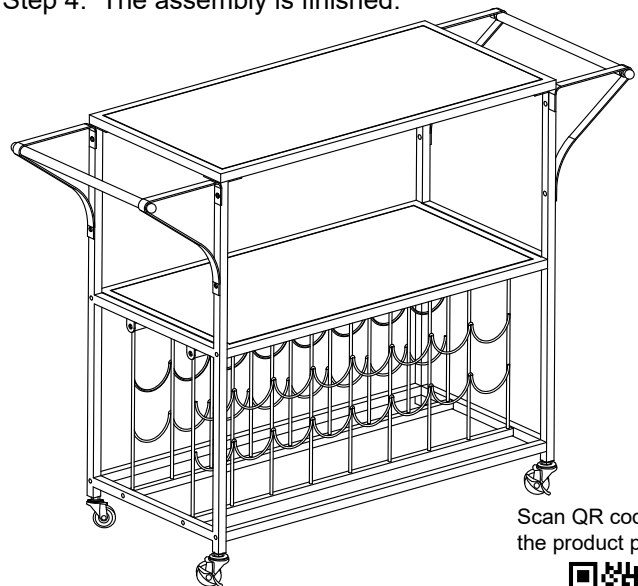
Step 2. Attach Top Shelf (A) to the assembled unit with Screws (N). Attach Casters (I & J) to the bottom of the unit by hand, then tighten them with provided Wrench (Q).



Step 3. Assemble hand rail parts (F, G, H) on both sides with Screws (M) and Caps (K). Hand tighten the screws and caps then use Hex Key (O) and Wrench (R) to tighten them.



Step 4. The assembly is finished.



Scan QR code to visit the product page:



If you have any questions regarding our products, please visit us at www.displays2go.com or contact D2G customer service 844-221-3388

DISPLAYS2GO