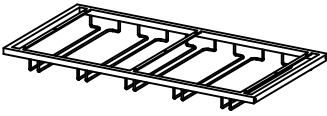
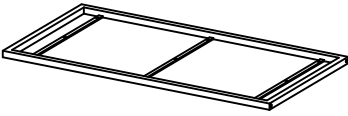
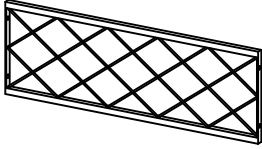
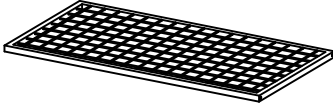
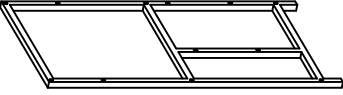




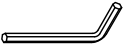

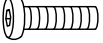
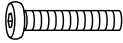




# ASSEMBLY INSTRUCTIONS

FSBEVCART4 - Beverage Cart with Wine Glass Holder & Wheels

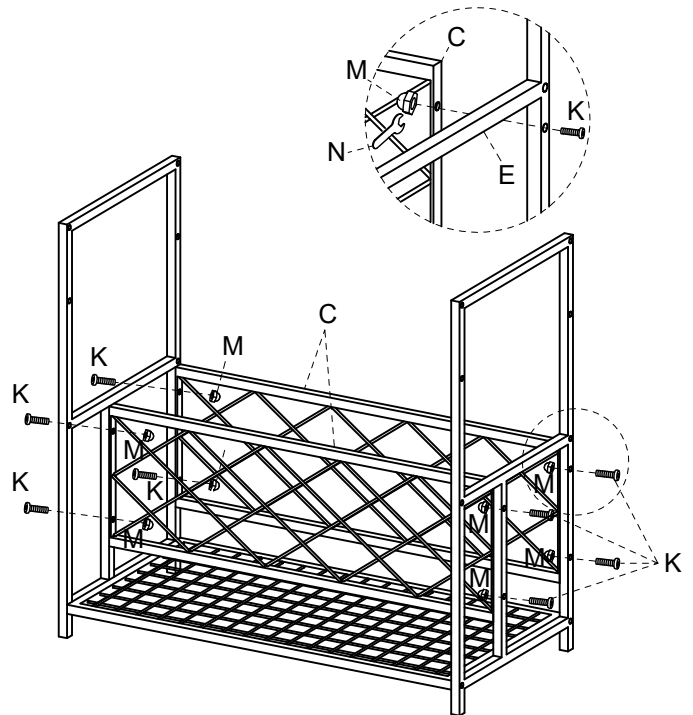
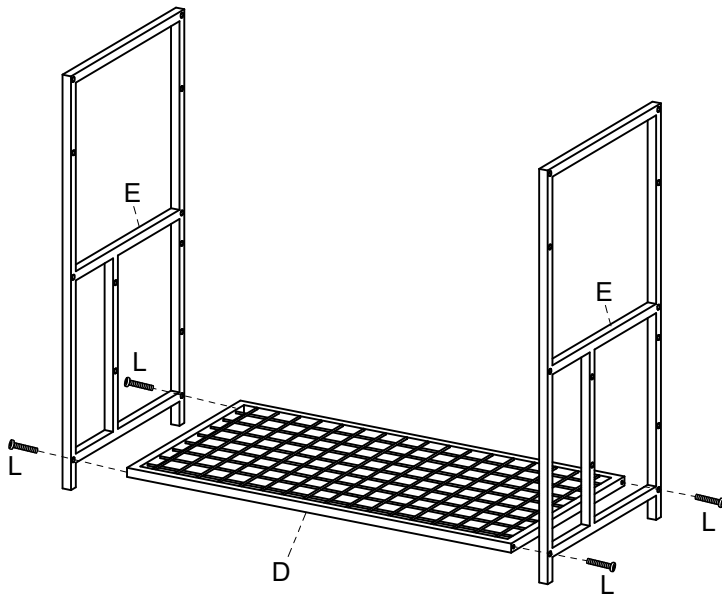
V20.04

## Parts List

 A x1pc	 B x1pc	 C x2pcs	 D x1pc		
 E x2pcs	 F x2pcs	 G x2pcs	 H x2pcs	 I x1pc	
 8mm	 6mm	 6x25mm	 8x25mm	 6mm	 6mm
J x1pc		K x8pcs	L x12pcs	M x12pcs	N x1pc

Step 1. Attach Side Frames (E) to Grid Rack Base (D). Use Screws (L) and tighten with included Hex Key (J) from both sides as shown.

Step 2. Place one Cross Rack (C) in between 2 side panels and align the holes on C and E. Use Screws (K) and Cap (M) to fix the rack. Hand tighten the screws and caps first and then use Wrench (N) and Hex Key (J) to securely tighten them. Assemble the other Rack (C) the same way.



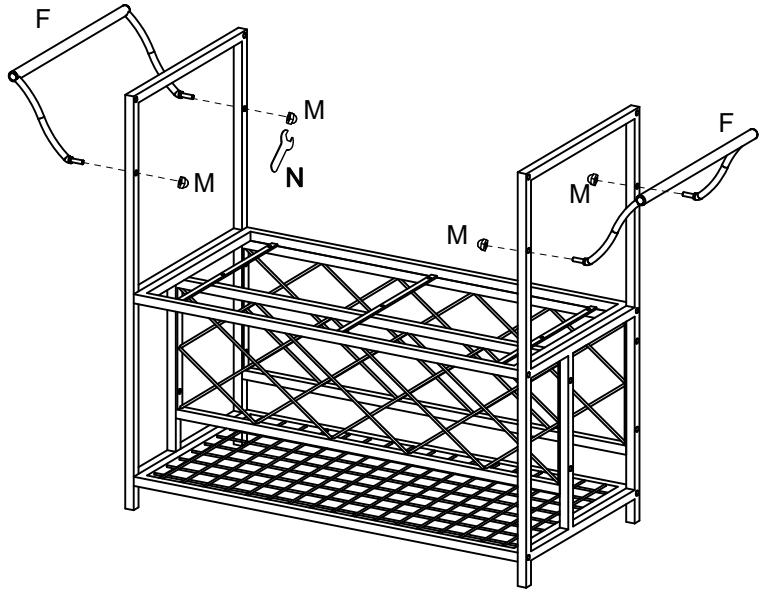
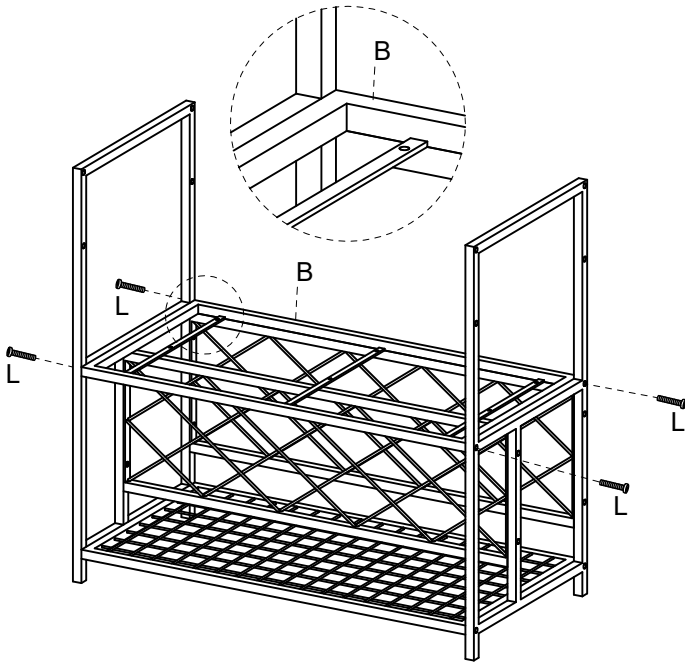
# ASSEMBLY INSTRUCTIONS

FSBEVCART4 - Beverage Cart with Wine Glass Holder & Wheels

V20.04

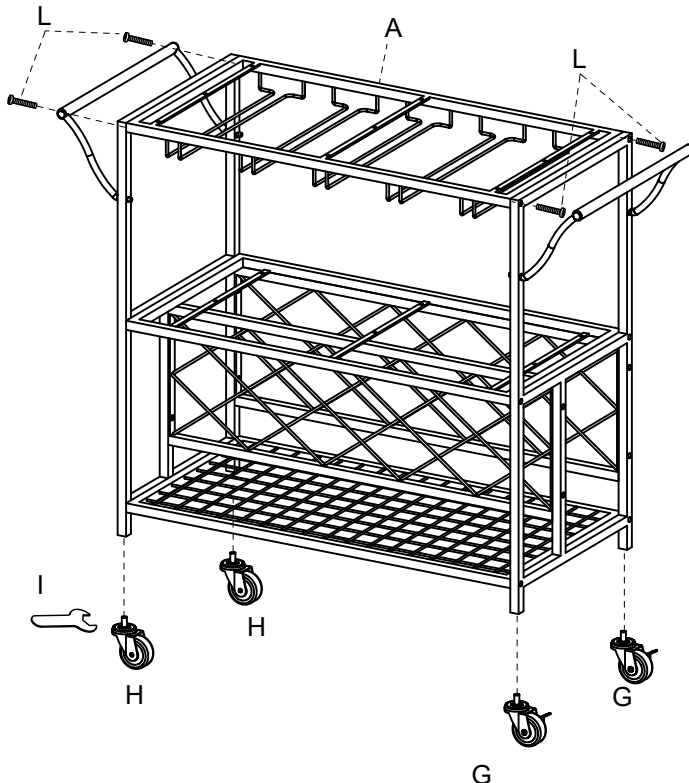
Step 3. Place the Middle Frame (B) with wooden shelf onto the assembled racks. Secure the shelf with Screws (L) and Hex Key (J).

Step 4. Insert one Handle (F) from the outside into the corresponding holes on Side Panel (E). Hand tighten with Cap (M) first then use Wrench (N) to fix the handle. Repeat above to assemble the 2nd Handle on the other side.



Step 5. Place the Top Frame (A) with wine glass holder at the top and fix it to the side panel using Screws (L) and Hex Key (J). Hand tighten Caster (H & G) onto feet and secure with included Wrench (I).

Step 6. Check the serving cart to make sure all parts are securely fixed. The assembly is finished.



Scan QR code to visit the product page:



If you have any questions regarding our products, please visit us at [www.displays2go.com](http://www.displays2go.com) or contact D2G customer service at 844-221-3388.