

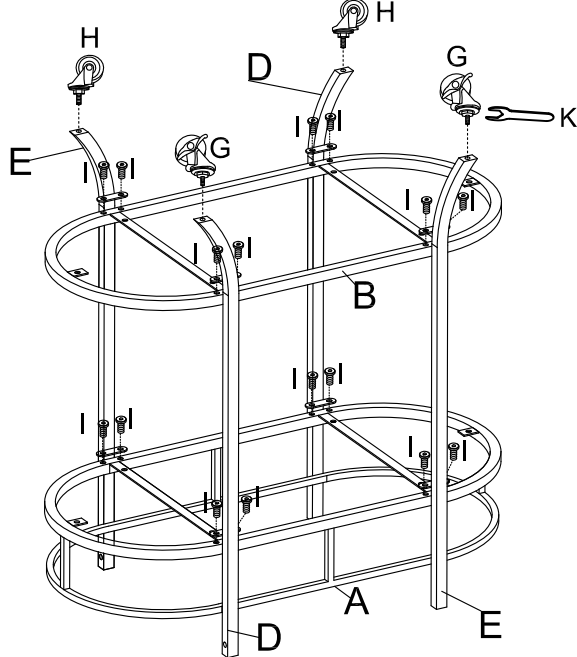
ASSEMBLY INSTRUCTIONS

FSBEVCART5 - Round Beverage Cart with Mirror & Wheels

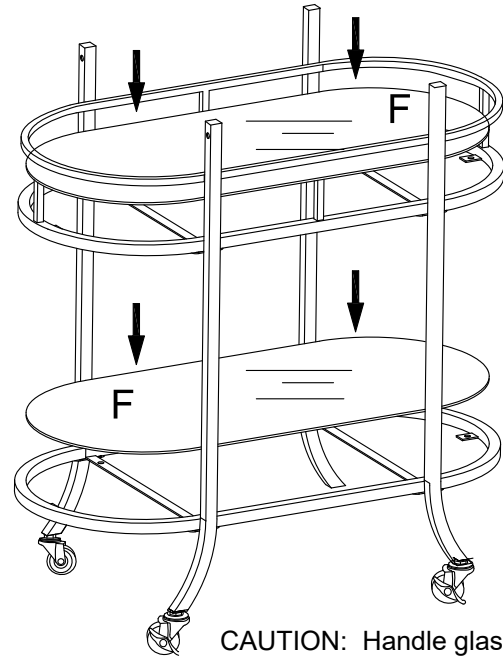
V20.04

Parts List					
A×1PC	B×1PC	C×2PCS	D×2PCS	E×2PCS	
F×2PCS	G×2PCS	H×2PCS	I×20PCS	J×1PC	K×1PC

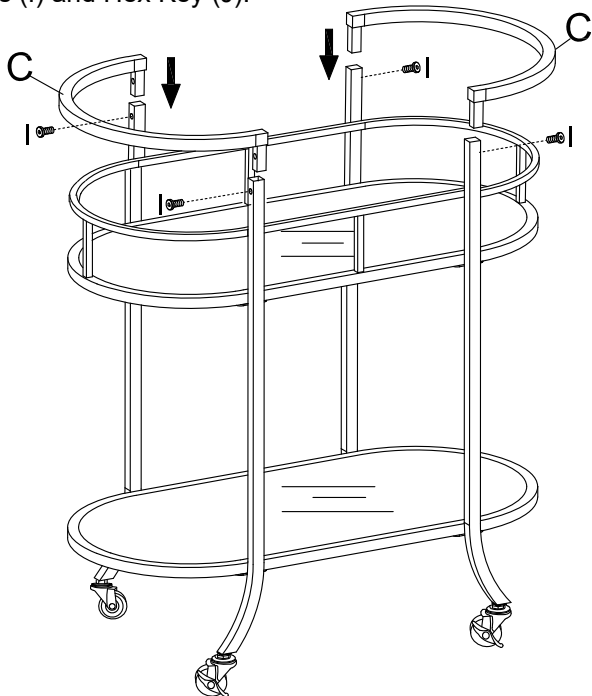
Step 1. Attach the Top shelf (A) to Legs (D, E) with Screws (I) as shown. Attach Bottom Shelf (B) to 4 Legs the same way. Attach Casters (G & H) to the bottom of the assembled Cart by hand, then tighten them with enclosed Wrench (J).



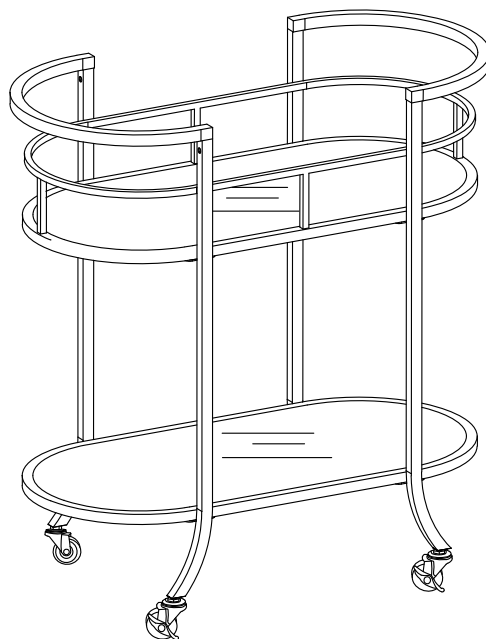
Step 2. Slowly bring the cart on its upright position. Carefully place one Glass Panel (F) inside the Top Shelf. Make sure it completely fits at the bottom of the shelf. Repeat the step to attach the other Glass Panel to the Bottom Shelf the same way.



Step 3. Attach Hand Rails (C) at the top and fix them with Screws (I) and Hex Key (J).



Step 4. The assembly is finished.



Scan QR code to visit the product page:



If you have any questions regarding our products, please visit us at www.displays2go.com or contact D2G customer service 844-221-3388

DISPLAYS2GO