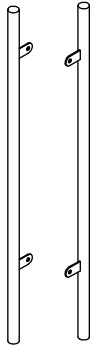


ASSEMBLY INSTRUCTIONS

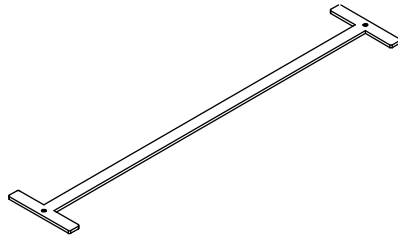
SMDSAMB1 - Metal and Acrylic Hygiene Barrier

V20.06

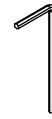
Parts List



Aluminum tube 2 PCS



Base 1 PC



Allen Key 1 PC



Screws M6X12 4 PCS

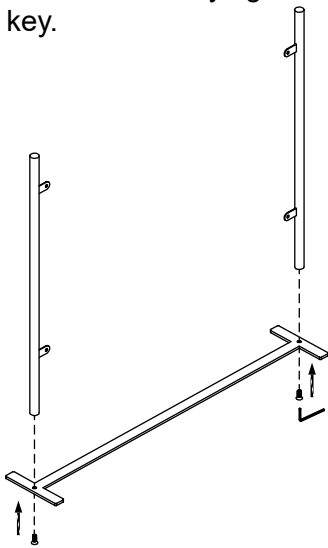


Screws M8X20 2 PCS



Cap Nut 4PCS

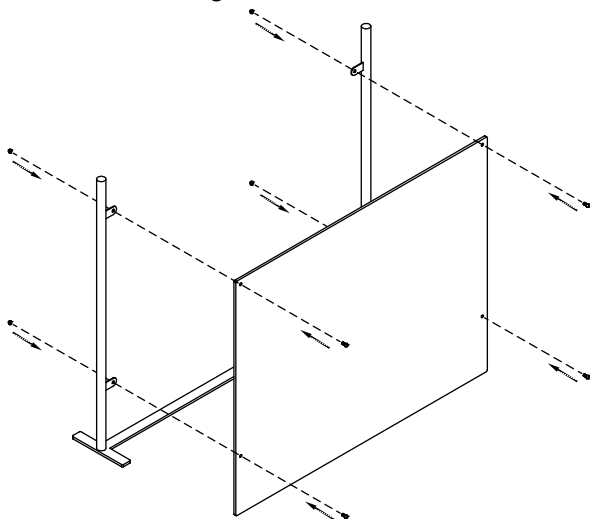
STEP 1. Assemble the base and aluminum tubes by using M8X20 Screws. Securely tighten Screws using included Allen key.



STEP 2. Attach the acrylic panel to the aluminum frame and align the holes on the tab and the acrylic panel. Fix the panel by using M6X12 screws and cap nuts.

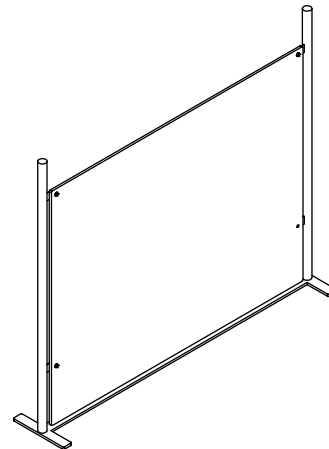
Use a phillips screwdriver and an adjustable wrench to help secure the acrylic panel.

NOTE: Do NOT over tighten.

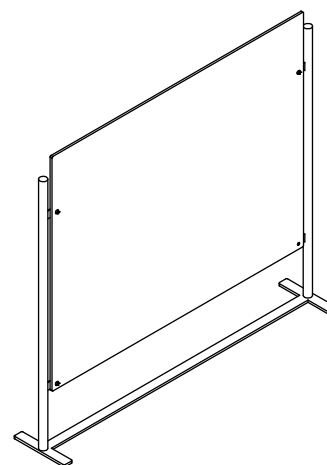


STEP 3. Choose the configuration that best fits your needs.

To change the position of the acrylic panel, simply remove all the screws and the cap nuts, flip the acrylic panel upside down and repeat *STEP 2* to assemble the acrylic panel with the frame.



Bottom Close
Complete Protection



Bottom Open
Easy Passage for Items

Scan QR code to visit the product page:



If you have any questions regarding our products, please visit us at www.displays2go.com or contact D2G customer service at 844-221-3388.

DISPLAYS2GO