

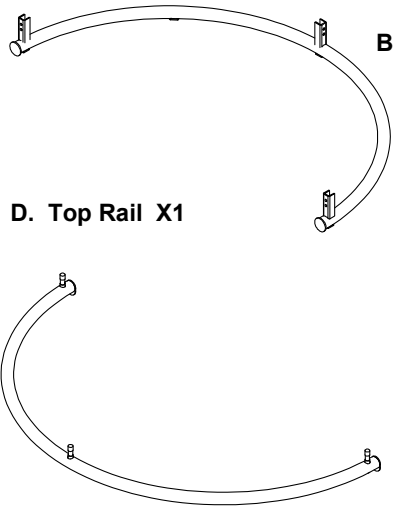
# ASSEMBLY INSTRUCTIONS

## APRK425CTF - Half Round Clothing Rack With 42" Hang Rail

V21.03

### PARTS LIST

**A. Base X1**



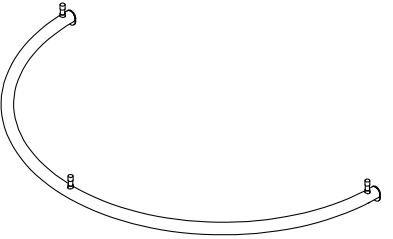
**B. Lower Pole X3**



**C. Upper Pole X3**



**D. Top Rail X1**



**E. Insert Screw X3**



**F. Washer X6**



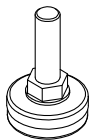
**G. Split Washer X6**



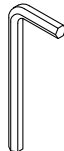
**H. Pan Head Screw X6**



**I. Foot X5**

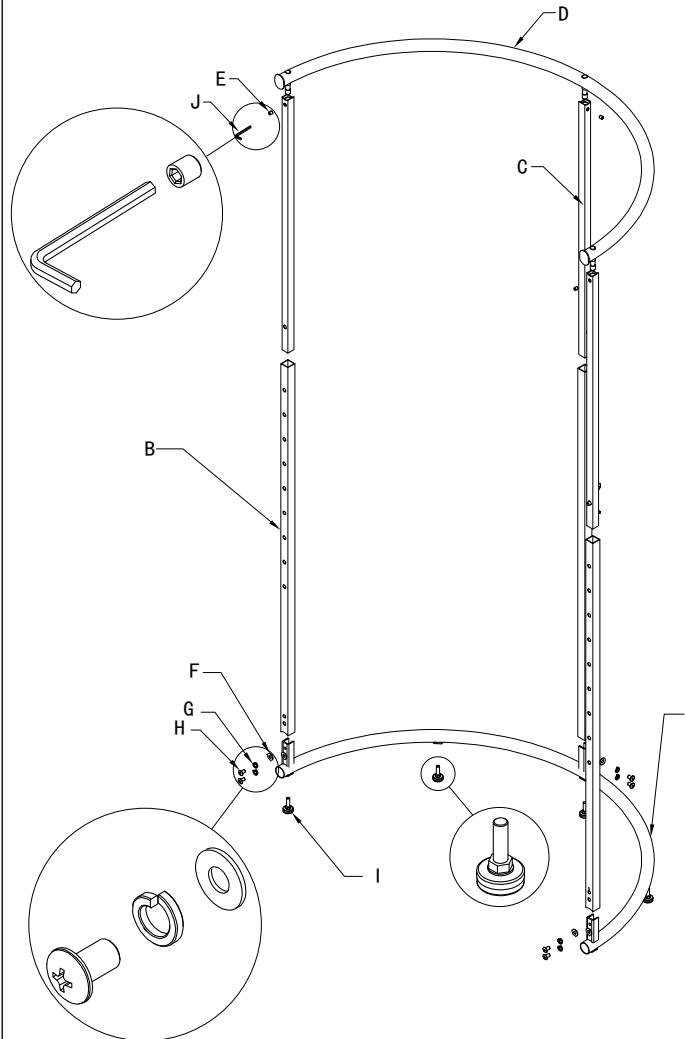


**J. Hex Key X1**

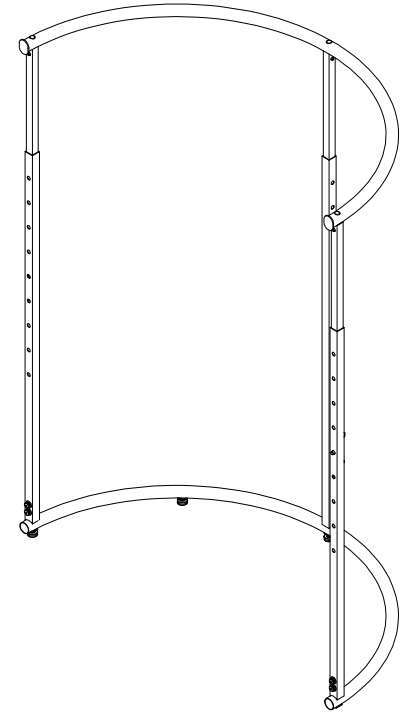


**Step 1.** Attach all the Feet (I) to the bottom of the Base (A) by hand. Secure 3 Lower Poles (B) to the Base with Screw (H), Split Washers (G) and Washers (F) as shown below.

**Step 2.** Connect 3 Upper Poles (C) to the Top Rail (D) and fix them by using Insert Screws (E) and Hex Key (J) as shown. Insert the Upper Poles into corresponding Lower Poles.



**Step 3.** Adjust the clothing rack to desired height and the assembly is finished.



Scan QR code to visit the product page:

