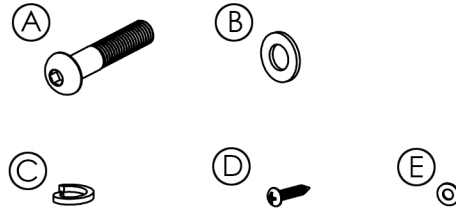


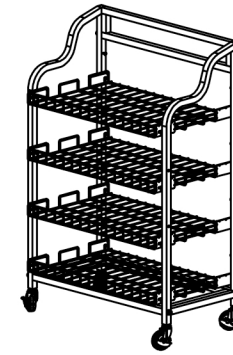
# Assembly Instructions

## Hardware

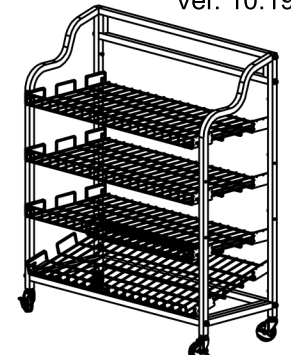
- A. M10 Socket Cap Bolt (x8)
- B. M10 Flat Washer (x8)
- C. Spring Lock Washer (x12)
- D. Pan Head Tapping Screw (x2)  
(for attaching sign holders)
- E. M4 Flat Washer (x2)  
(for attaching sign holders)



Each unit is supplied with (1) Phillips screwdriver, (1) hex key, (1) Large & (1) Small Sign Holder, and the components and hardware listed on this sheet.

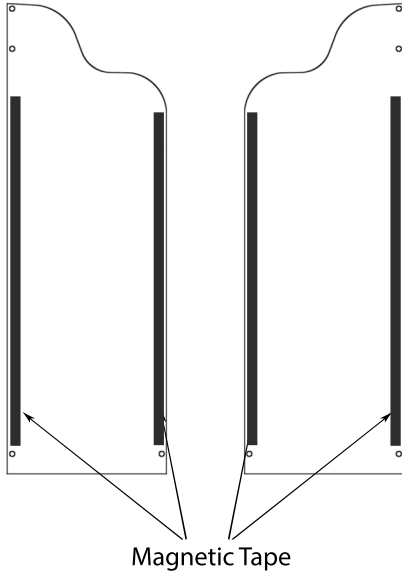


BAKCRT4N



BAKCRT4W

**Optional: Custom Graphics**  
Apply precut magnetic tapes to the plain side of the printed graphic panels.



Scan QR code to visit the product page:

