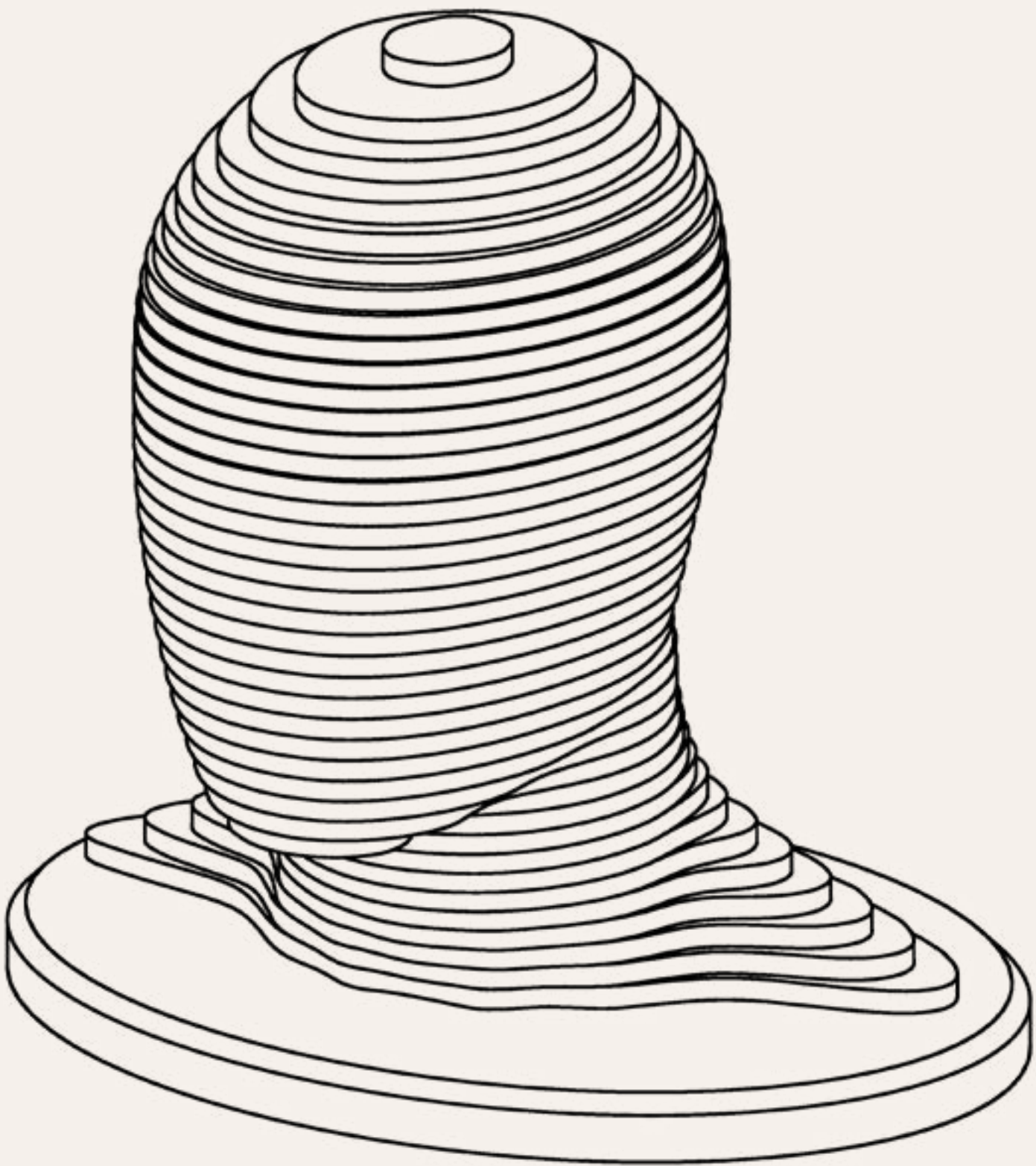


METHODS COLLECTION



SKU: DBCARDBH1

Cardboard Mannequin Head **USER GUIDE**

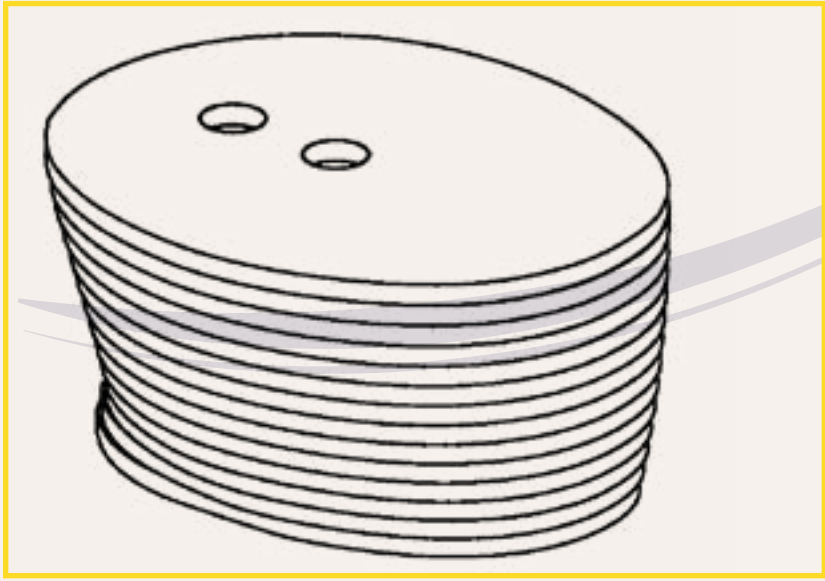
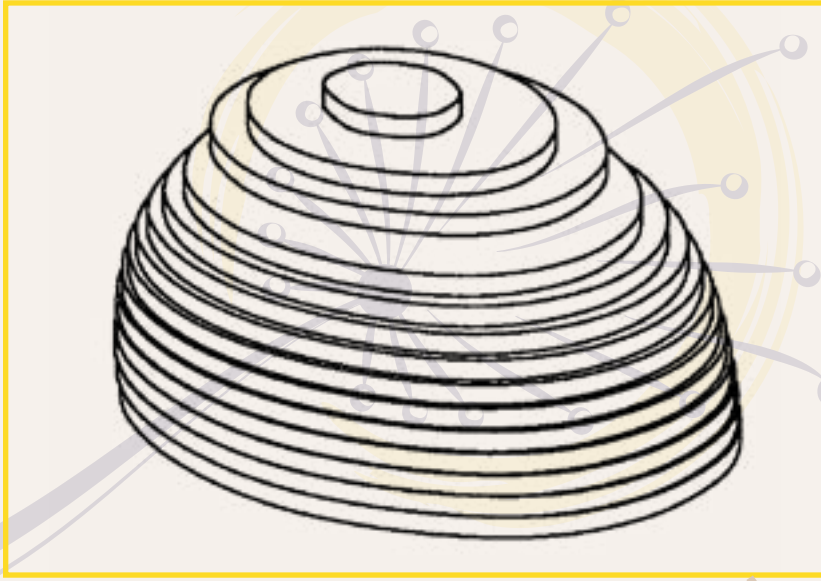
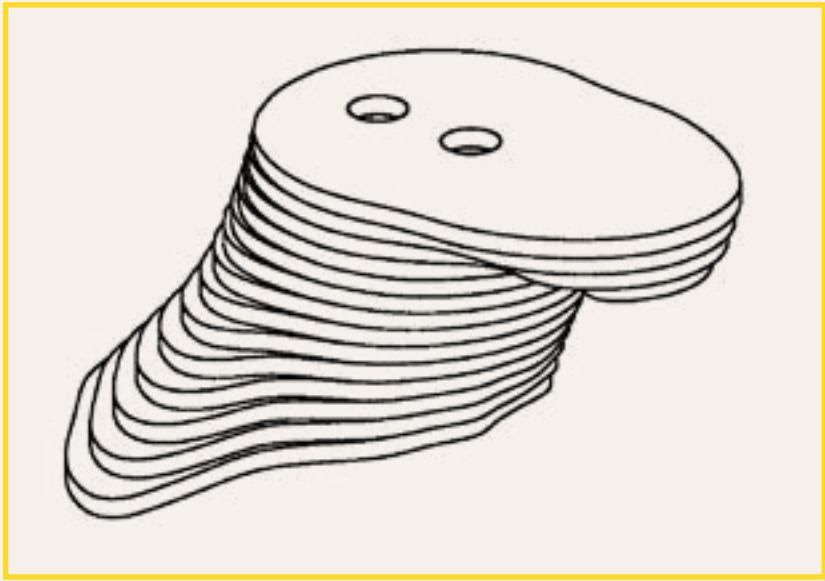
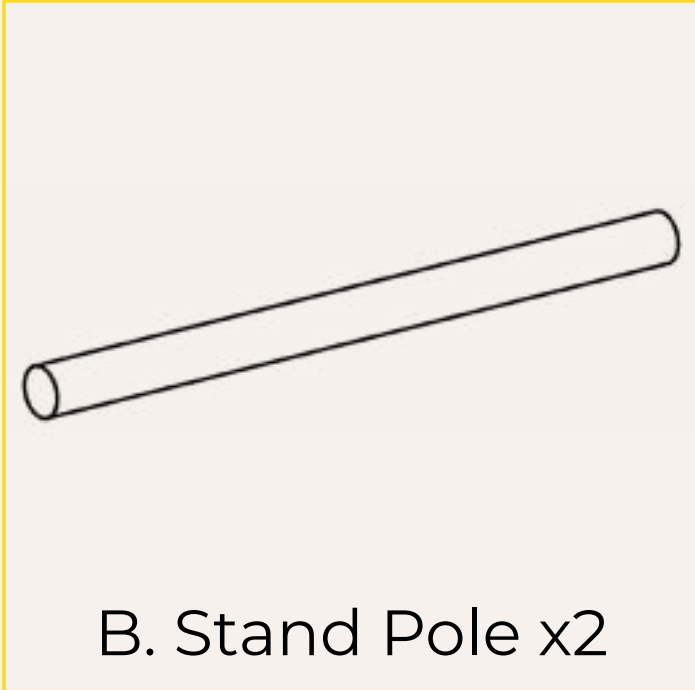
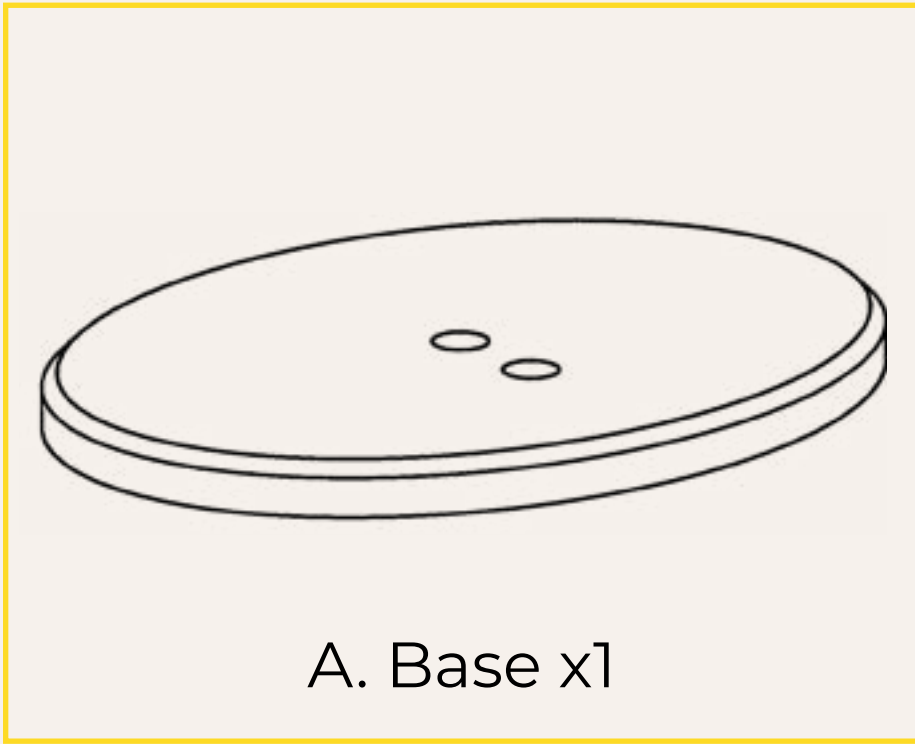
DANDELION

RESPONSIBLY CREATING BETTER PRODUCTS FOR A BETTER WORLD

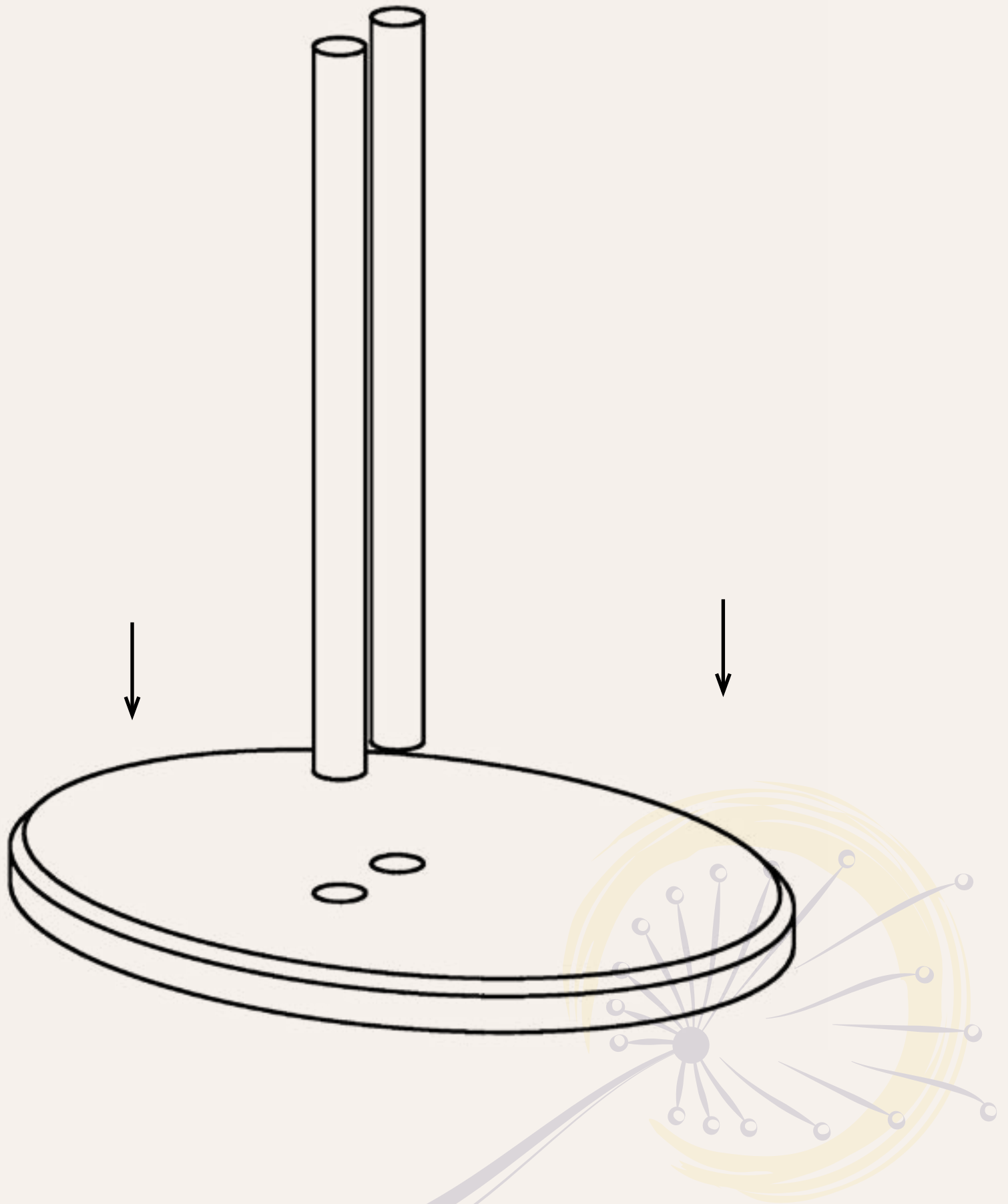


Table of Contents

USER GUIDE

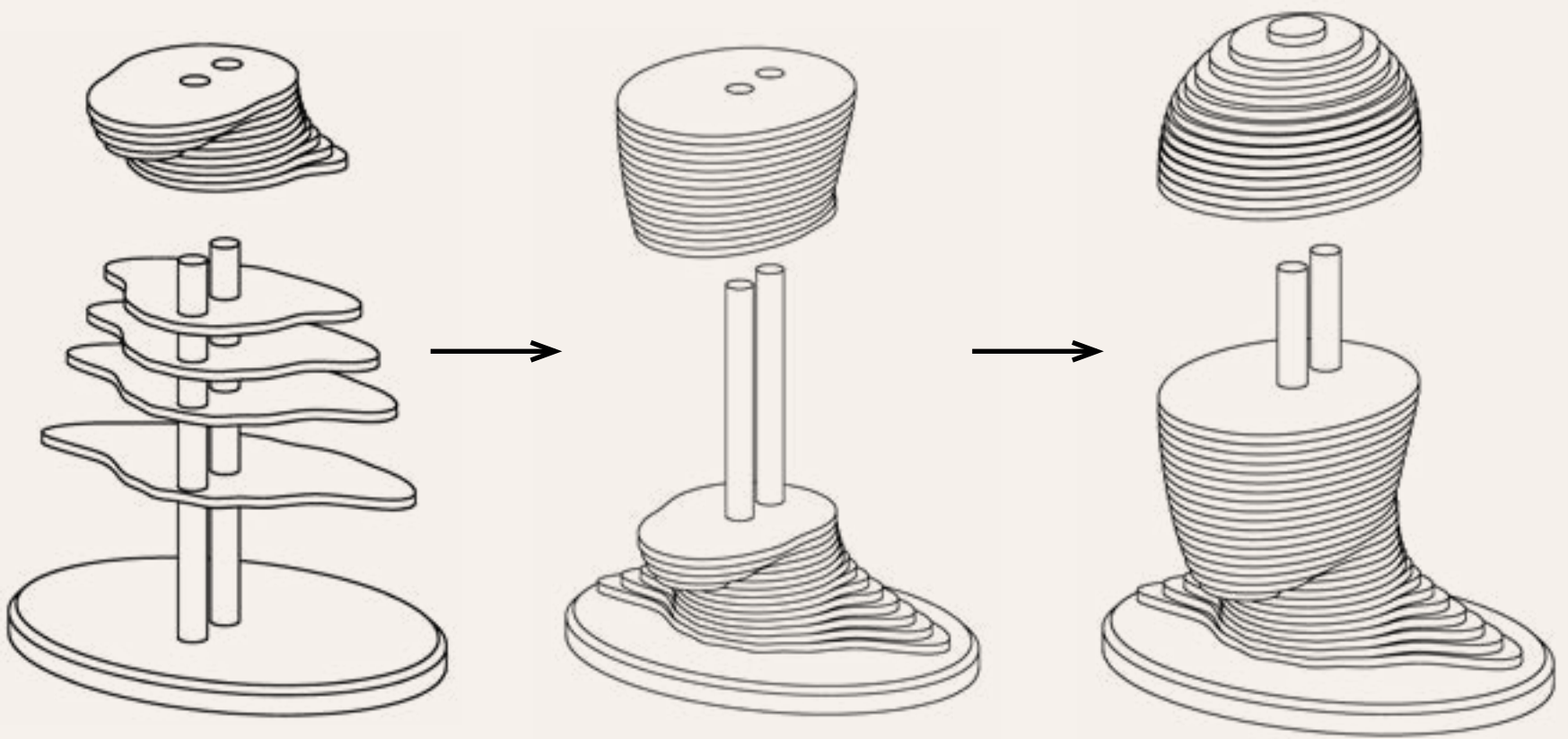


PARTS DIAGRAM



1. Insert stand poles into base. (Poles fit into pre-existing holes on the base.)

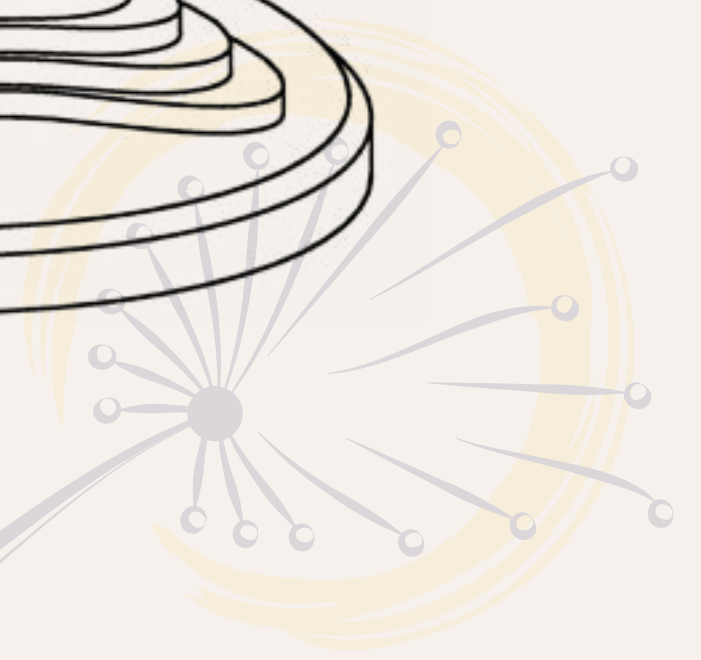
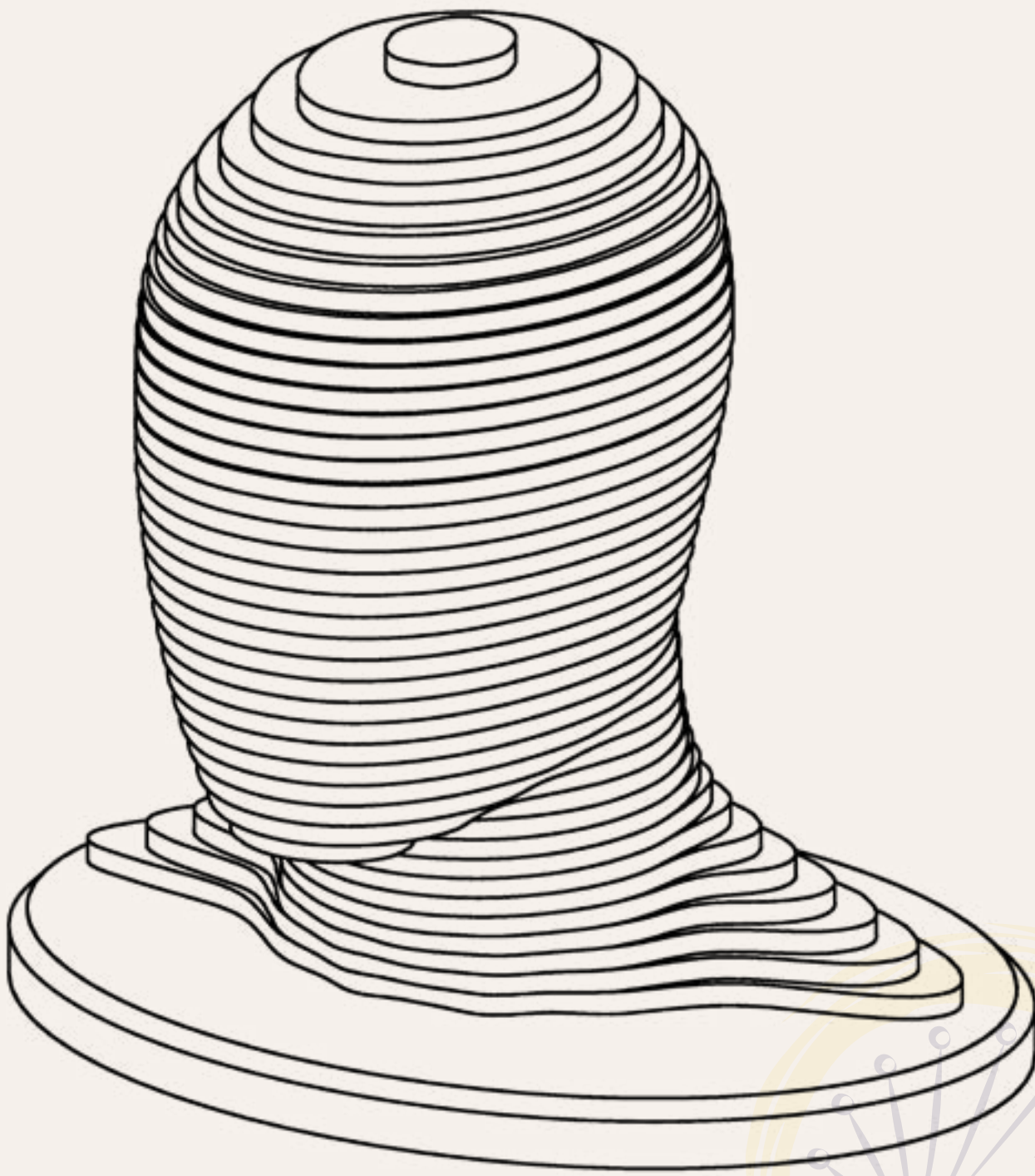
ASSEMBLY INSTRUCTIONS



2. Following the sequence numbers printed on each piece of the mannequin, slide pieces onto the stand poles. Fit holes over the poles, and ensure that the arrows on the pieces face the same direction.

NOTE: Pieces are packaged in three groups. Begin with group 1, then move on to 2, and finish with 3.

ASSEMBLY INSTRUCTIONS



3. The assembly is finished.

ASSEMBLY INSTRUCTIONS

THANK YOU FOR SPREADING
THE SEEDS OF SUSTAINABILITY
AND HELPING TO PROTECT
OUR PLANET.



HAVE A QUESTION? GET IN TOUCH WITH
OUR DANDELION REPRESENTATIVES AT:
888-257-6639

CONTACT US

7