

SKU: DBDMBIN

Eco Dump Bin
USER GUIDE

DANDELION

RESPONSIBLY CREATING BETTER PRODUCTS FOR A BETTER WORLD

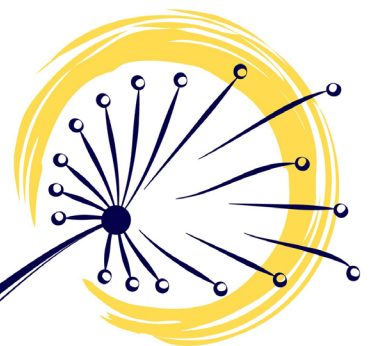
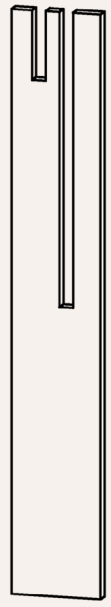


Table of Contents

USER GUIDE

Leg

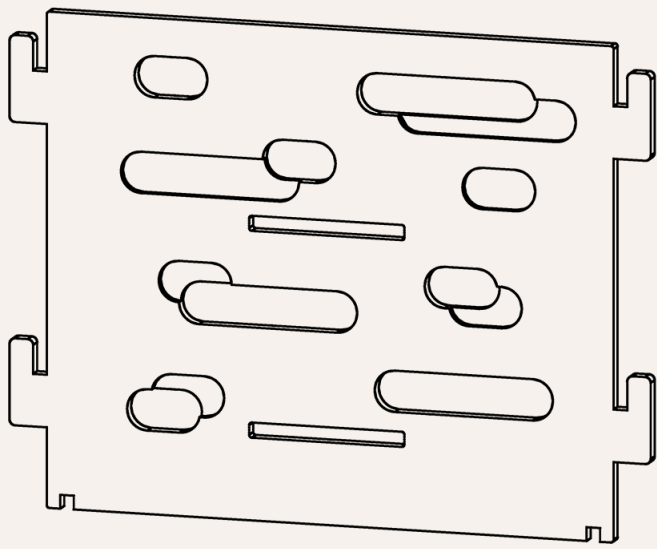


A1. x4

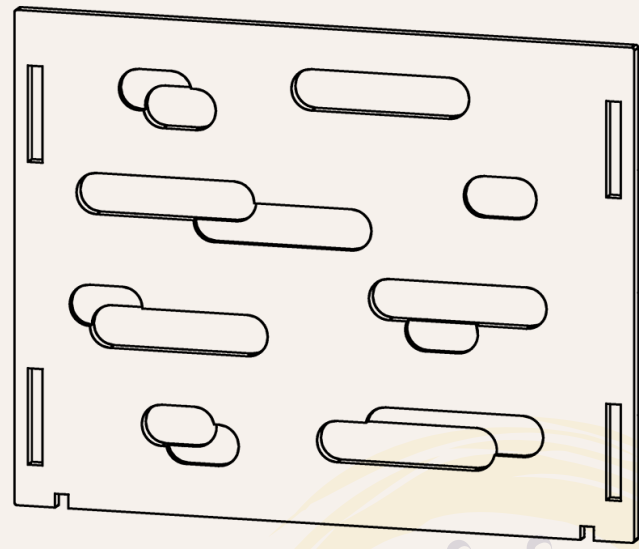


A2. x4

Side Panel

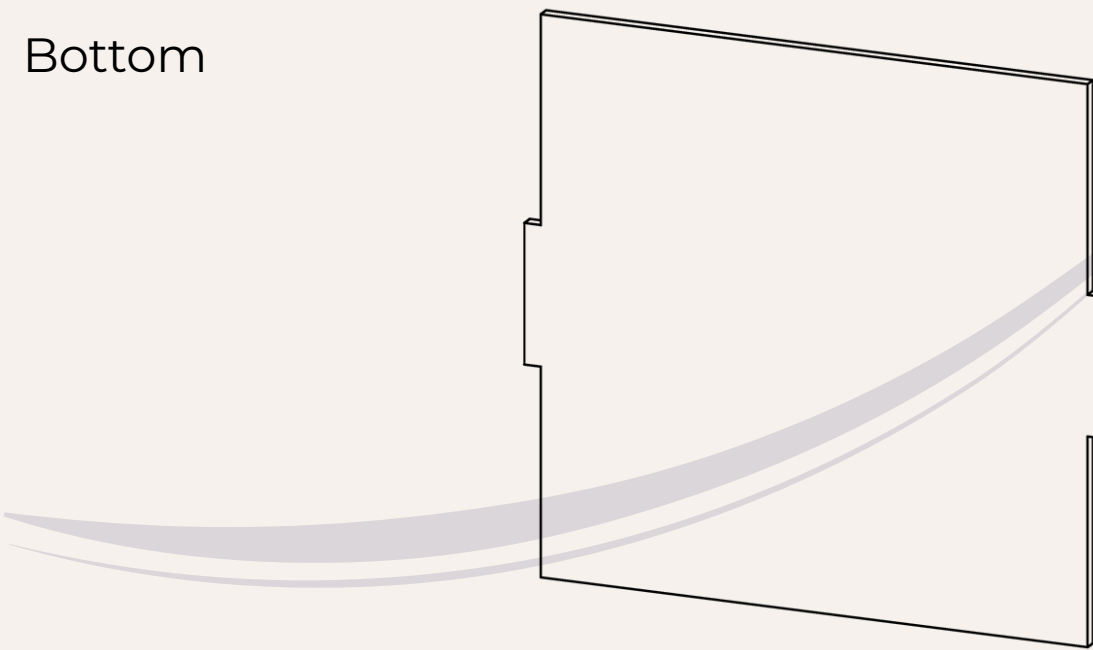


B1. x2



B2. x2

Bottom



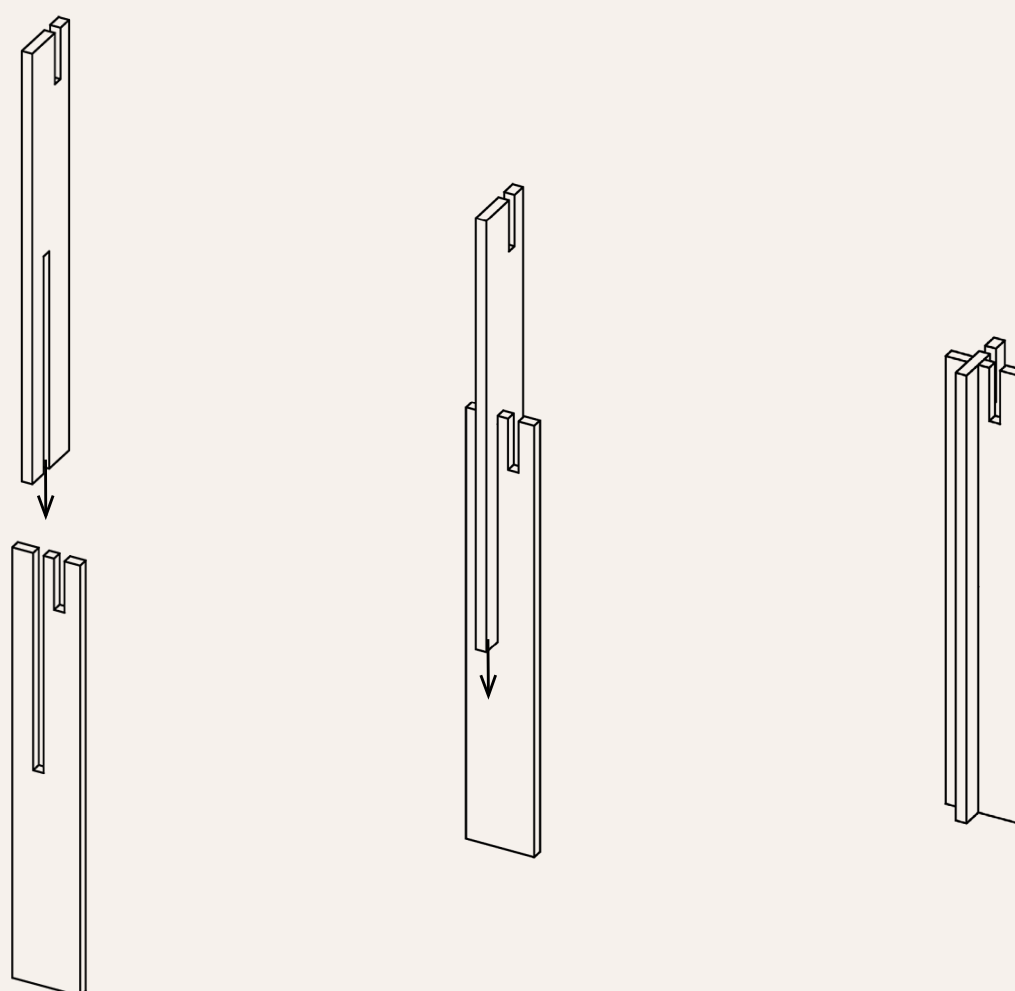
C. x1

NOTE: 2 people are recommended.

A rubber mallet (not included) is required.

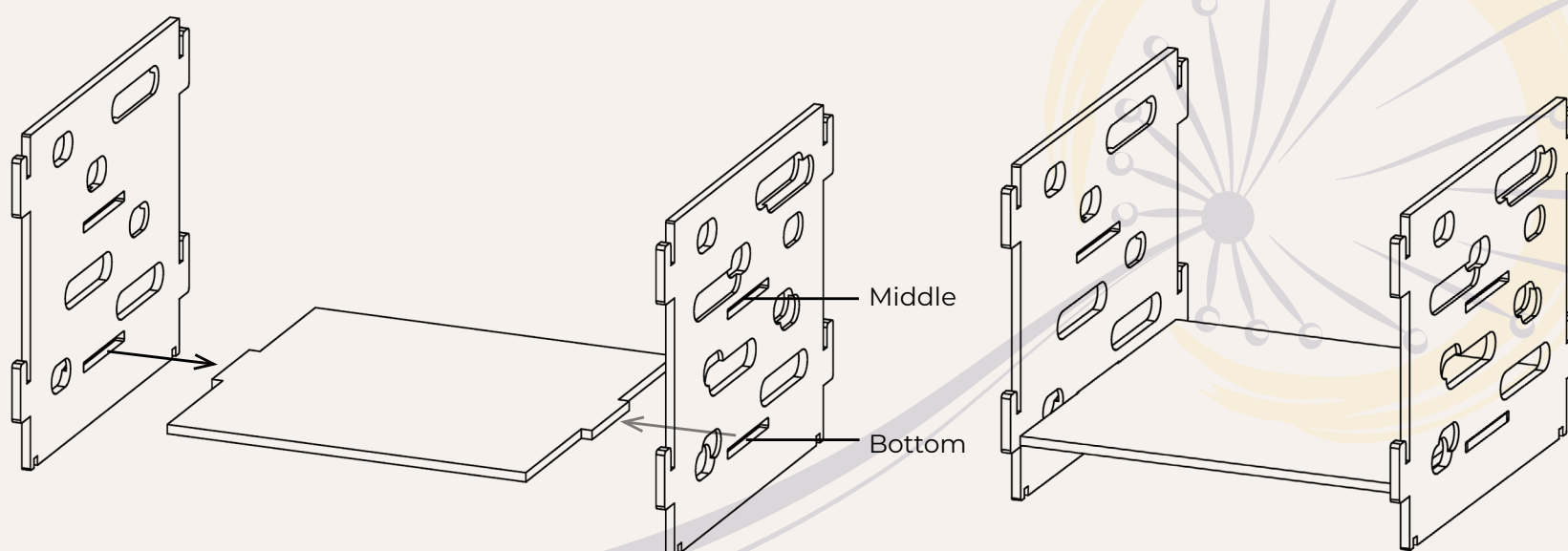
PARTS DIAGRAM

NOTE: Before assembling, make sure the side with half cut facing outside.



1. Assemble legs: Insert (1) Leg Board (A2) into (1) Leg Board (A1), gently tap the top with a rubber mallet (not included) until both boards are fully fitted.

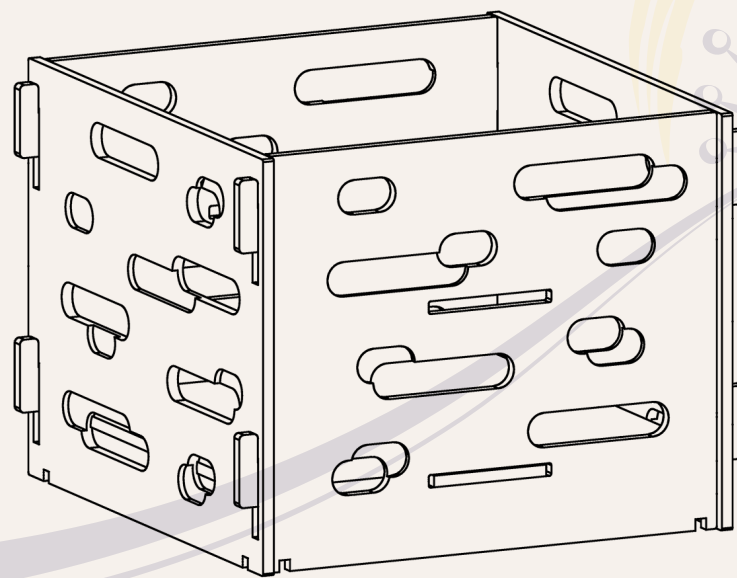
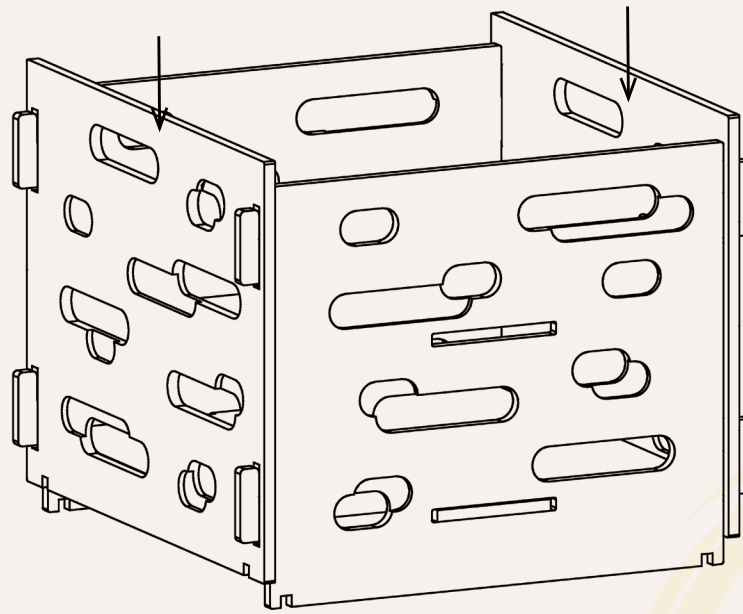
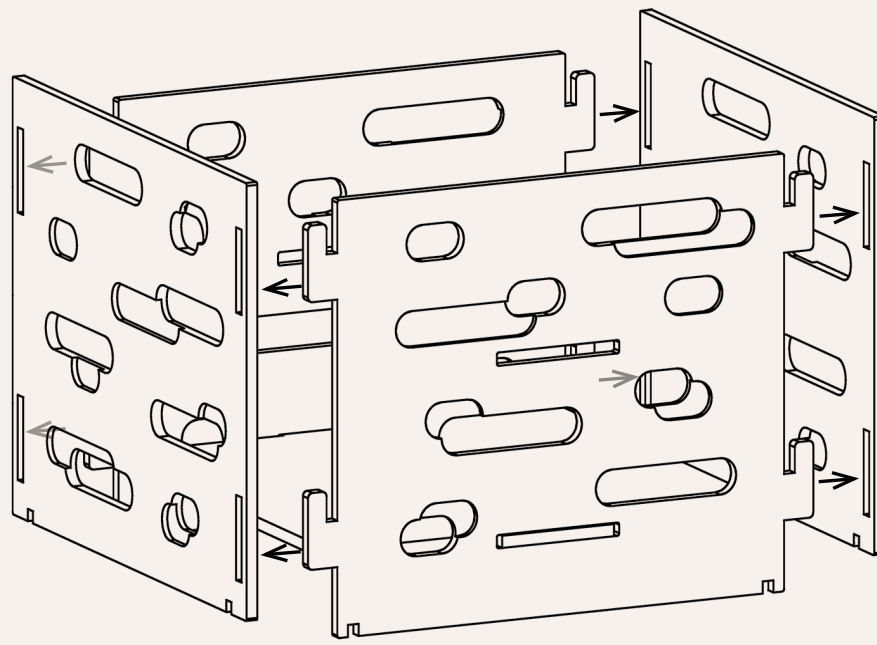
Assemble remaining legs the same way.



2. Choose your dump bin depth. The Bottom Board (C) can be assembled at the middle or the bottom. Insert tabs on Bottom Board (C) into the preferred slots on both Side Panels (B1).

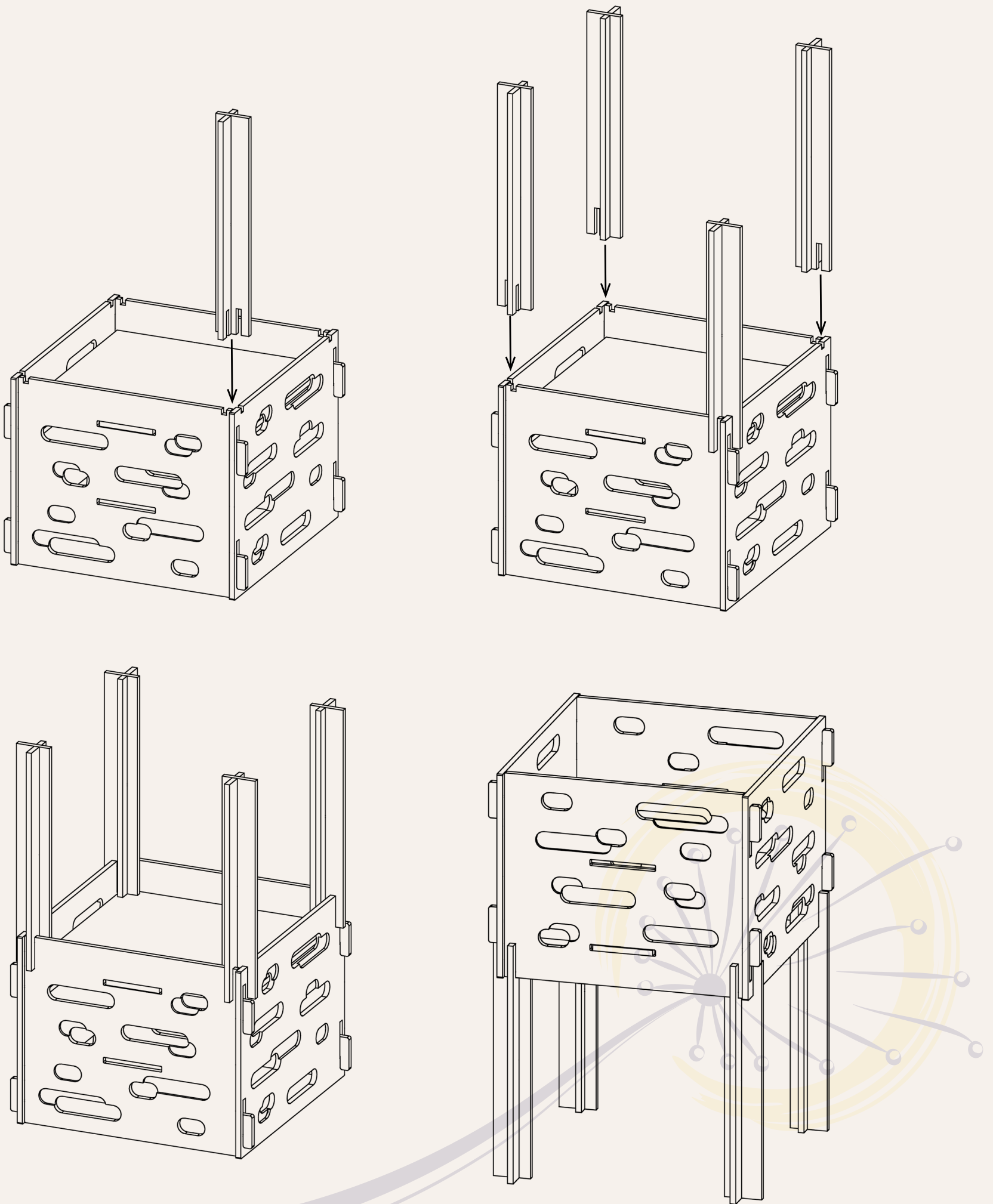
ASSEMBLY INSTRUCTIONS

NOTE: Before assembling, make sure the side with half cut facing outside.



3. Attach (1) Side Panel (B2) to the main body on each side by fitting the tabs on B1 into the corresponding cutouts on B2. Gently tap B2 down until the top is flush.

ASSEMBLY INSTRUCTIONS



4. Carefully turn the dump bin body upside down. Insert (1) assembled leg to the bottom corner, gently tap the leg to secure it with the dump bin. Assemble the remaining legs the same way. Turn the dump bin to its standing position.

The assembly is finished.

ASSEMBLY INSTRUCTIONS

THANK YOU FOR SPREADING
THE SEEDS OF SUSTAINABILITY
AND HELPING TO PROTECT
OUR PLANET.



HAVE A QUESTION? GET IN TOUCH WITH
OUR DANDELION REPRESENTATIVES AT:
888-257-6639

CONTACT US

7