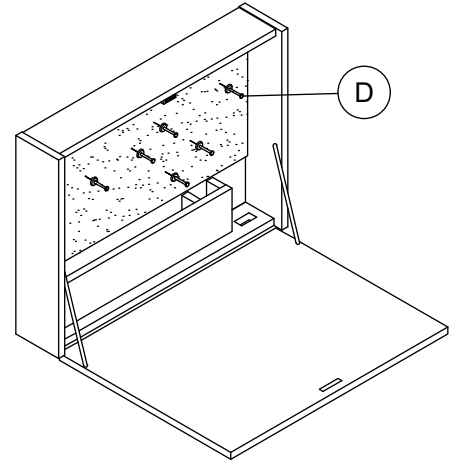
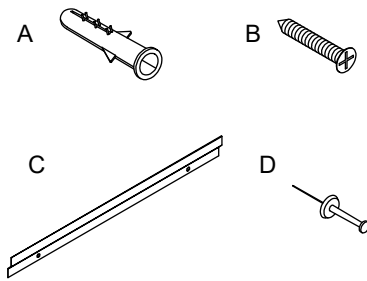


INSTALLATION INSTRUCTIONS

FDWMD1WT - Wall-mounted Foldable Desk

V20.12

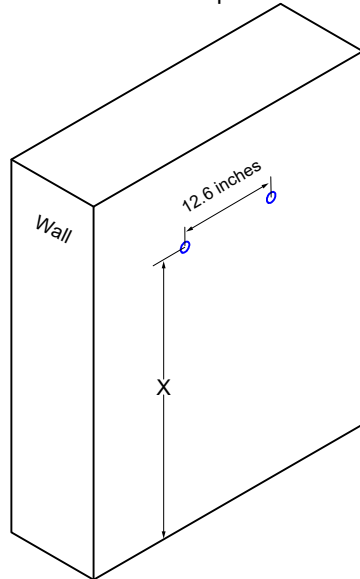
| Hardware | Qty. |
|------------------------|------|
| A. Plastic Wall Anchor | 2 |
| B. Screw | 2 |
| C. Z-bar | 2 |
| D. Push Pin | 6 |



Scan QR code to visit the product page:

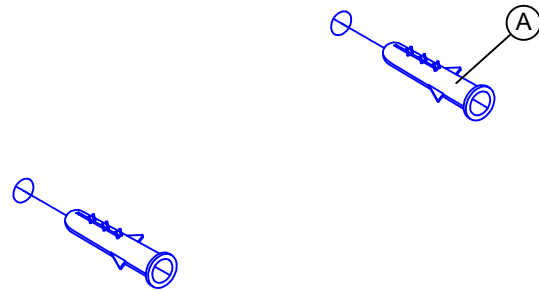


1. Determine the desired height of the wall-mounted desk. Place the Z-bar (C) on the wall and mark the center of each hole. Drill 2 pilot holes (Ø 6mm) at marked location with power drill.

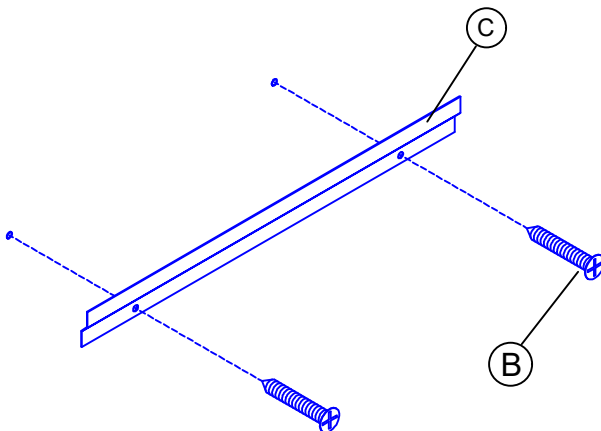


NOTE: Use a bubble level to help to keep the Z-bar level.

2. Insert 1 Plastic Wall Anchor (A) into each pilot hole on the wall. Use a rubber mallet to tap them flush with the wall.



3. Place the Z-bar (C) against the wall as shown and fix it with the 2 enclosed Screws (B).



4. Carefully lift up the foldable desk above the mounted Z-bar. Push the unit against the wall and slowly lower the unit onto the Z-bar. Check the desk and make sure it's mounted securely.

