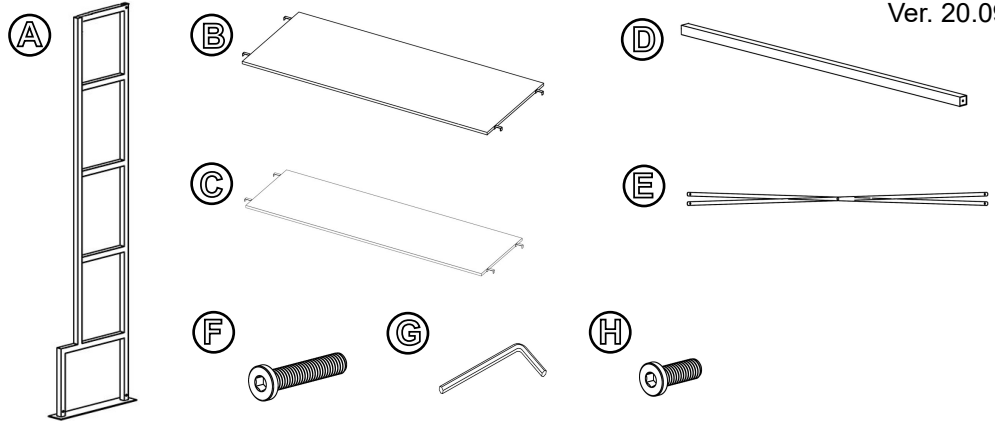


# ASSEMBLY INSTRUCTIONS

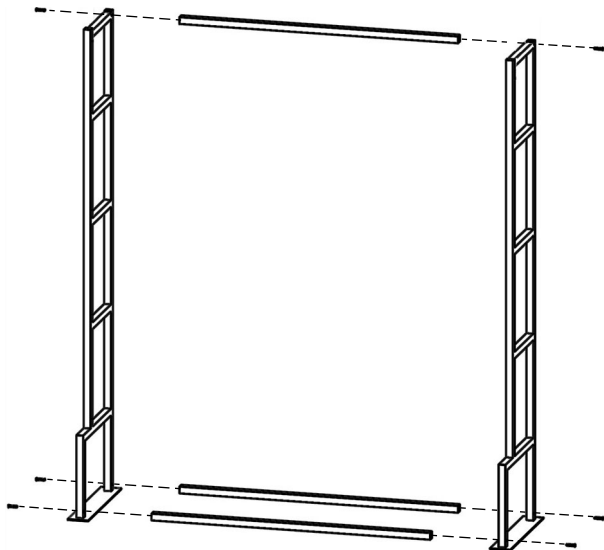
## SMPSU1SH - Portable Shelving Display

### PARTS LIST

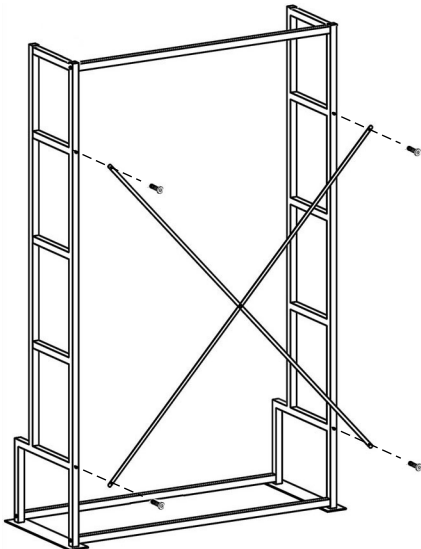
A. Side Frame	X2
B. Large Shelf	X1
C. Small Shelf	X3
D. Supporting Tube	X3
E. Cross Brace	X1
F. Socket Head Screw	X6
G. Hex Key	X1
H. Socket Head Screw	X4



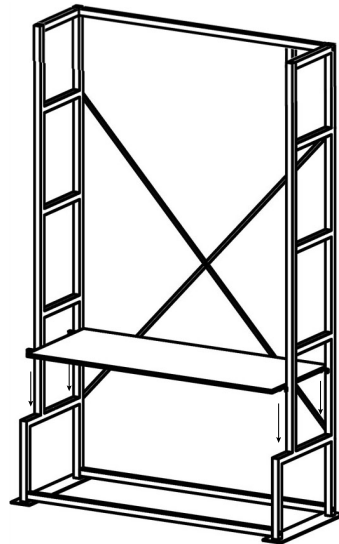
Step 1. Assemble the shelving frame. Connect 2 Side Frames (A) with Supporting Tubes (D) by inserting 6 Screws (F) from both ends. Tighten all screws using enclosed Hex Key (G).



Step 2. Expand the Cross Brace (E) to "X" shape as shown. Fix it to the back of the shelving frame using 4 Screws (H) and tighten them using enclosed Hex Key (G).



Step 3. Place the Large Shelf (B) at the bottom level of the shelf frame as shown below. Hook the metal tabs on the shelf onto the side frame and make sure the shelf is securely attached.



Step 4. Assemble 3 Small Shelves (C) at desired locations the same way as in Step 3. The assembly is finished.

