

# Assembly Instructions



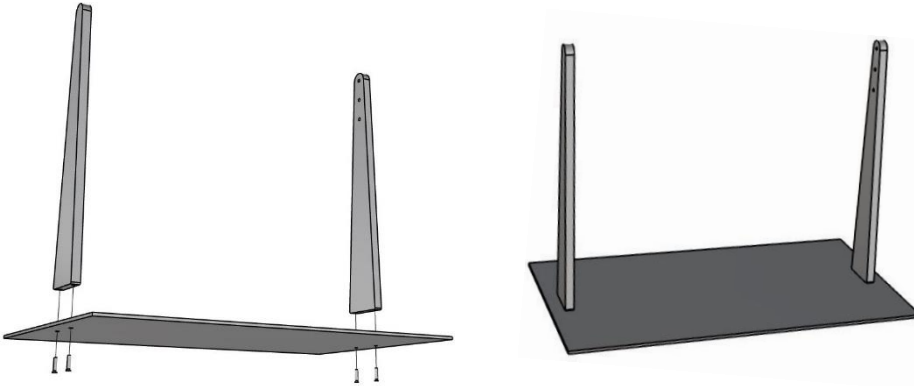
DISPLAYS2GO

SMSDAPSG1 – Adjustable Acrylic Protective Sneeze Guard

V20.11

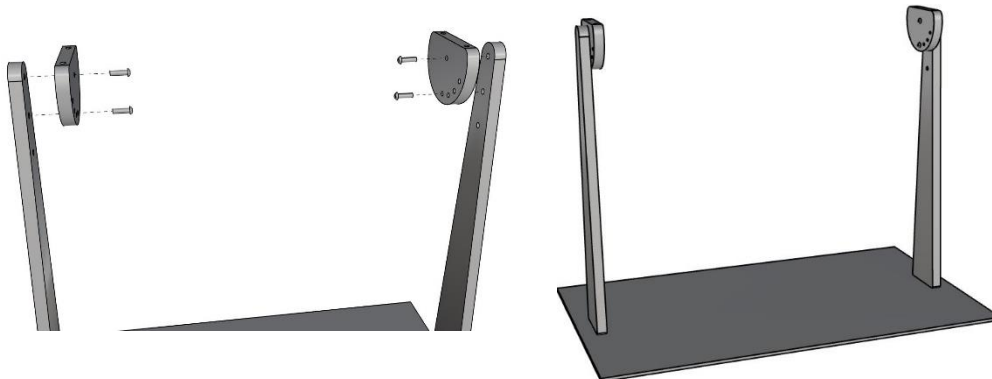
1

Attach both legs to the base using (4) flat head screws. Make sure holes in the legs are facing inwards.



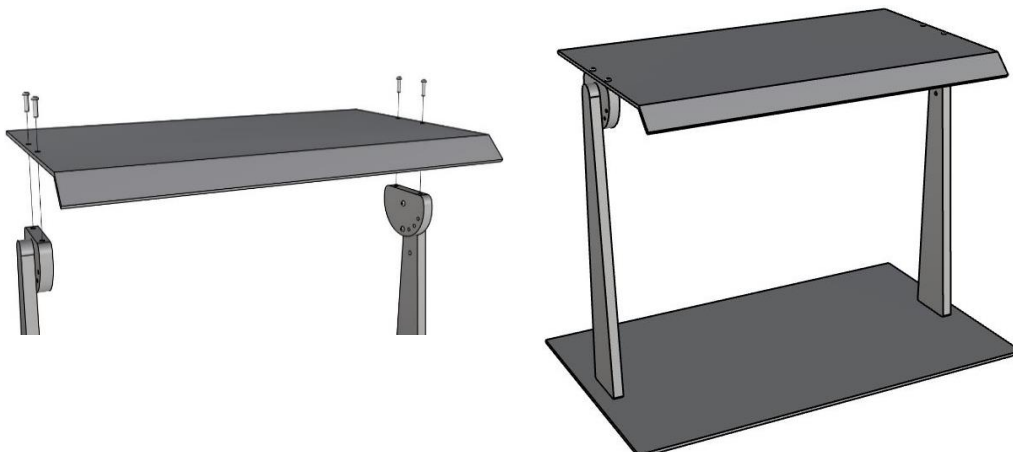
2

Attach two half-moons to the top of the legs using 4 button cap screws. Make sure holes on half moon face the same direction.

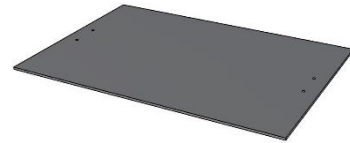


3

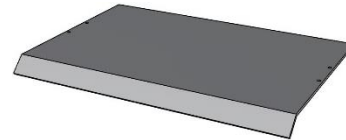
Attach shield to the top of half-moons using 4 button cap screws.



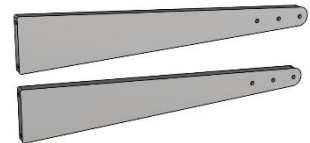
Base



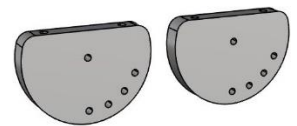
Acrylic Shield



Legs



Half Moons



Hardware



4

To rotate the shield, take out the bottom screw on both half-moons. Tilt the shield forward so that one of the other holes in the half moons lines up with the hole in the leg and reinstall both bottom screws.



Scan QR code to visit  
the product page:



If you have any questions regarding our products, please visit us at [www.displays2go.com](http://www.displays2go.com) or contact D2G customer service 844-221-3388.