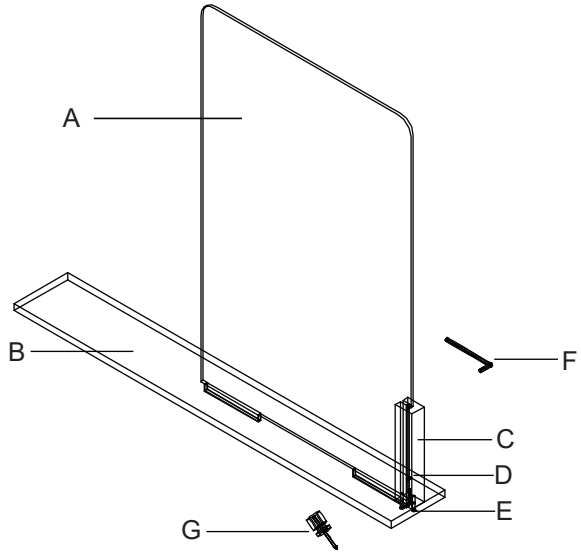


Assembly Instructions

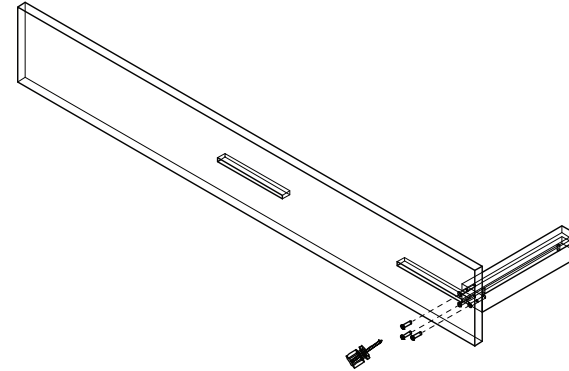
SMSDAWBHT - Acrylic and Wood Hygiene Barrier



V20.10



1. Align holes on the bottom of the Wooden Support (C) and the holes on the Wooden Base (B) as shown. Use 3 M4 Screws (E) and Screw Driver (G) to secure wooden support with the base.



2. Move the assembled base to its standing position. Slide the Acrylic Panel (A) down with tabs inserted into the cutouts in the base, and then fix it with 2 M4 Set Screws (D) and Allen Key (F) as shown.

Parts List:

	Qty:
A. Acrylic Panel	1
B. Wooden Base	1
C. Wooden Support	1
D. M4 Screw (Hex Socket Set Screw)	2
E. M4 Screw	3
F. Allen Key	1
G. Screw Driver	1

Scan QR code to visit the product page:

