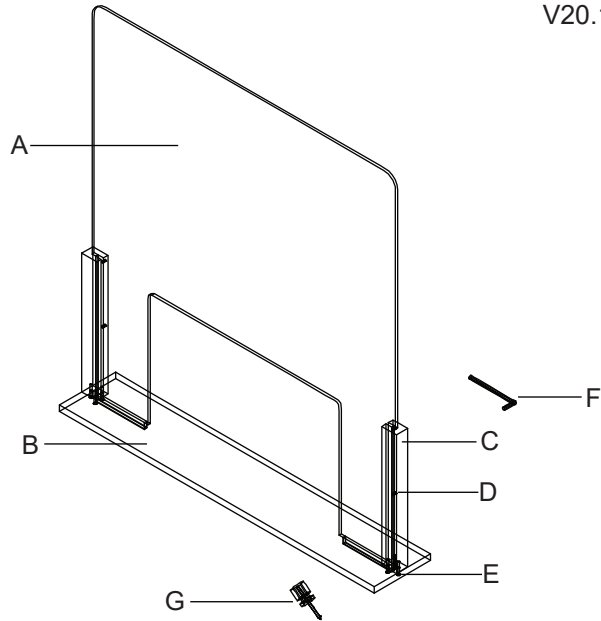


Assembly Instructions

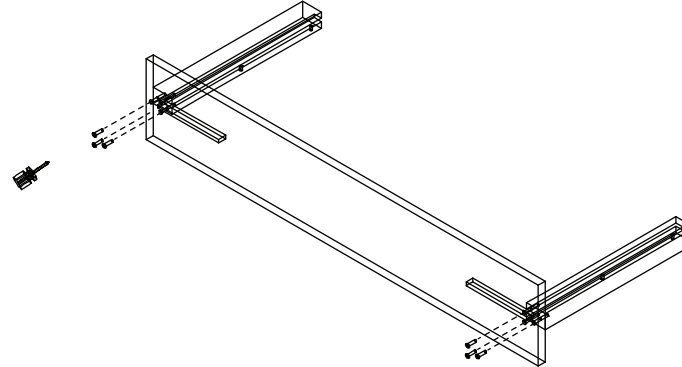
SMSDAWBLO - Acrylic and Wood Hygiene Barrier with Opening



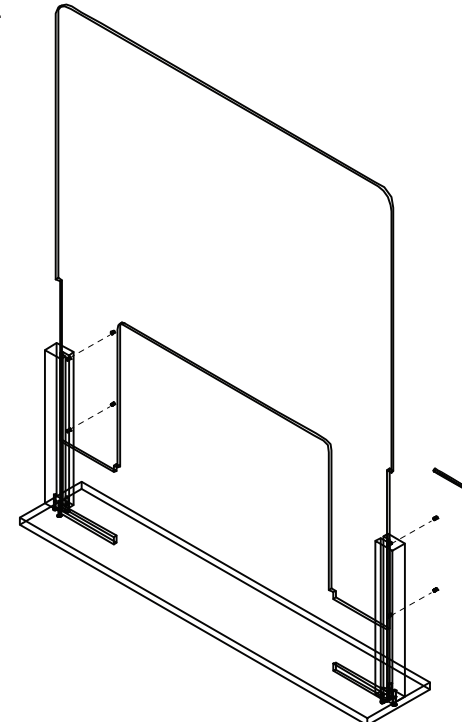
V20.10



1. Attach 1 Wooden Support (C) to Wooden Base (B) with holes aligned as shown. Use 3 M4 Screws (E) and Screw Driver (G) to secure wooden support with the base. Assemble the other wooden support the same way.



2. Move the assembled base to its standing position. Slide the Acrylic Panel (A) down with the bottom inserted into the cutouts in the base, and then fix it with 2 M4 Set Screws (D) and Allen Key (F) as shown.



Parts List:

	Qty:
A. Acrylic Panel	1
B. Wooden Base	1
C. Wooden Support	1
D. M4 Screw (Hex Socket Set Screw)	4
E. M4 Screw	6
F. Allen Key	1
G. Screw Driver	1

Scan QR code to visit the product page:

