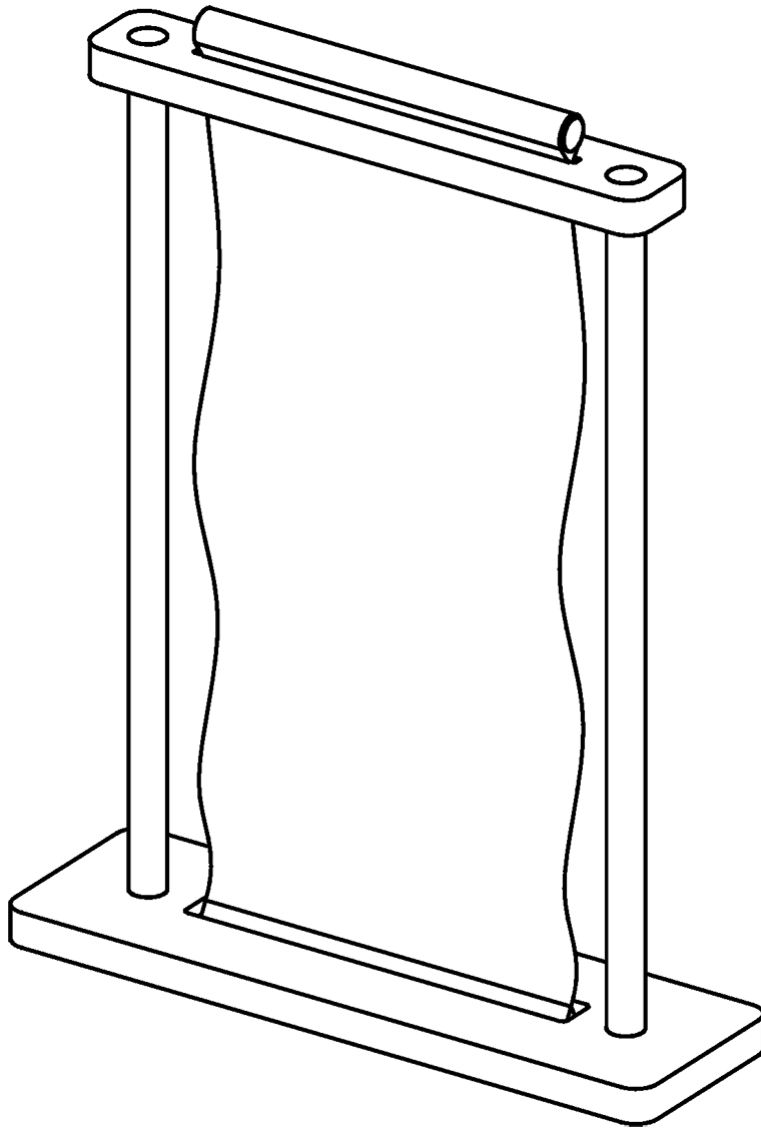

POST UP STAND

YOUR MESSAGE IS OUR MISSION

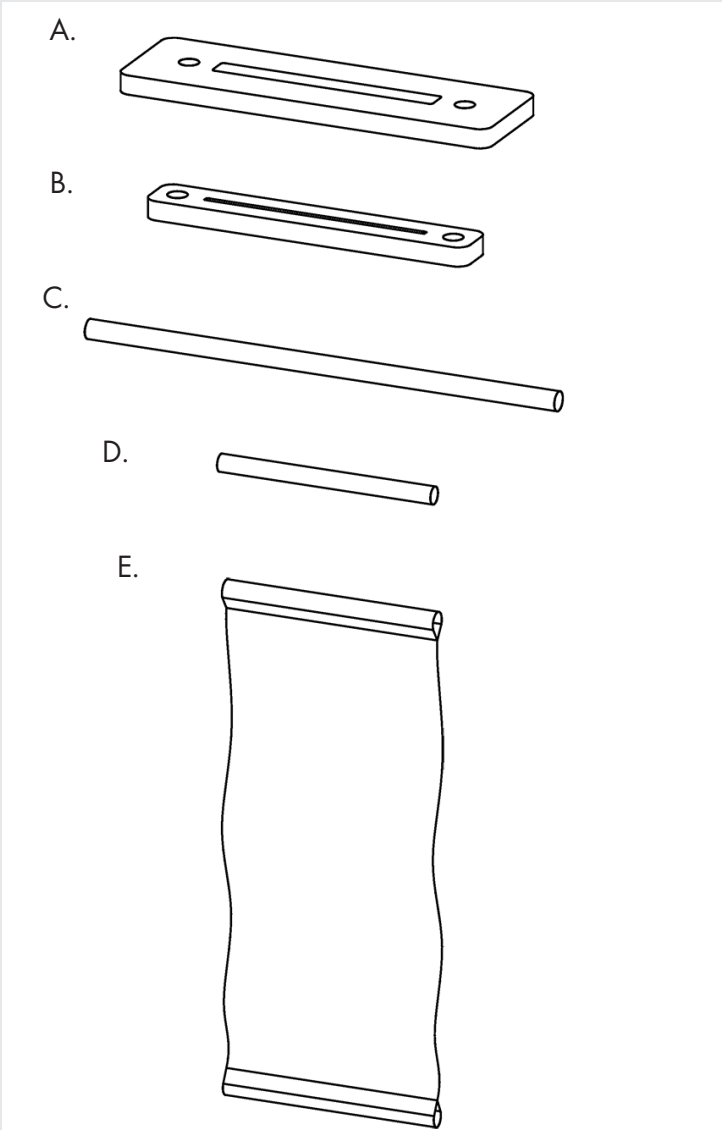


SKUs: SMTTWDBNRKT, LGTTWDBNRKT

ECO FRIENDLY TABLETOP BANNER STAND

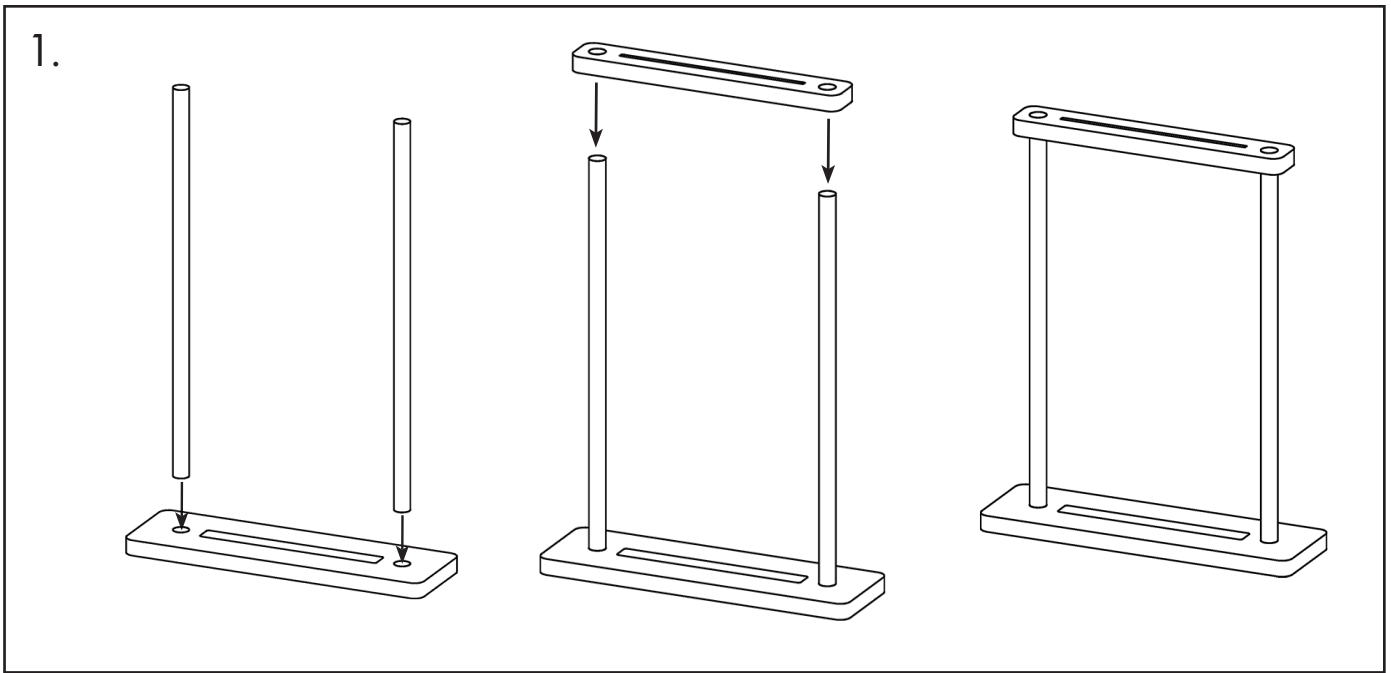
Assembly Instructions

PARTS LIST

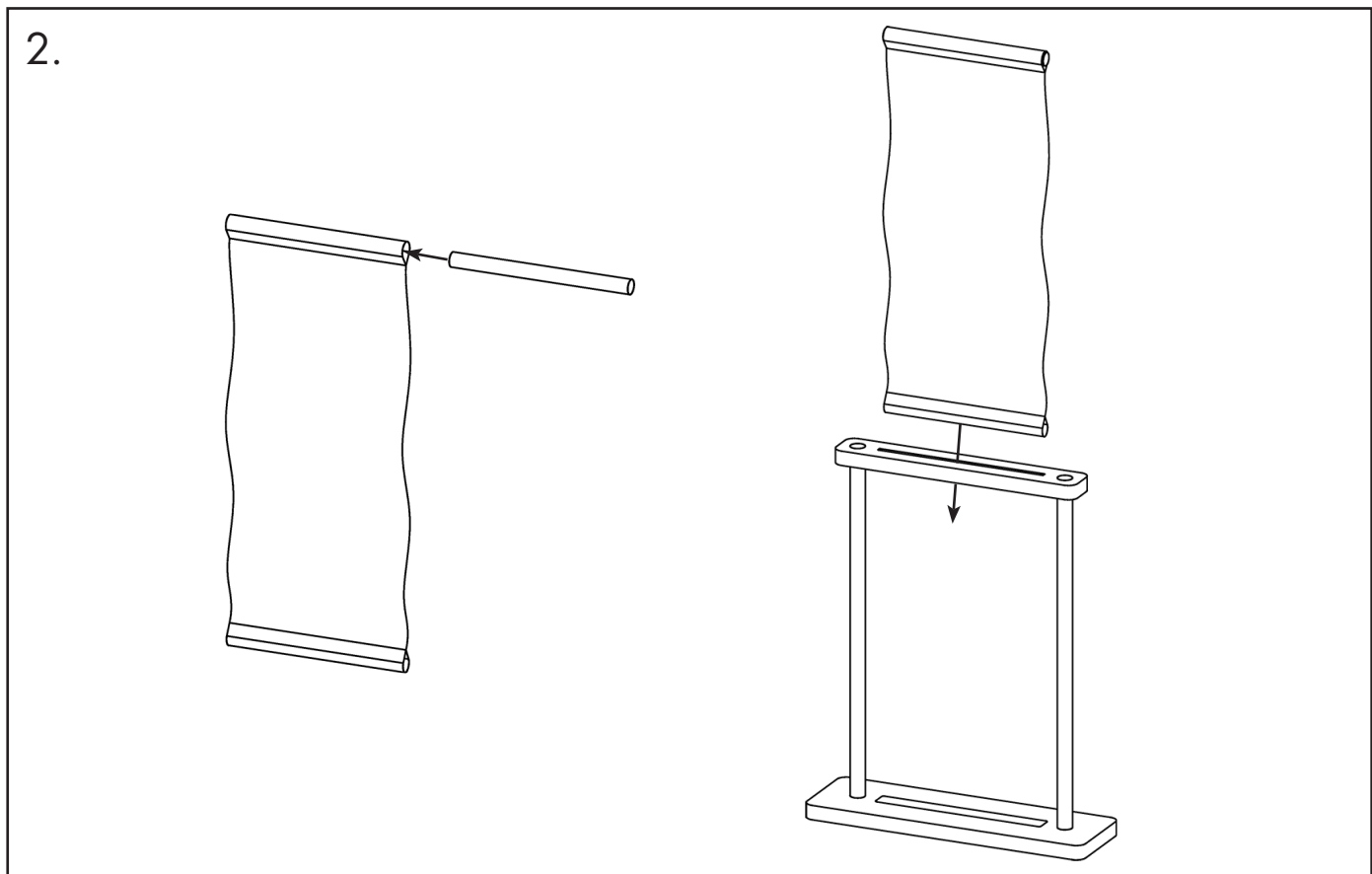


PART	QUANTITY
A: Banner Base	1
B: Banner Top	1
C: Vertical Pole.....	2
D: Hanging Bar	2
E: Graphic Banner	1

If you have any questions regarding our products, please visit us at www.postupstand.com or contact our customer service at 1-800-935-3534.

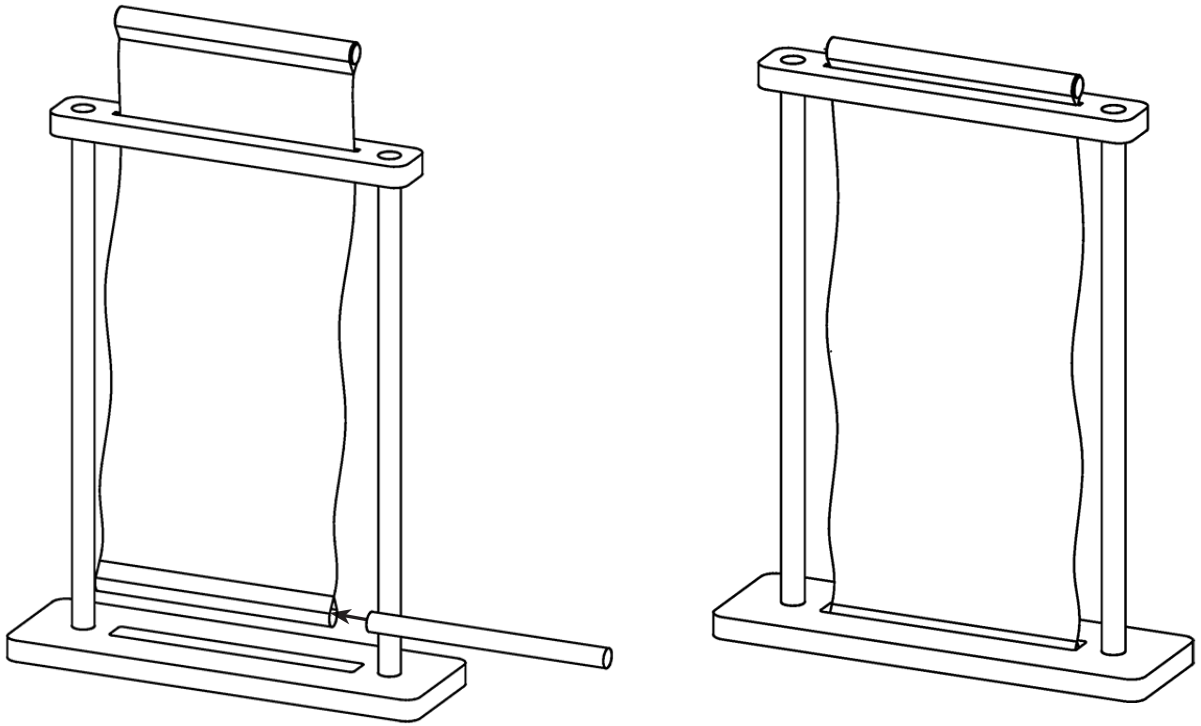


1. Insert 2 Vertical Poles (C) into the pre-drilled holes in Banner Base (A).
Connect the Banner Top (B) with 2 poles as shown above.



2. Insert 1 Hanging Bar (D) into the pocket on top of the Graphic Banner (E).
Insert the bottom pocket into the cutout in the top frame.

3.



3. Insert the 2nd Hanging Bar (D) into the bottom pocket and place it inside the center slot in the base. The assembly is finished.