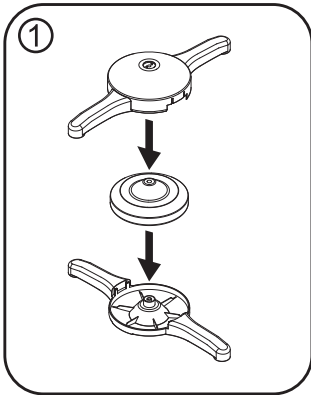
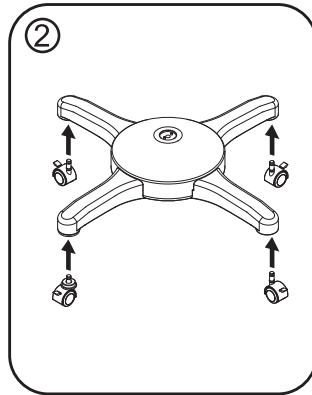


Assembly Instructions

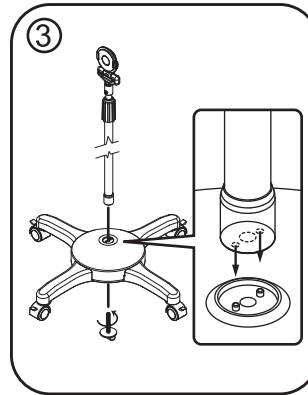
UTABLETRL - Universal Tablet Stand - Rolling



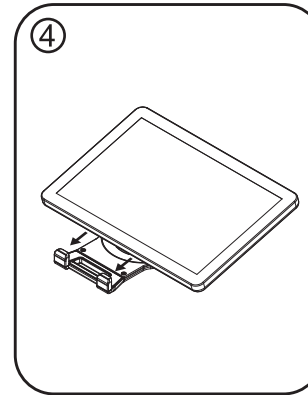
Assemble the base.



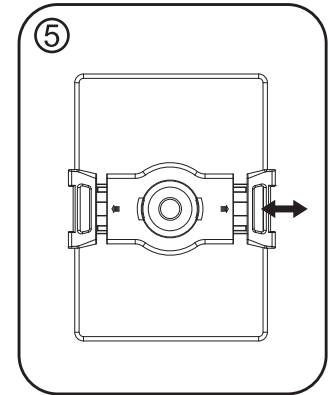
Insert casters into the bottom of the base.



Place the pole at the center of the base and insert the screw from the bottom and tighten it.

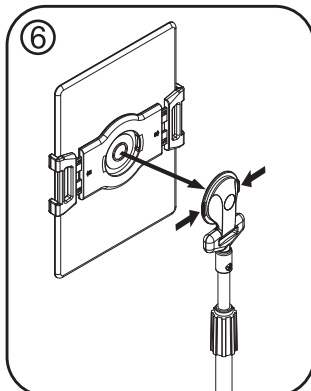


Slide the tablet into 1 side of the tablet holder.

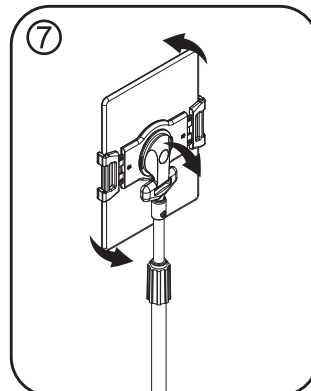


Extend the clamp to let the tablet slide in then release.

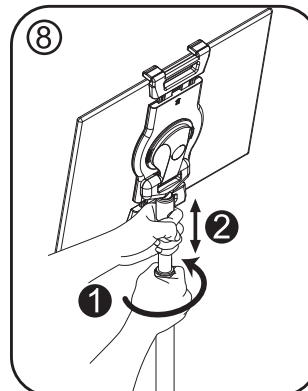
CAUTION: Make sure the tablet is secured inside the holder



Attach the tablet holder to the top of the pole.

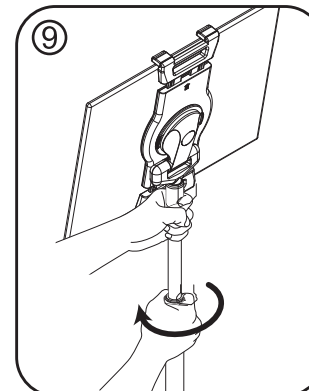


Adjust the tablet to the desired orientation.

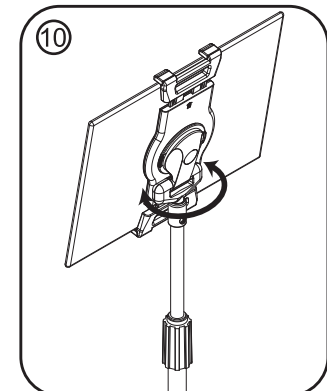


Loosen the knob to adjust the height of the tablet.

CAUTION: Hold the pole firmly when adjusting the height.



Tighten the knob to secure the tablet in place.



The tablet can rotate 360° horizontally.

Scan QR code to visit the product page:

