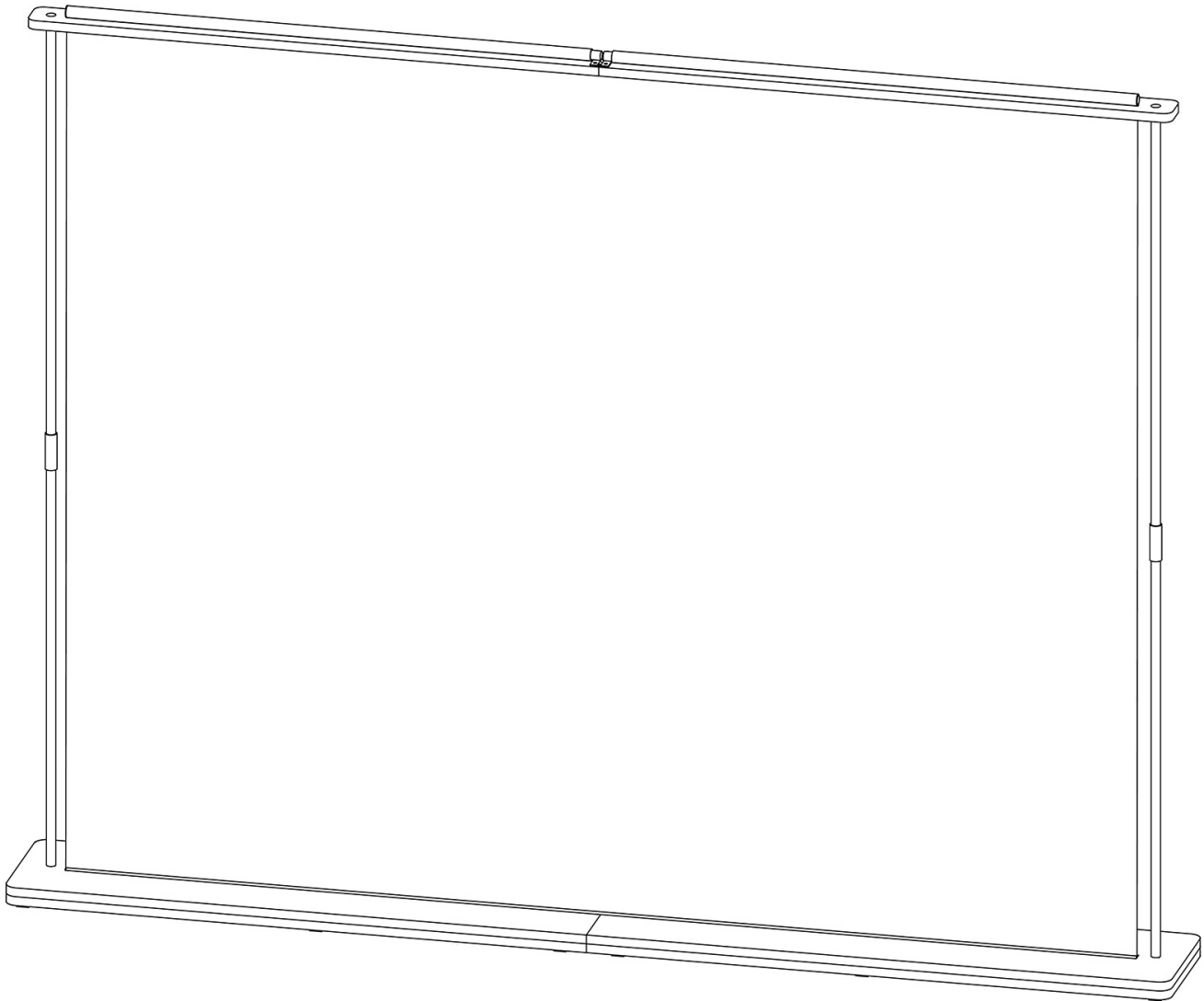

POST UP STAND

YOUR MESSAGE IS OUR MISSION

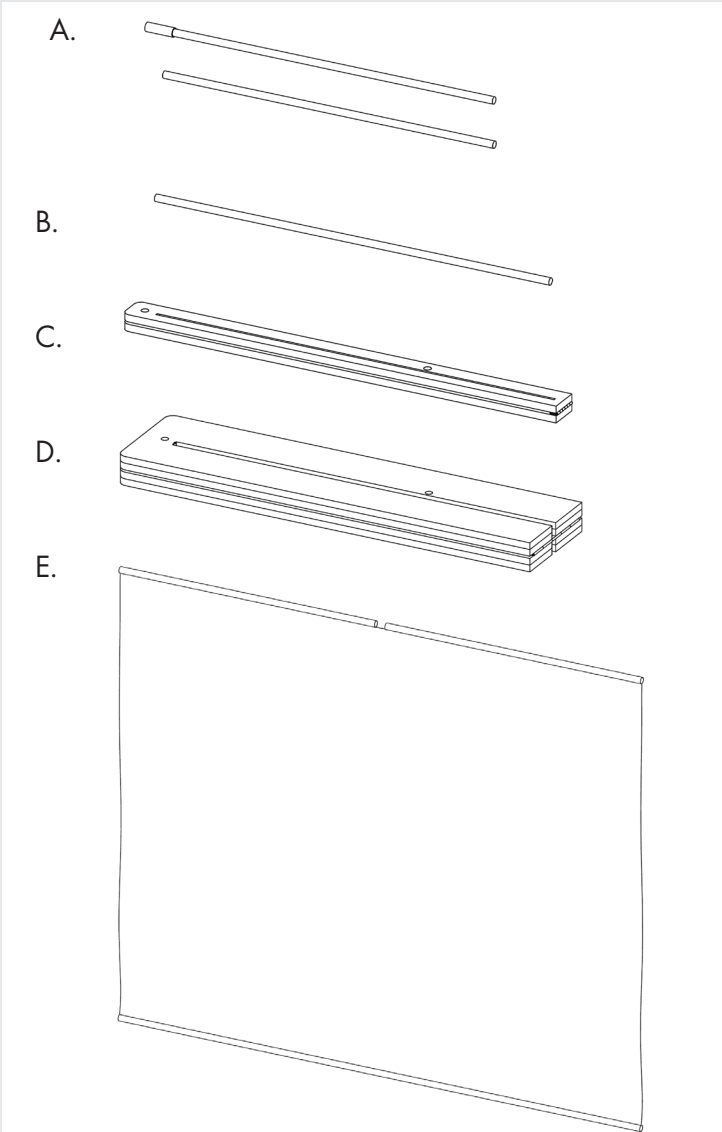


SKU: WDBCKWALLKT

ECO FRIENDLY BACKWALL

Assembly Instructions

PARTS LIST

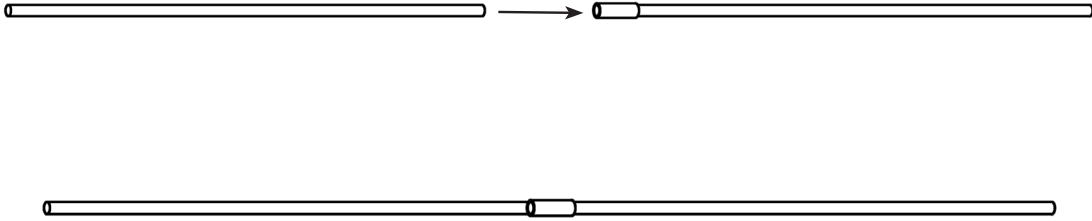


PART	QUANTITY
A: Vertical Pole Set	4
B: Hanging Bar	4
C: Banner Top	2
D: Banner Base	2
E: Backwall.....	1

Remove all parts from the box and make sure all parts are present.

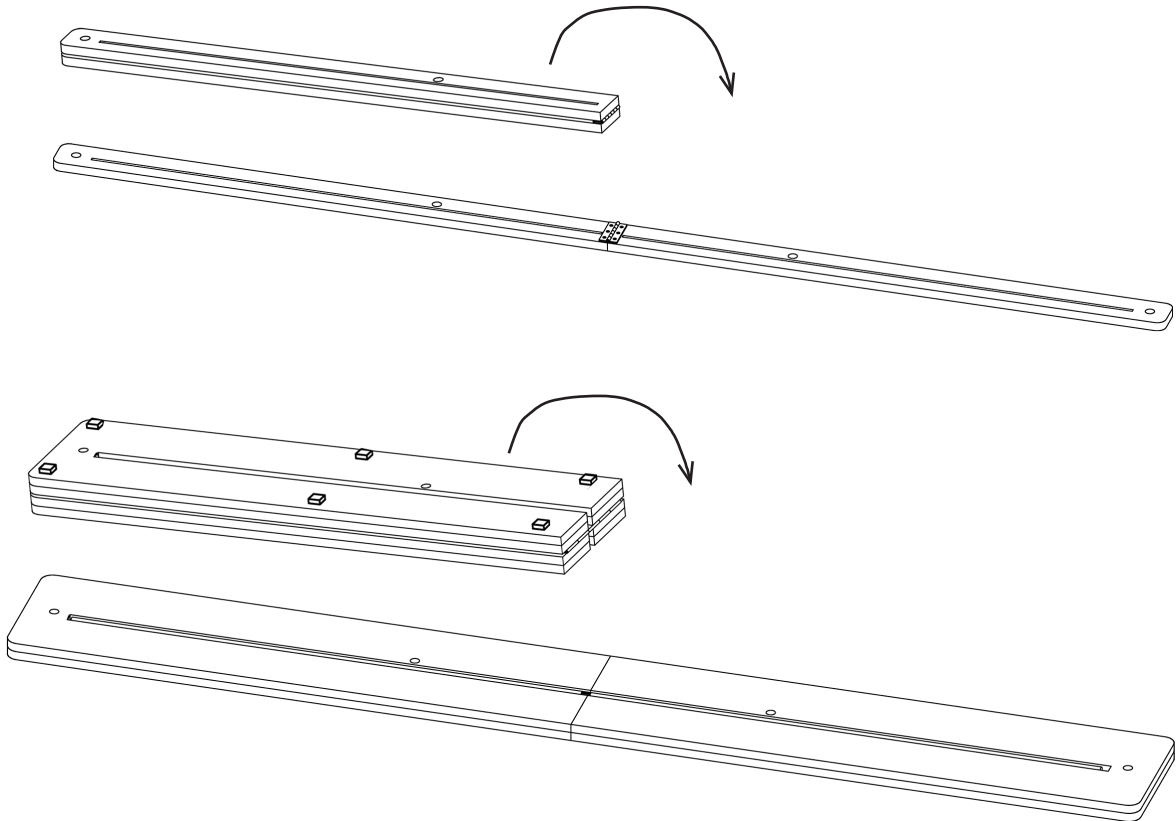
If you have any questions regarding our products, please visit us at www.postupstand.com or contact our customer service at 1-800-935-3534.

1.

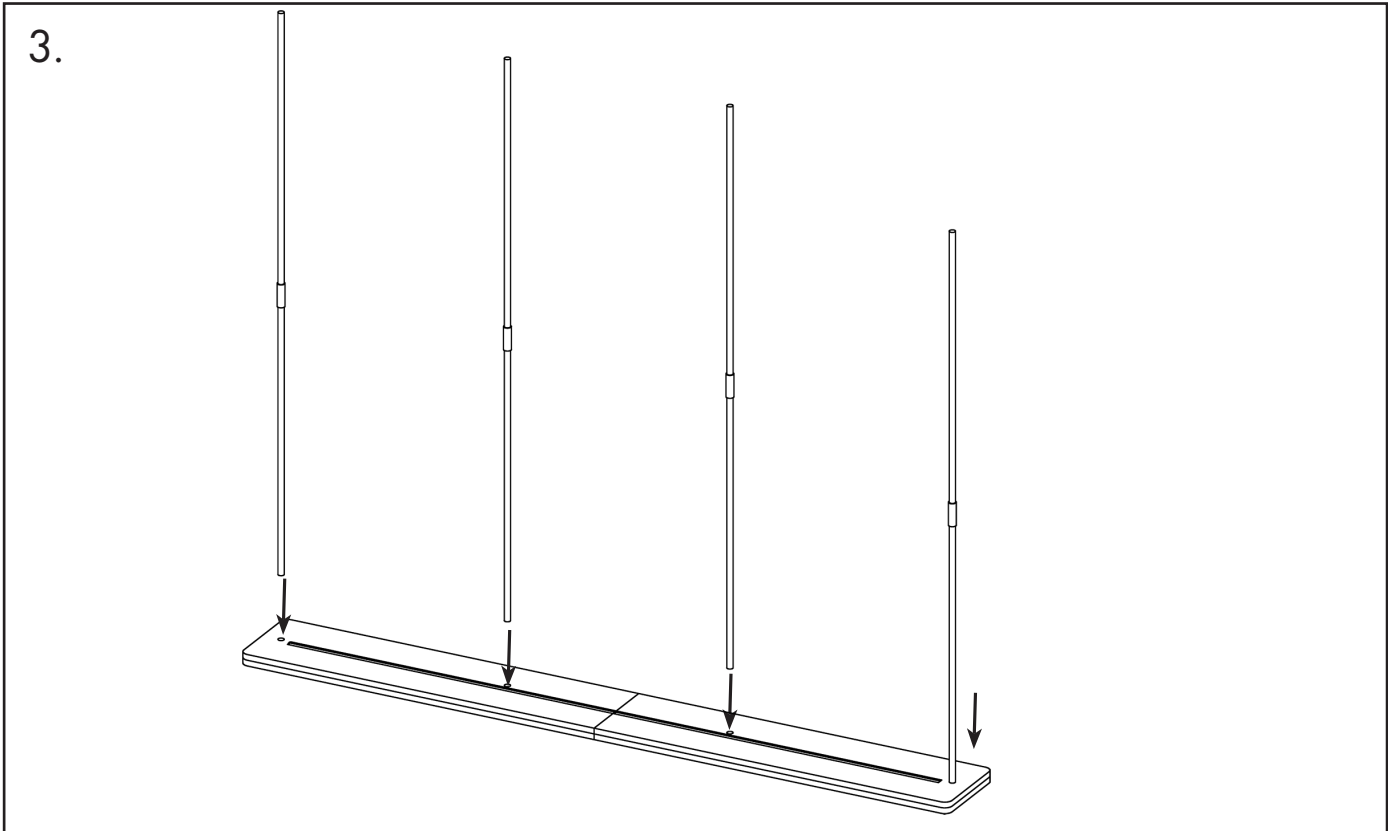


1. Assemble one vertical pole (A) together by inserting the wooden dowel into the sleeve as shown above. Repeat the step and connect all the vertical poles.

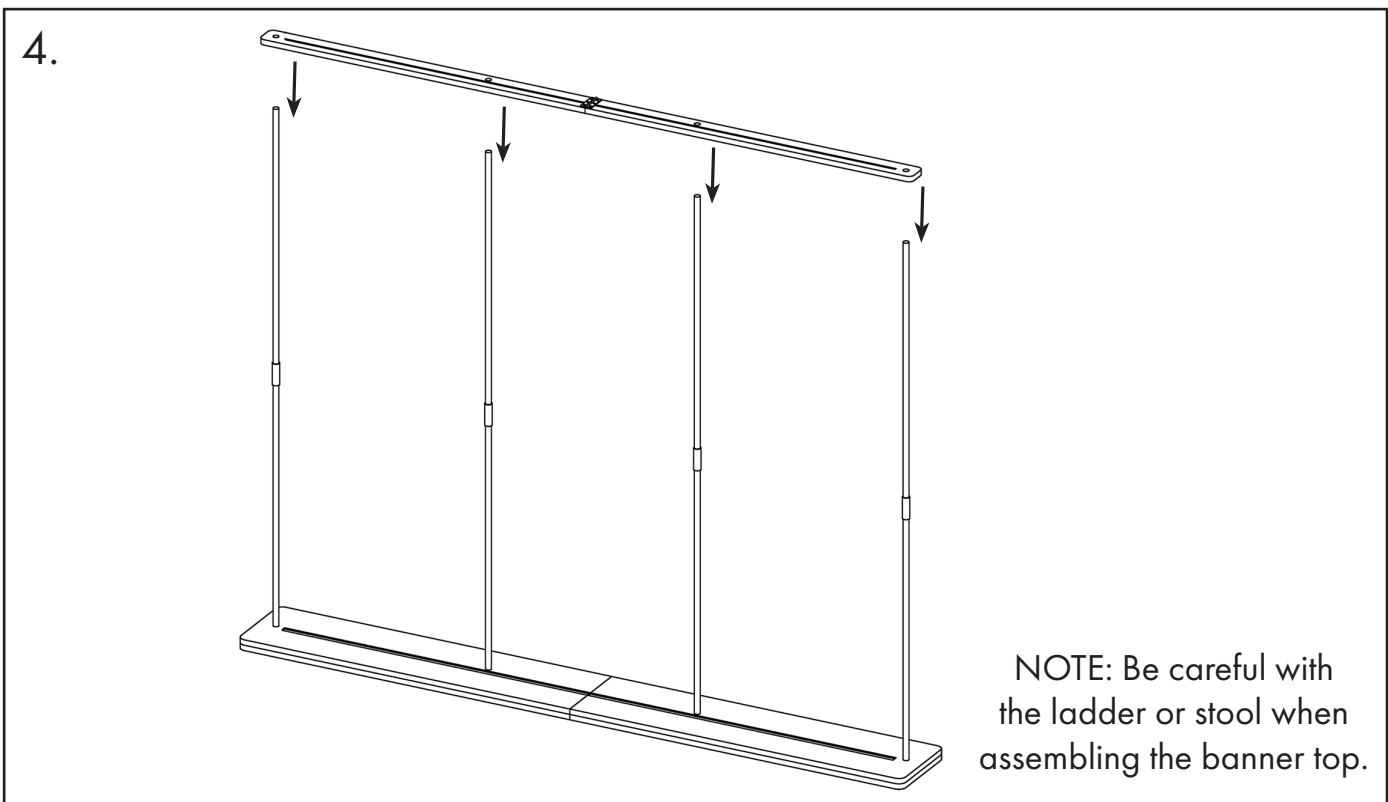
2.



2. Expand the Banner Top (C) and Banner Base (D).

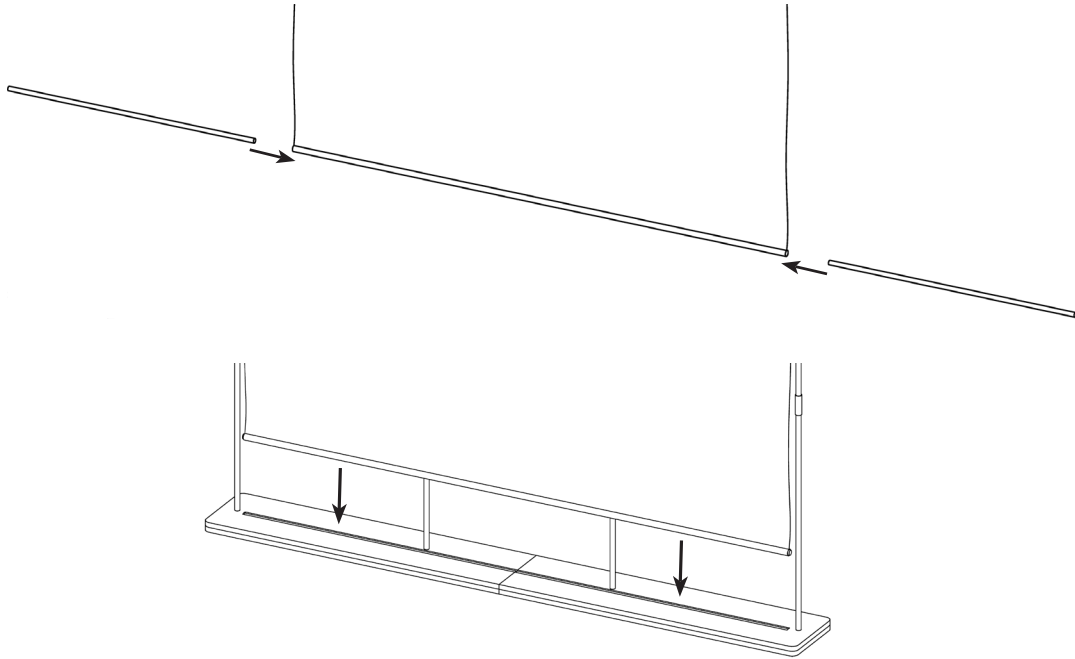


3. Insert 1 vertical pole into each predrilled hole in the base.



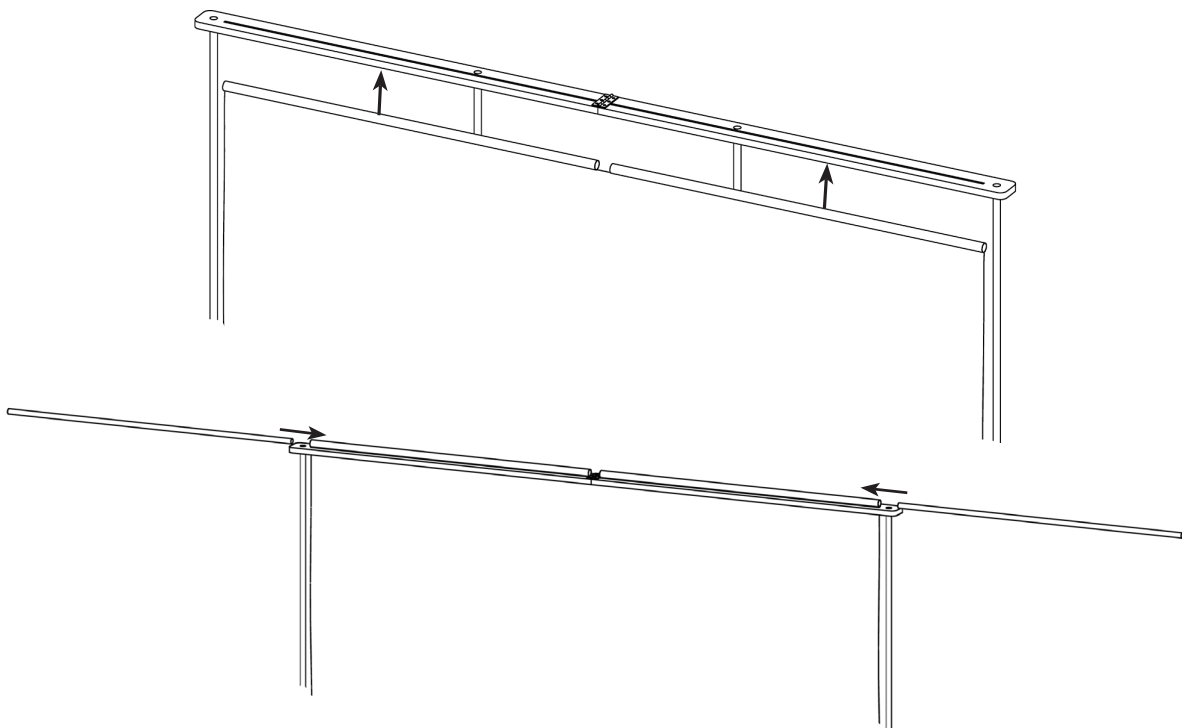
4. Attach the Banner top to the frame by inserting each pole into the corresponding holes.

5.



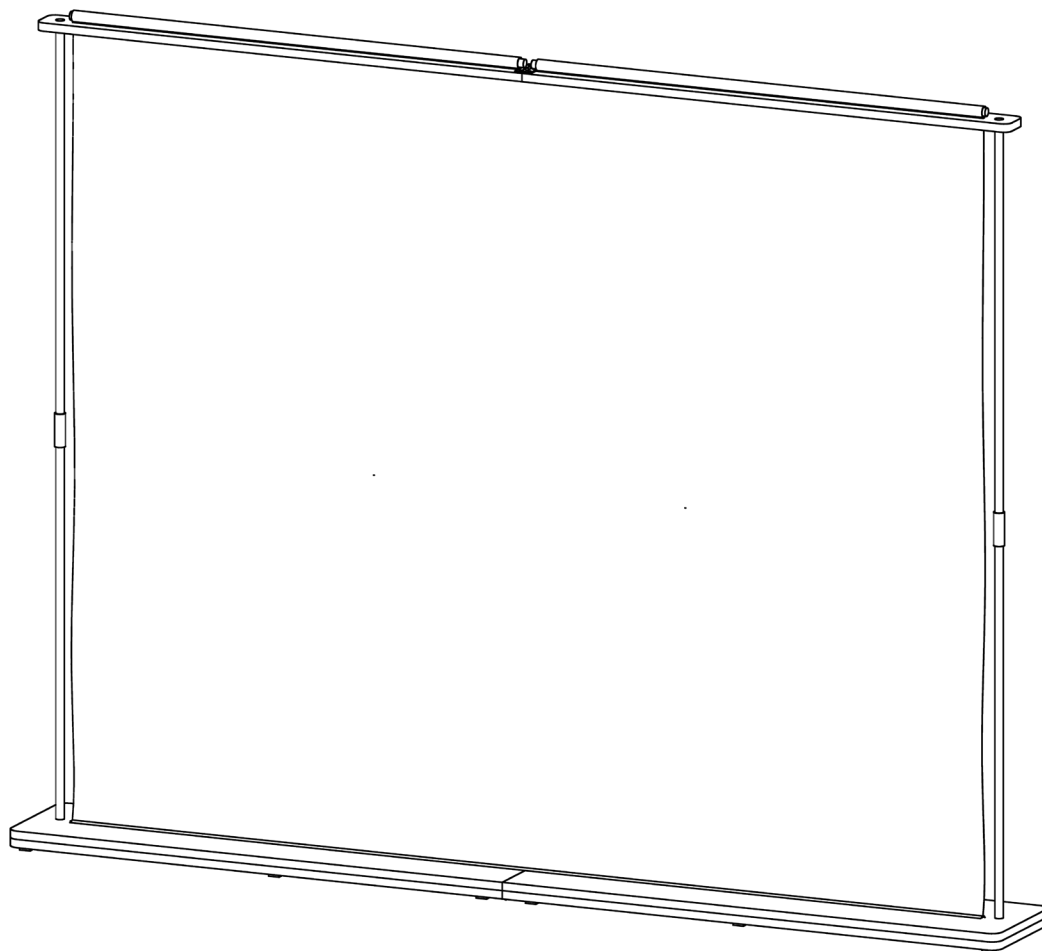
5. Insert 1 Hanging Bar (B) into the pocket at the bottom of the printed Backwall (E). Insert the 2nd one from the other side. Place the bottom of the backwall inside the groove in the base.

6.



6. Slide the top of the backwall into the slot in the banner top and hold it in place. Insert the remaining hanging bars into the pocket.

7.



7. The assembly is finished.