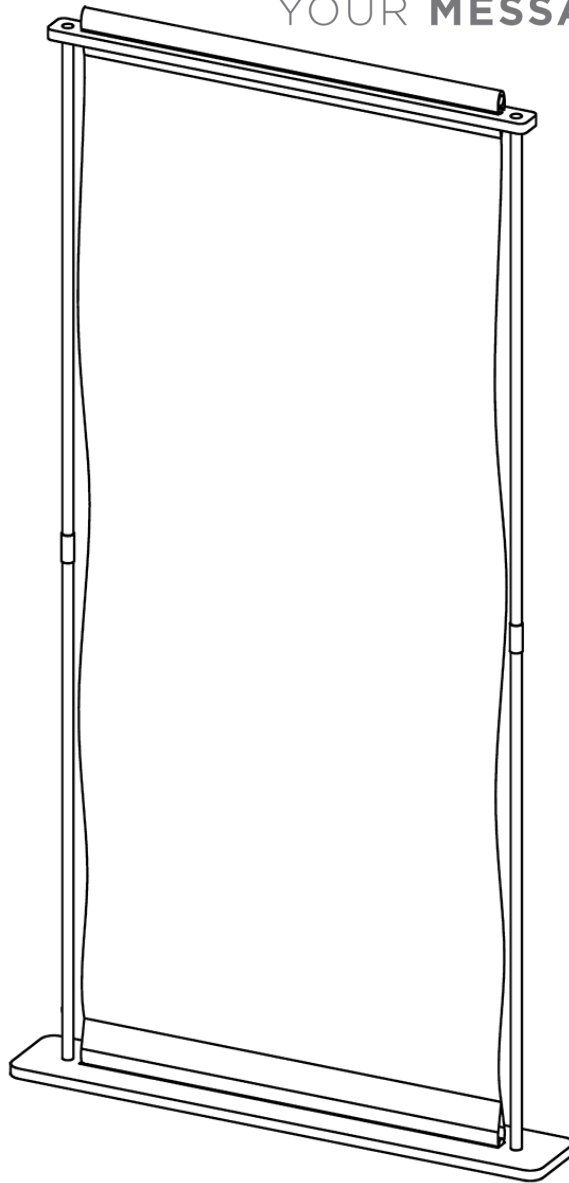

POST UP STAND

YOUR MESSAGE IS OUR MISSION

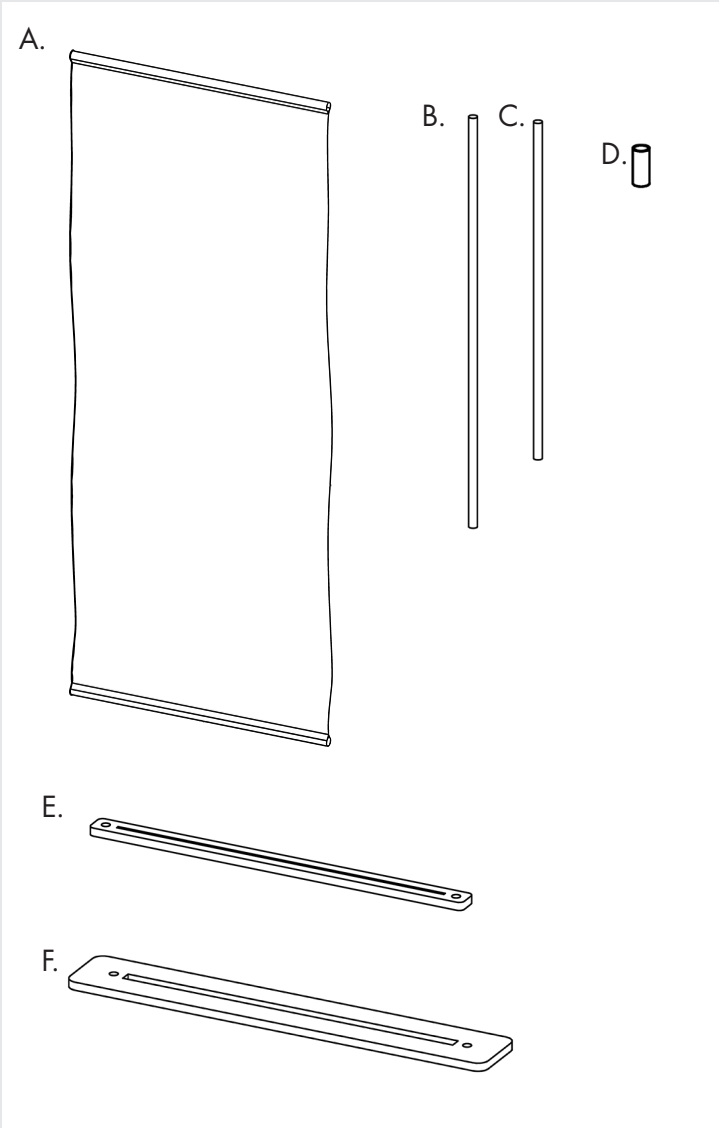


SKUs: WDBNRSTDKT

ECO FRIENDLY WOOD BANNER STAND

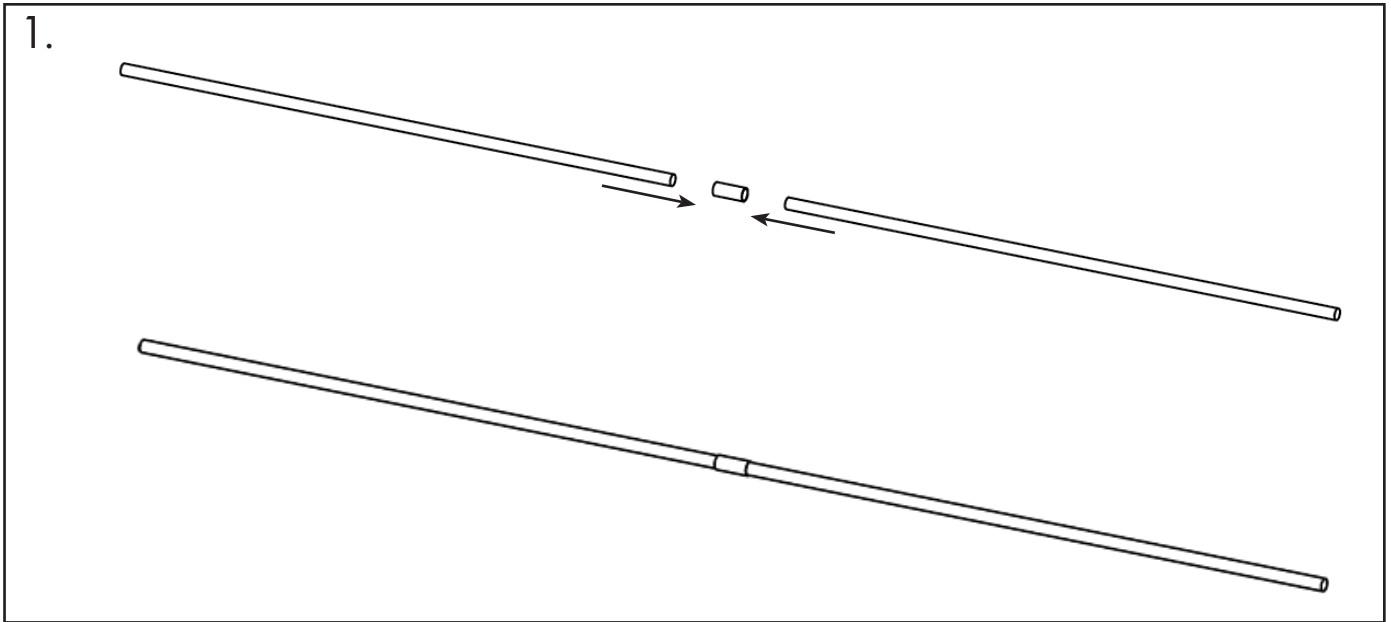
Assembly Instructions

PARTS LIST

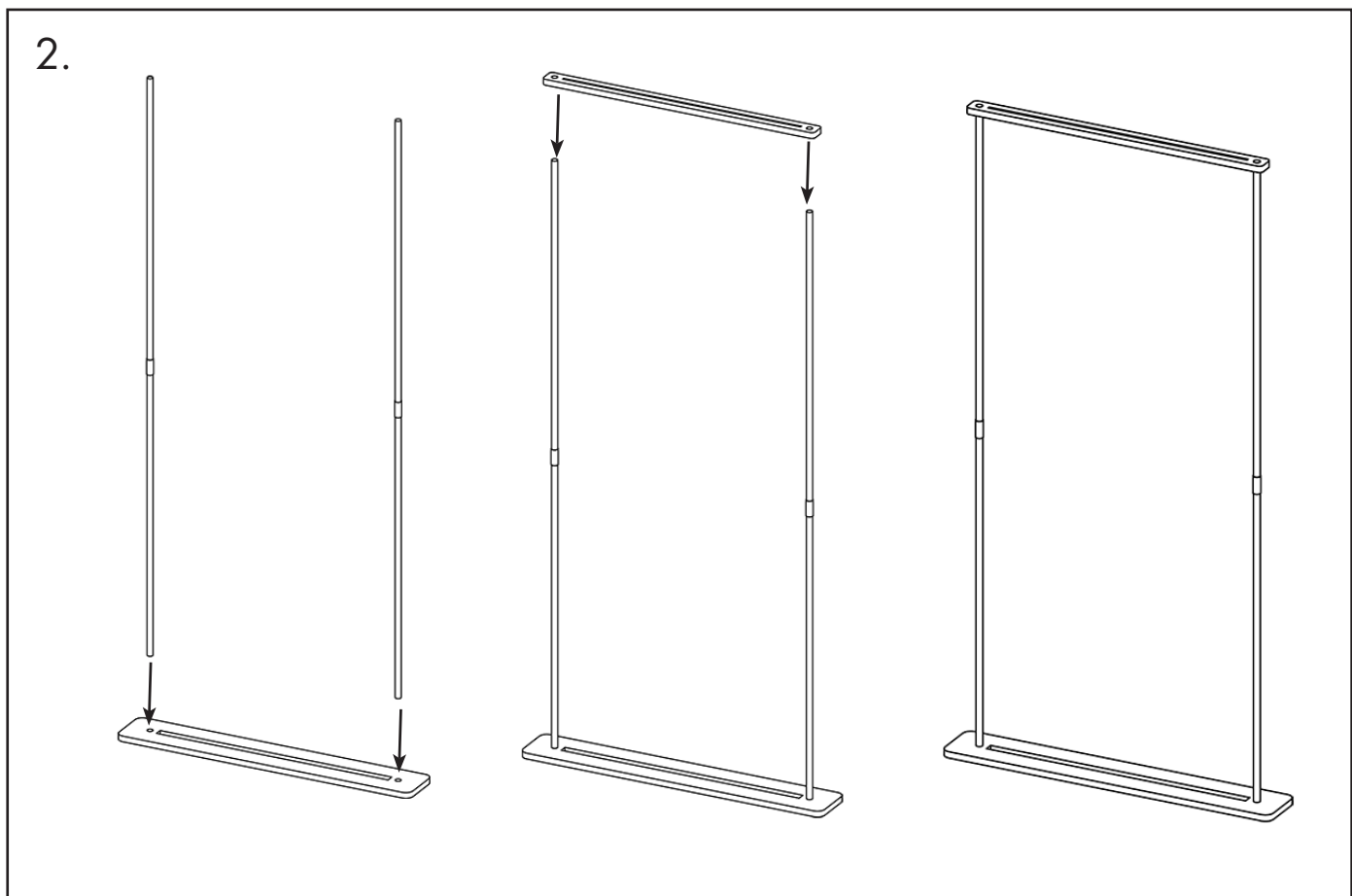


PART	QUANTITY
A: Graphic Banner.....	1
B: Vertical Pole	4
C: Hanging Bar	2
D: Pole Connector.....	2
E: Banner Top	1
F: Banner Base	1

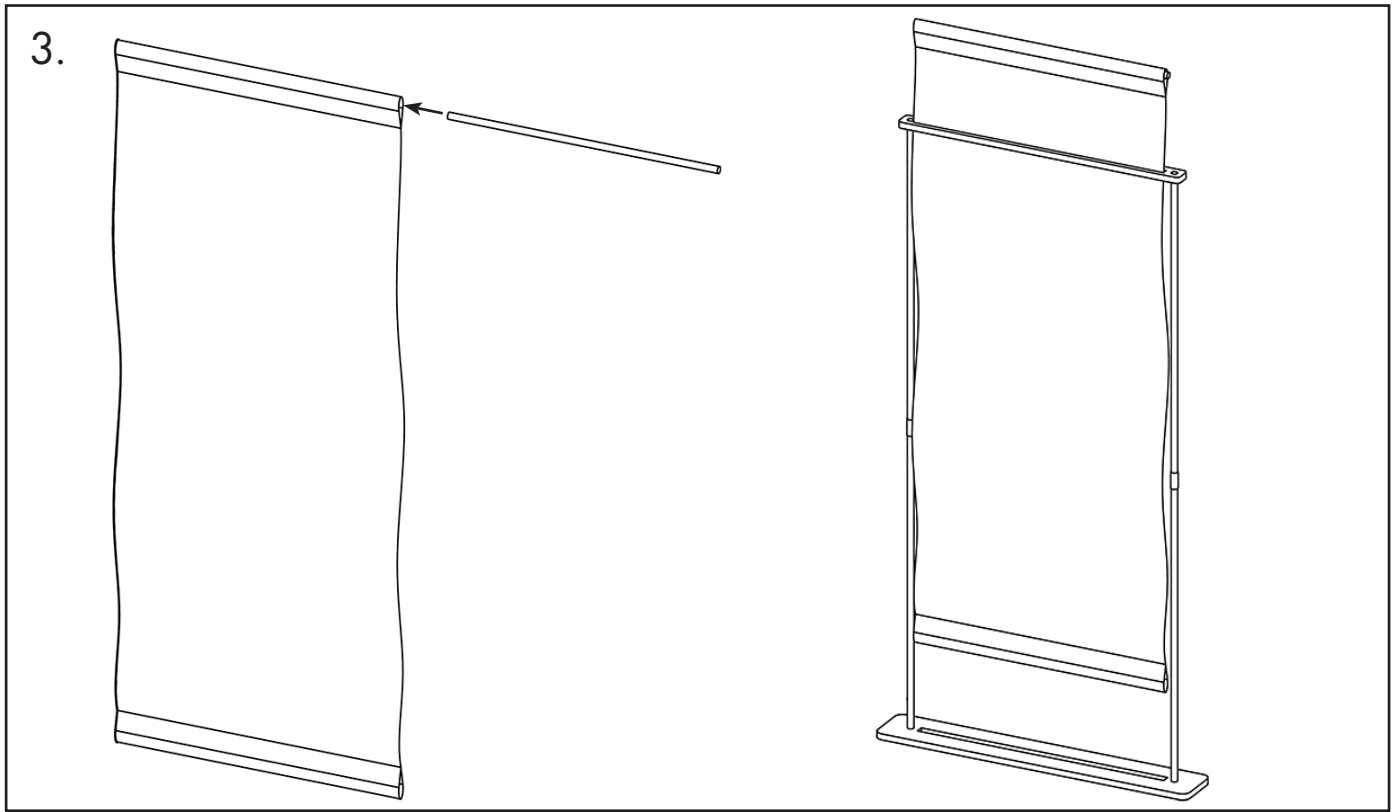
If you have any questions regarding our products, please visit us at www.postupstand.com or contact our customer service at 1-800-935-3534.



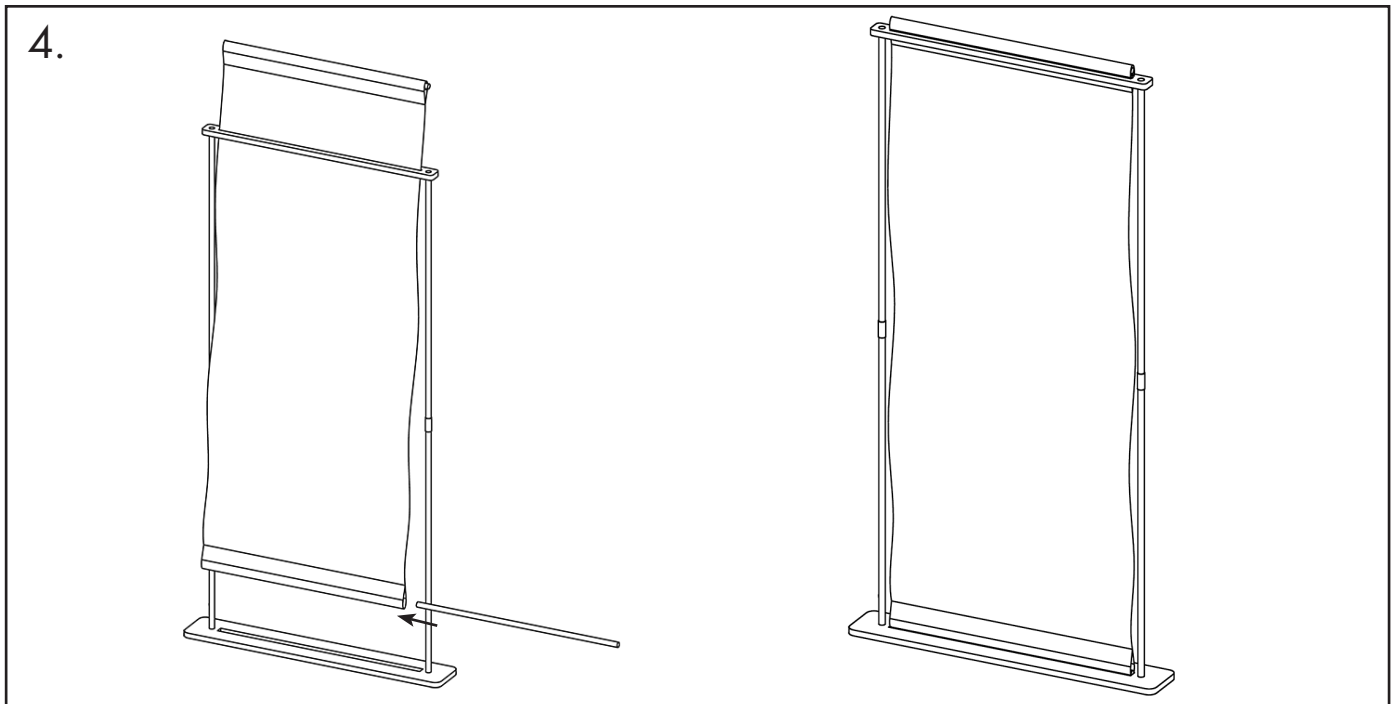
1. Connect 2 Vertical Poles (B) by using a plastic Connector (D) as shown above.
Repeat the step to join the other vertical pole.



2. Insert the assembled poles into the base (F). Connect the Banner Top (E) with side poles the same way.



3. Insert 1 Hanging Bar (C) into the pocket on top of the Graphic Banner (A).
Insert the bottom pocket into the cutout in the top frame.



4. Insert the 2nd hanging bar into the bottom pocket and place it into the center slot in the base.
The assembly is finished.