



**DISPLAYS2GO**  
CONNECTING PEOPLE & BRANDS WITH THE WORLD

## Assembly Instructions



SKU: XINTCBDS001  
XINTCBPN002  
XINTCBBH003

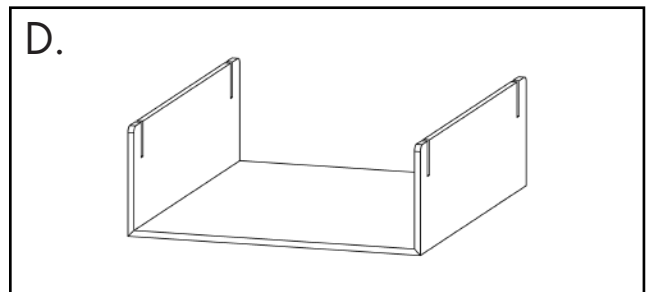
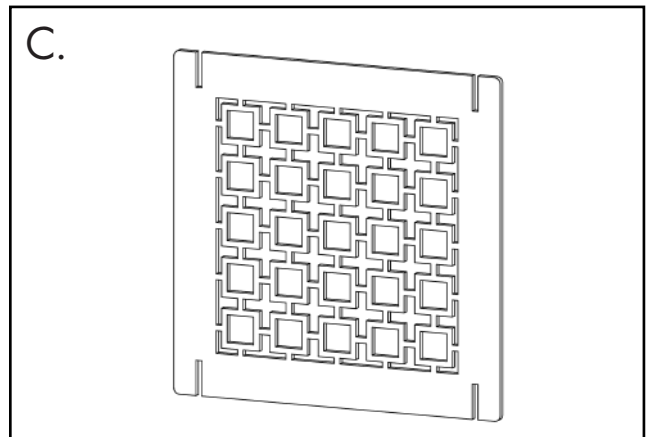
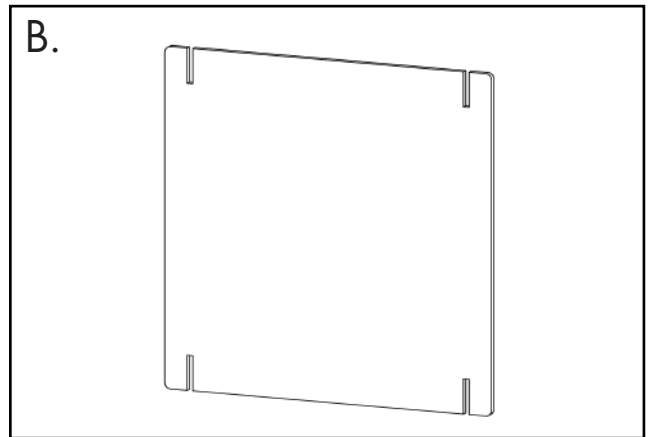
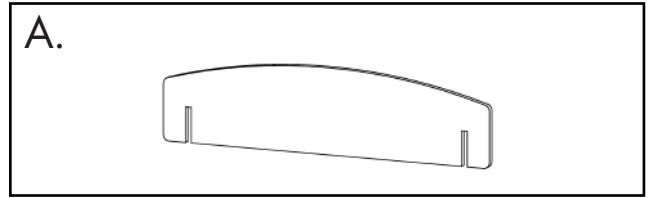
## Eco Cube Towel Display



GREENPRINT PRODUCTS

# PARTS LIST

PART	QUANTITY
A. Header .....	2
B. Solid Panel .....	4
C. Perforated Panel .....	4
D. Base.....	1

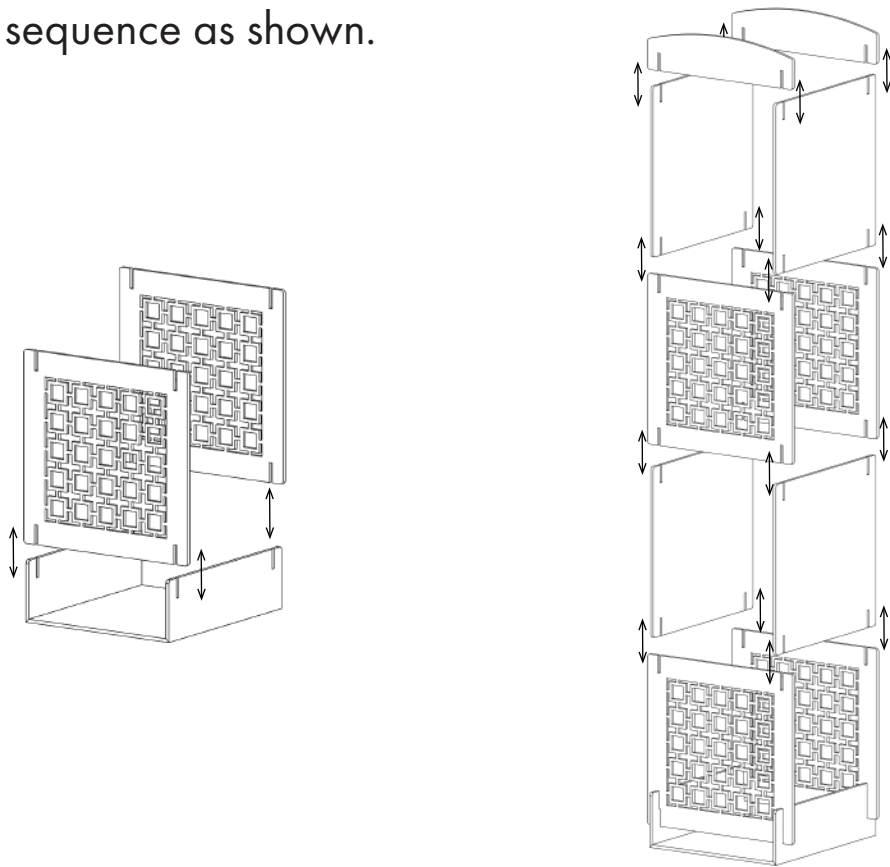


Scan QR code to visit  
product page

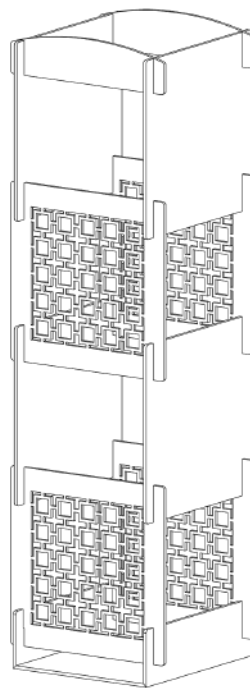


If you have any questions regarding our products, please visit us at [www.displays2go.com](http://www.displays2go.com) or contact Displays2go customer service at 844-221-3388.

1. Interlock two perforated panels with the base. Connect the remaining panels in sequence as shown.



2. Make sure all the panels are securely interlocked. The assembly is finished.



CONTACT INFORMATION:  
[www.displays2go.com](http://www.displays2go.com)  
PHONE: 844-221-3388