
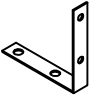




ASSEMBLY INSTRUCTIONS

SMCTSDWHT - Countertop Tiered Shelving Display

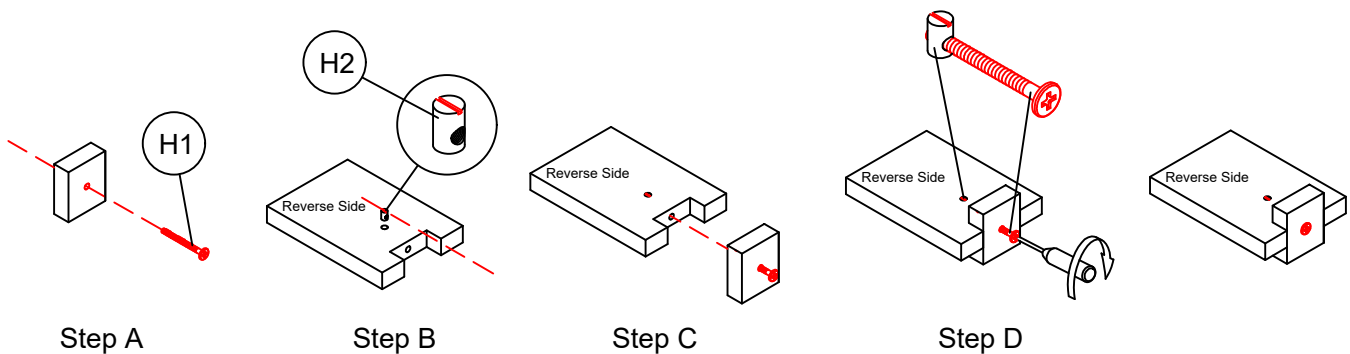
V20.08

PARTS			HARDWARE			
A	Top Panel	1 pc	H1 Bolt 16 pcs		H3 Angle Bracket 3 pcs	
B,C	Shelf	2 pcs				
D	Bottom Panel	1 pc	H2 Barrel Nut 16 pcs		H4 Wood Screw 9 pcs	
E,F,G	Vertical Panel	3 pcs				

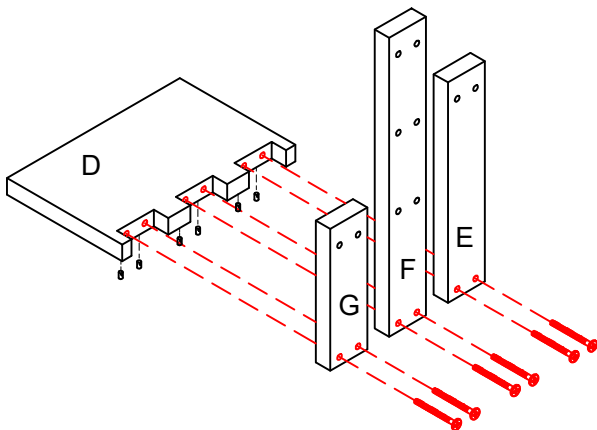
ATTENTION: Before you start assembling the display, prepare a soft surface work area on the floor. You will need a phillips screwdriver and a flat screwdriver. To avoid damage to the laminated wood surfaces, keep hardware parts separated until they are needed for assembly. 2 PERSON RECOMMENDED.

How to join 2 panels with Bolt and Barrel Nut:

- Insert Bolt [H1] through the pre-drilled hole on a vertical panel.
- Insert Barrel Nut [H2] into the hole on the bottom side hole of a horizontal panel.
Tips: Use flat screwdriver to rotate the barrel nut and align the through hole with the direction of the bolt.
- Insert the bolt into the hole on the side of the horizontal panel and catch the barrel nut.
- Use a phillips screwdriver to turn the bolt clockwise to fix the horizontal panel with the vertical panel. Do not over tighten.



1. Attach Bottom Panel (D) to Vertical Panels (E, F, G) using Bolts (H1) and Barrel Nuts (H2) as shown.



2. Attach Shelf (C) to Vertical Panels (F, G) using Bolts (H1) and Barrel Nuts (H2).

