
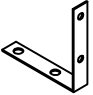




ASSEMBLY INSTRUCTIONS

SMFSTSDWHT - Floor-Standing Tiered Shelving Display

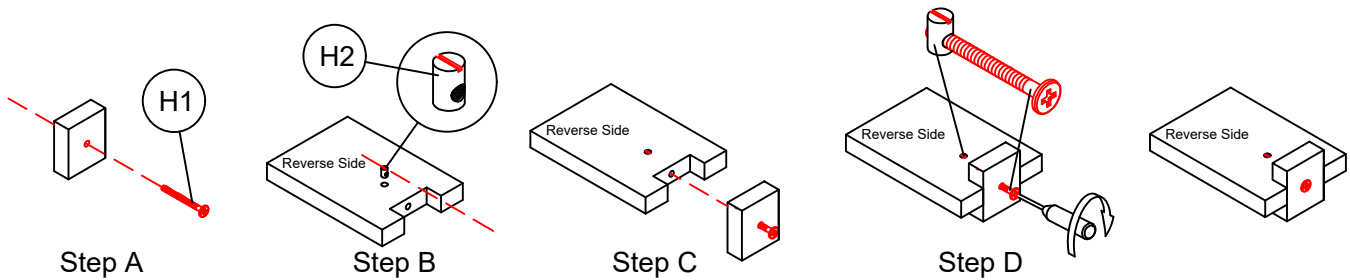
V20.08

PARTS			HARDWARE			
A,B	Top Panel	2 pcs	H1 Bolt 18 pcs		H3 Angle Bracket 3 pcs	
C,D	Shelf	2 pcs				
E	Bottom Panel	1 pc	H2 Barrel Nut 18 pcs		H4 Wood Screw 9 pcs	
F,G,H	Vertical Panel	3 pcs				

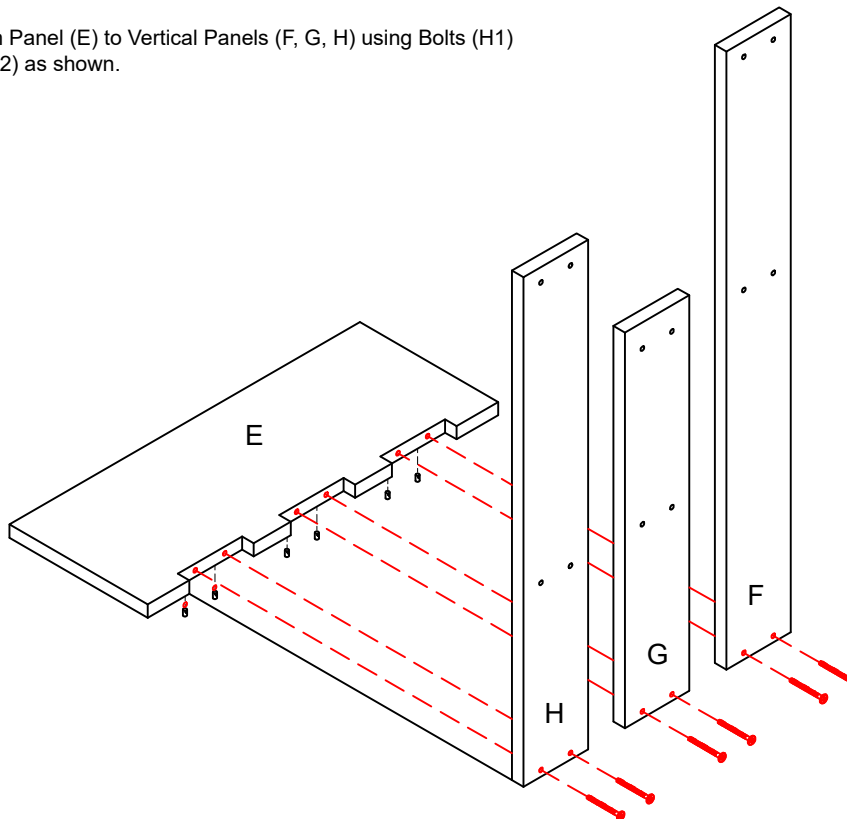
ATTENTION: Before you start assembling the display, prepare a soft surface work area on the floor. You will need a phillips screwdriver and a flat screwdriver. To avoid damage to the laminated wood surfaces, keep hardware parts separated until they are needed for assembly. **2 PERSON RECOMMENDED.**

How to join 2 panels with Bolt and Barrel Nut:

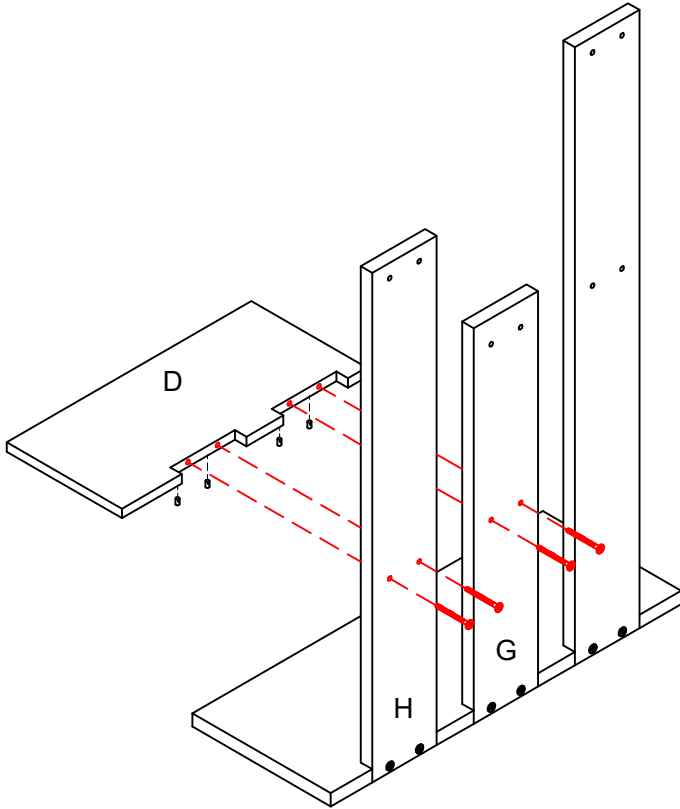
- Insert Bolt [H1] through the pre-drilled hole on a vertical panel.
- Insert Barrel Nut [H2] into the hole on the bottom side hole of a horizontal panel.
 Tips: Use flat screwdriver to rotate the barrel nut and align the through hole with the direction of the bolt.
- Insert the bolt into the hole on the side of the horizontal panel and catch the barrel nut.
- Use a phillips screwdriver to turn the bolt clockwise to fix the horizontal panel with the vertical panel. Do not over tighten.



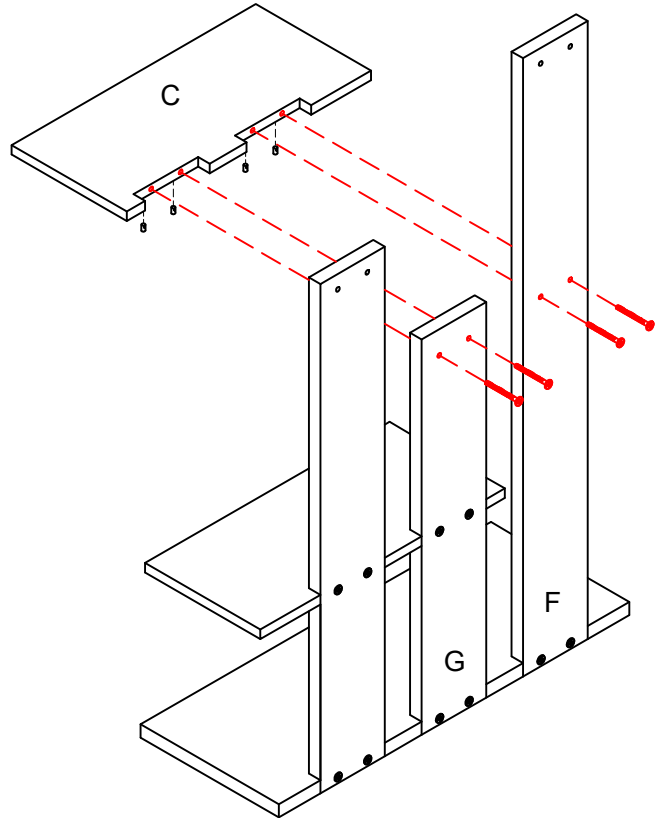
- Attach Bottom Panel (E) to Vertical Panels (F, G, H) using Bolts (H1) and Barrel Nuts (H2) as shown.



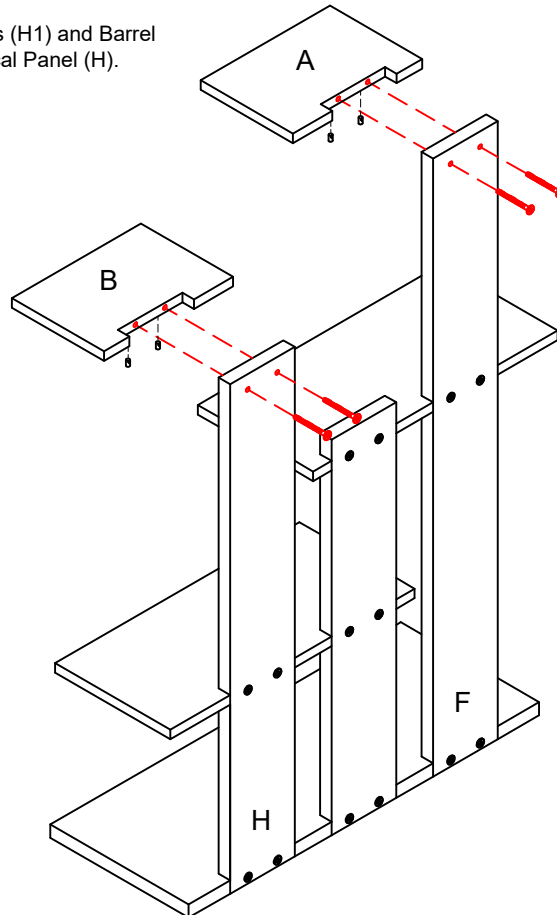
2. Attach Shelf (D) to Vertical Panels (G, H) using Bolts (H1) and Barrel Nuts (H2).



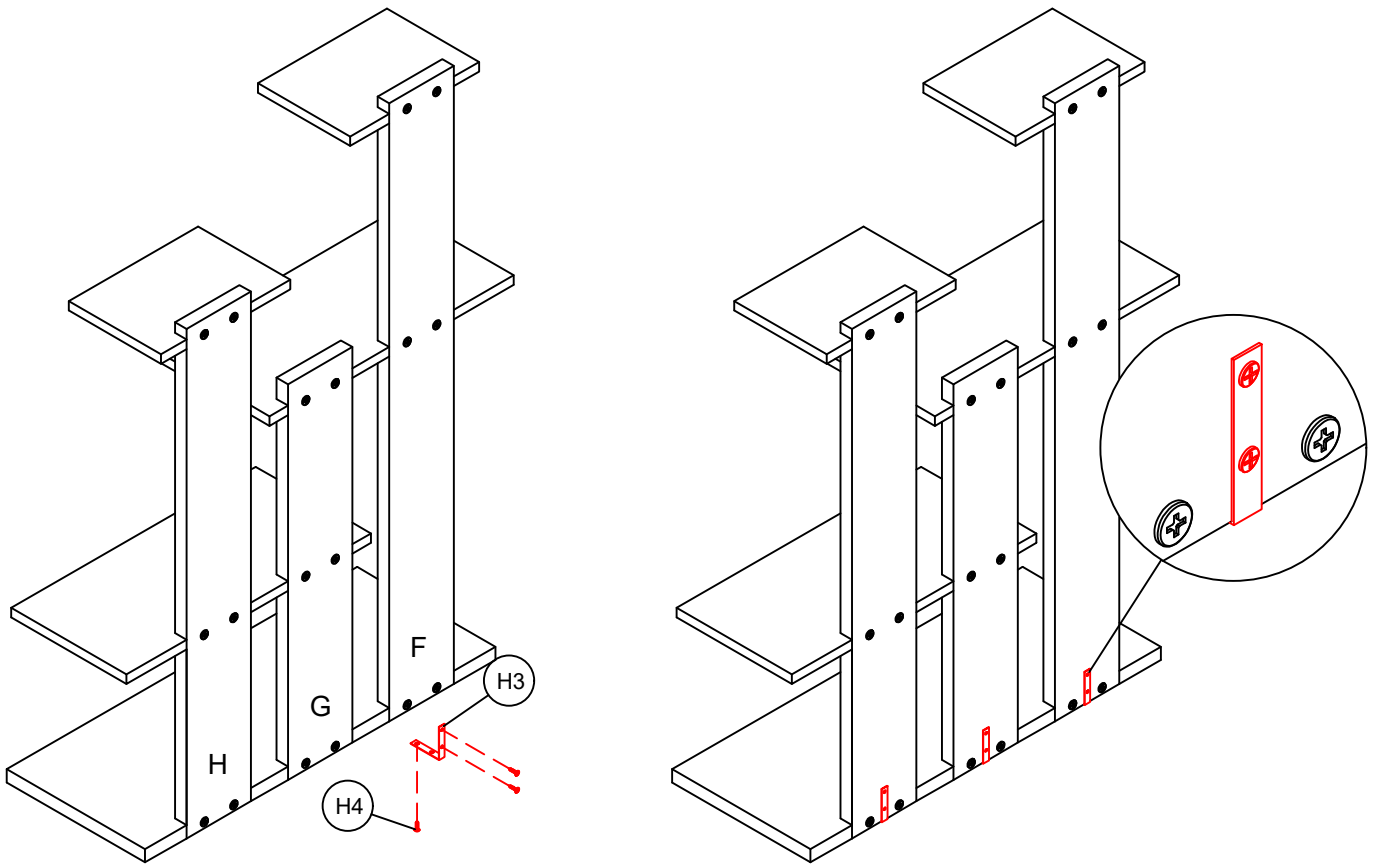
3. Attach Shelf (C) to Vertical Panels (F, G) using Bolts (H1) and Barrel Nuts (H2).



4. Attach 1 Top Panel (A) to Vertical Panel (F) using Bolts (H1) and Barrel Nuts (H2). Repeat the step to attach Top Panel (B) to Vertical Panel (H).



5. Secure vertical panels and the bottom panel with Angle Brackets (H3) using Wood Screw (H4) as shown below.



Scan QR code to visit
the product page:



If you have any questions regarding our products, please visit us at www.displays2go.com or contact D2G customer service 844-221-3388.