

ASSEMBLY INSTRUCTIONS

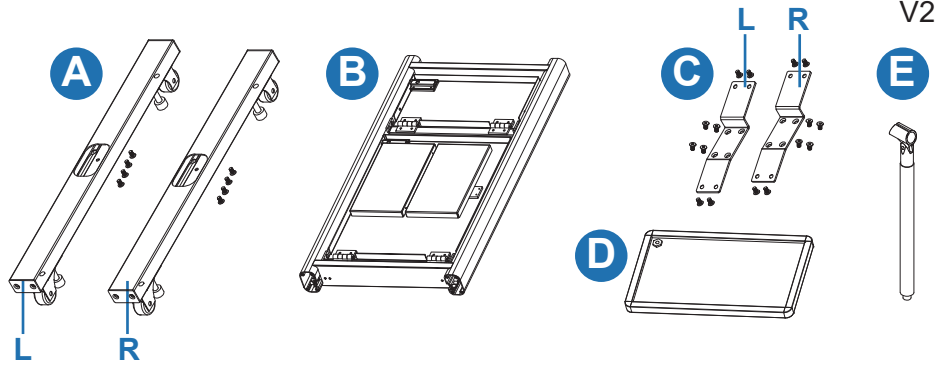
LCTN02 - ILLUMINATED LECTERN WITH FOOT STEPPER

Parts List:

A	Tube Base -----	2
B	Frame -----	1
C	Bracket (R&L) -----	2
D	Counter Top -----	1
E	Microphone Stand -----	1

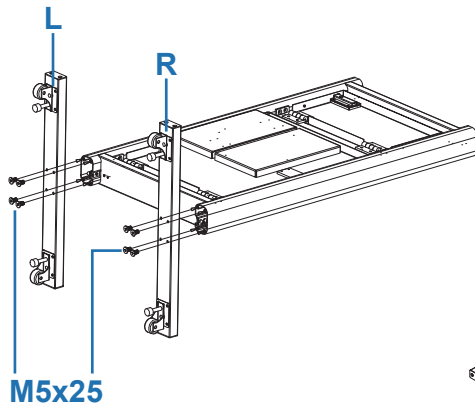
Hardware:

M5x12 Screw -----	8
M5x20 Screw -----	8
M5x25 Pan-head Screw --	8

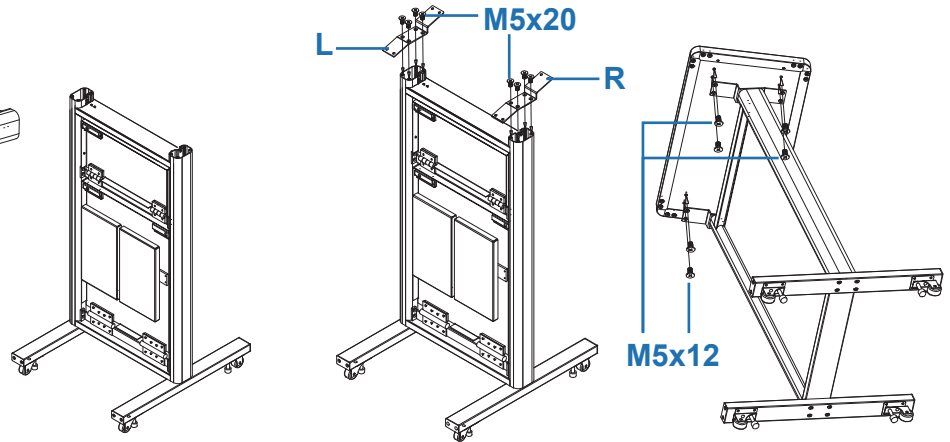


Assembly:

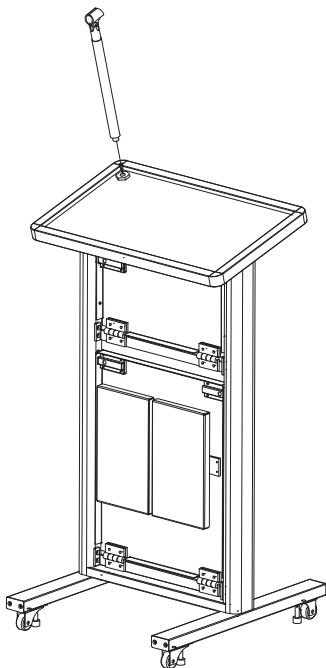
1. Lay the frame on a flat surface, insert the bottom part of the frame into the cutouts on the tube bases, and secure them by inserting (8) M5x25 screws from the bottom.



2. Carefully lift up the lectern body to its standing position. Attach brackets to the top and fix them with (8) M5x20 screws as shown below. Place the countertop on the bracket and align the holes. Secure the countertop with (8) M5x12 screws.

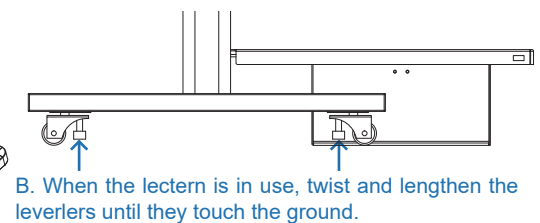


3. Rotate the microphone stand into the hole on the top left side of the counter top.

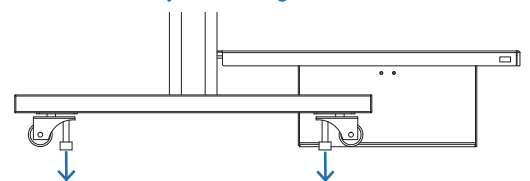


4. To use the shelf, press the release button under the shelf to release the latch. To use the stepper, hold the bottom and release the latches on both sides. Slowly lower the stepper down to the ground. After use, flip up the shelf/stepper and securely lock it to the frame.

A. Before moving the lectern, fold up the stepper and twist to shorten the levelers at the bottom.



B. When the lectern is in use, twist and lengthen the leverlers until they touch the ground.



Scan QR code to visit the product page:

