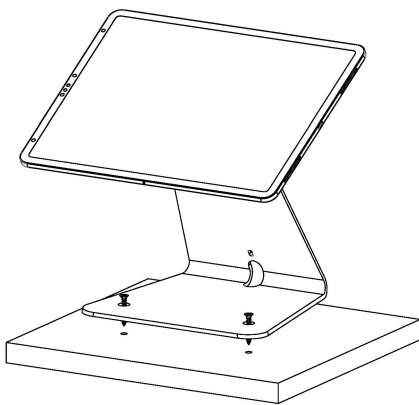
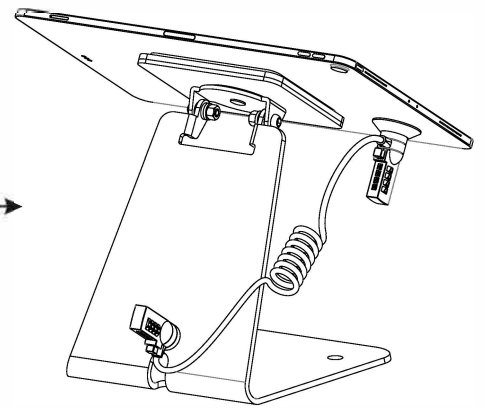
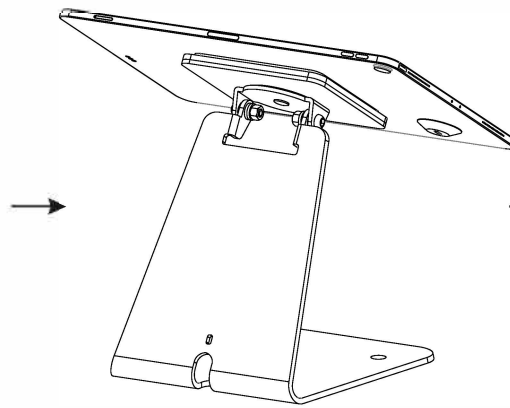
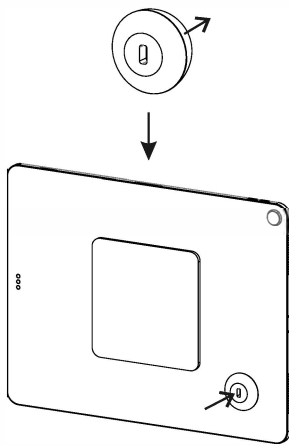
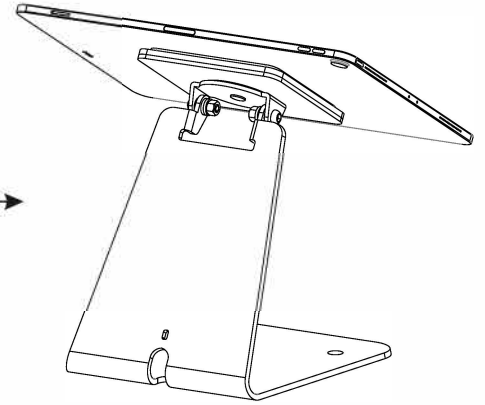
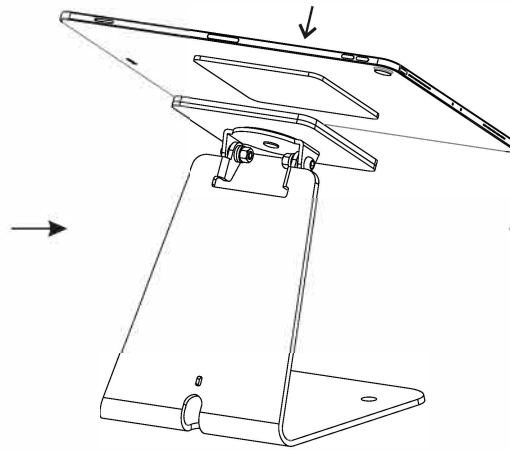
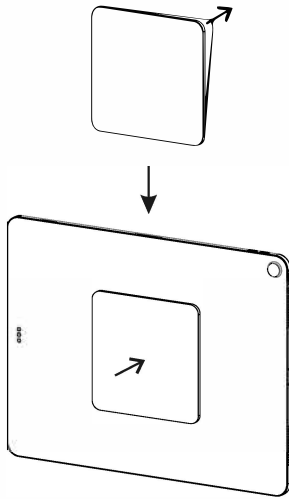
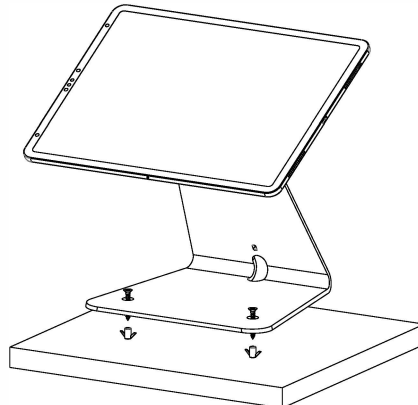




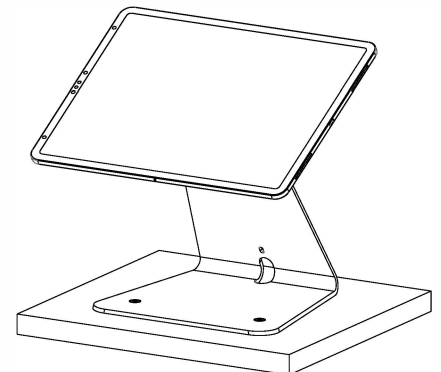
Magnetic Tablet Counter



Not using anchors



Using anchors



If you have any questions regarding our products, please visit us at www.displays2go.com or contact D2G customer service 844-221-3388.