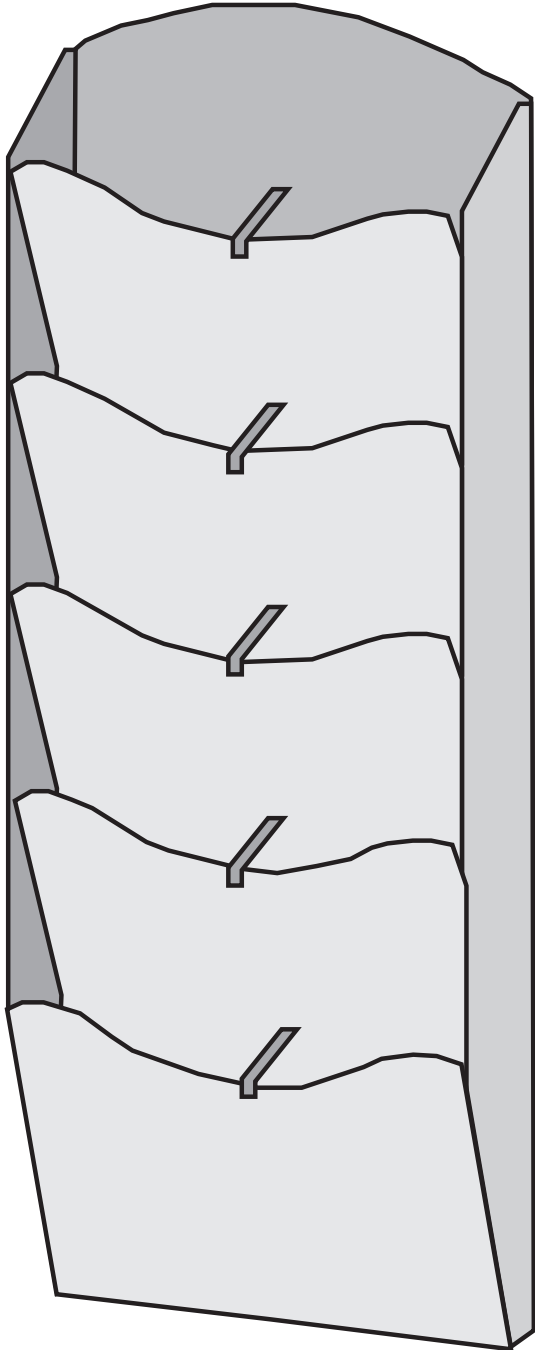




**DISPLAYS2GO**  
CONNECTING PEOPLE & BRANDS WITH THE WORLD



# MESH LITERATURE HOLDER

**User Manual**

SKUs: MSHWL Series

# PARTS LIST

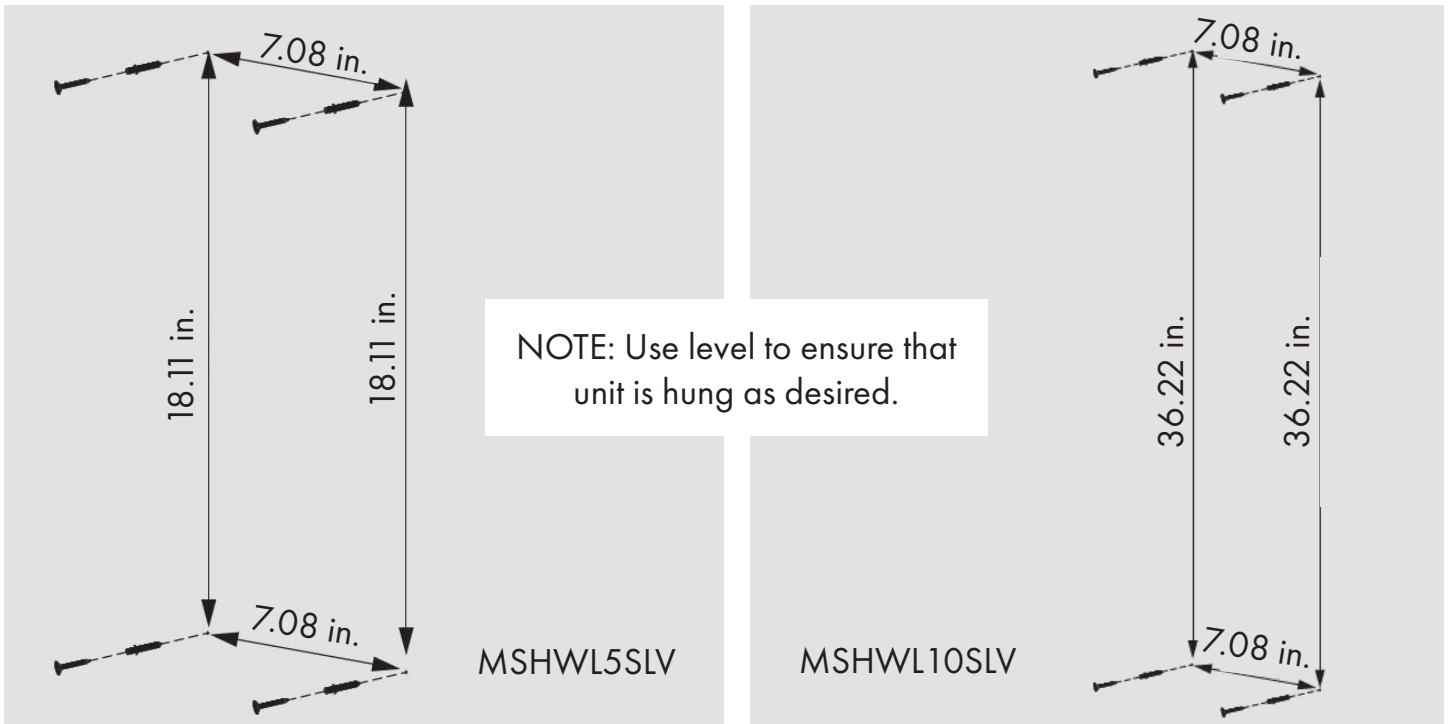


Scan QR code  
to visit product  
page

PART	QUANTITY
A: Literature Holder.....	1
B: Drywall Screws.....	4

TOOLS REQUIRED:  
Drill or Phillips Head Screwdriver  
Level

NOTE: Size may vary depending on model purchased.

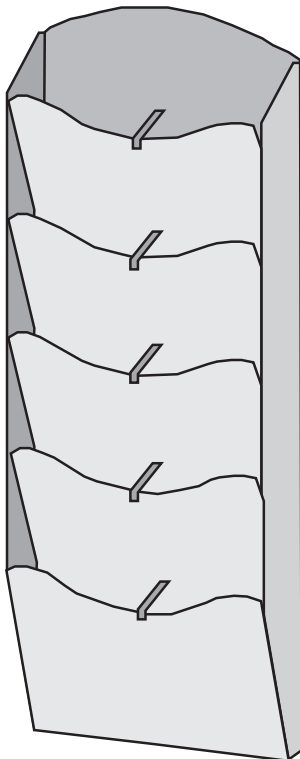
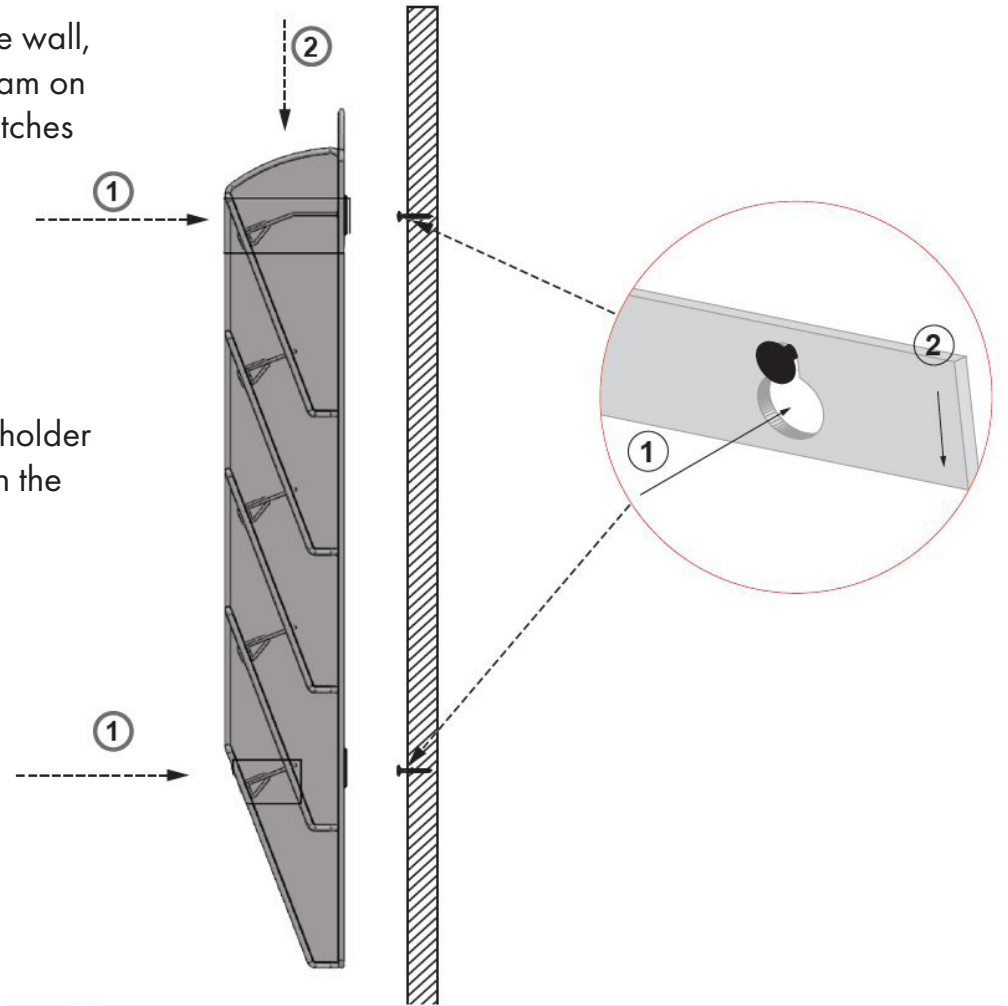


1a. Measure and mark wall at desired location by using the illustration above or by holding unit against the wall at desired height and marking wall through the screw holes.

If you have any questions regarding our products, please visit us at [www.displays2go.com](http://www.displays2go.com) or contact Displays2go customer service at 844-221-3388.

1b. Then, drill screws into the wall, as shown. If using the diagram on Page 2, use model that matches your model's size.

2. Carefully lift up literature holder and then lower to hang on the screws, as shown.



*Enjoy your new literature holder!*

CONTACT INFORMATION:  
[www.displays2go.com](http://www.displays2go.com)  
PHONE: 844-221-3388