



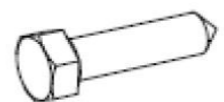





PRIVACY DIVIDER ASSEMBLY INSTRUCTIONS



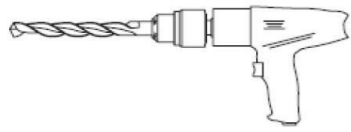
SKU: FGOPDGRY

A	Screen		350x180cm	x1
B	Ground fasten bar		350x180cm	x1
C	Plugs		M8 x 40mm	x4
C1	Plugs		M10 x 50mm	x4
D	Screw		M6 x 50mm	x4
E	washer		M6	x4
F	screw		M8 x 70mm	x4

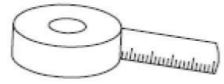
If you have any questions regarding our products, please visit us at www.displays2go.com or contact D2G customer service at 844-221-3388.

G	washer		M8	x4
---	--------	--	----	----

The following tools are required for assembly:



Drill with stone drill 10mm



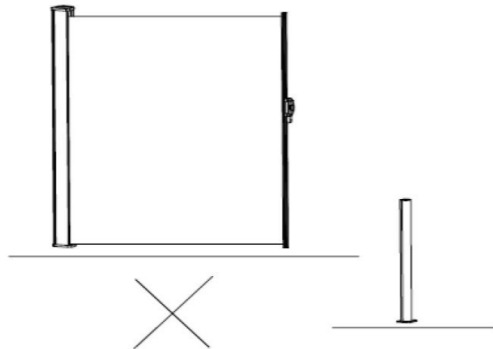
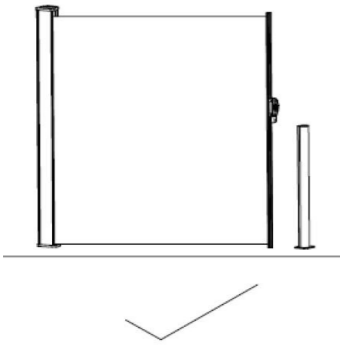
Measuring tape with at least 400 cm Length



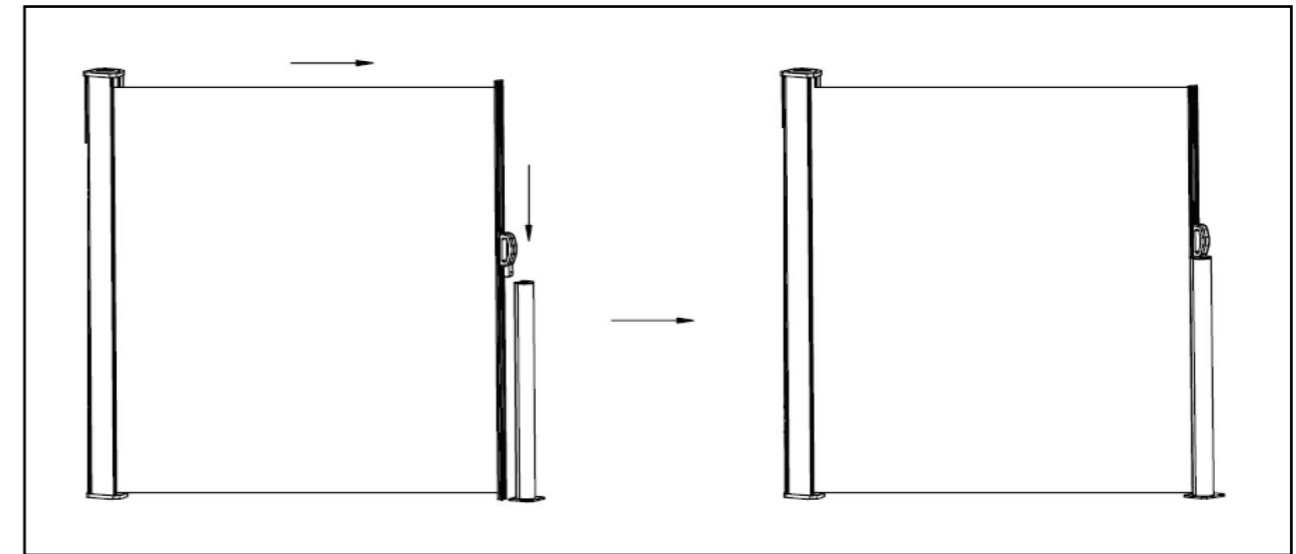
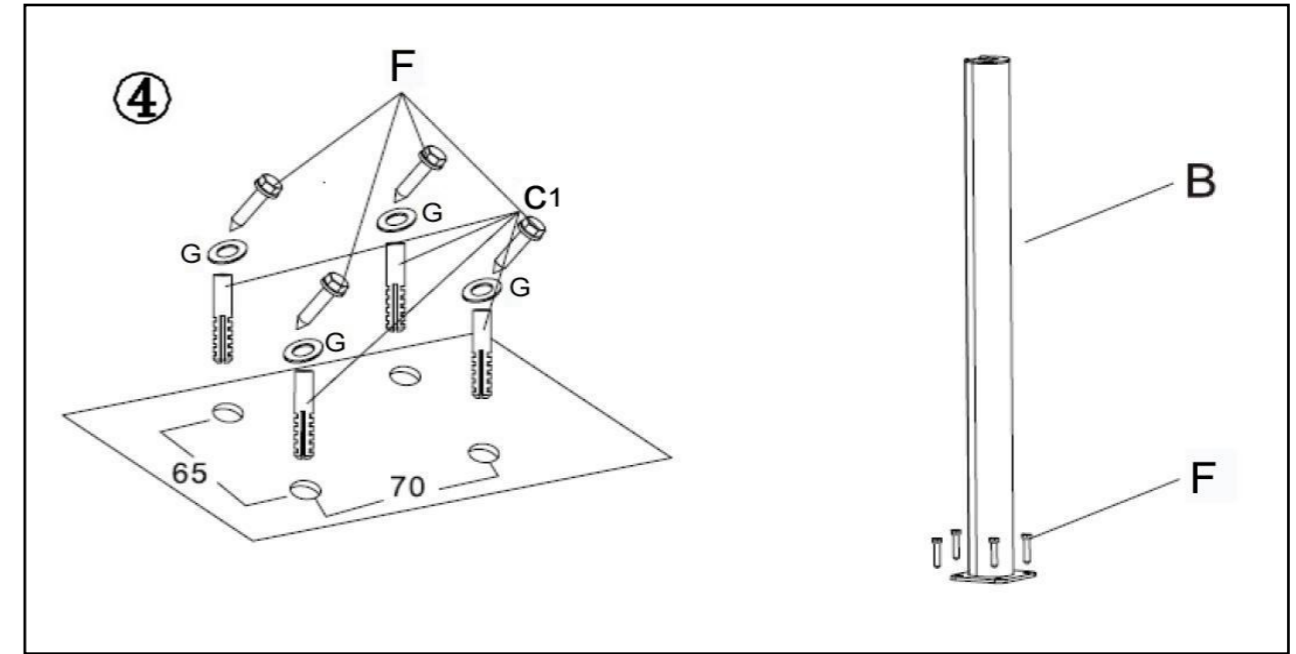
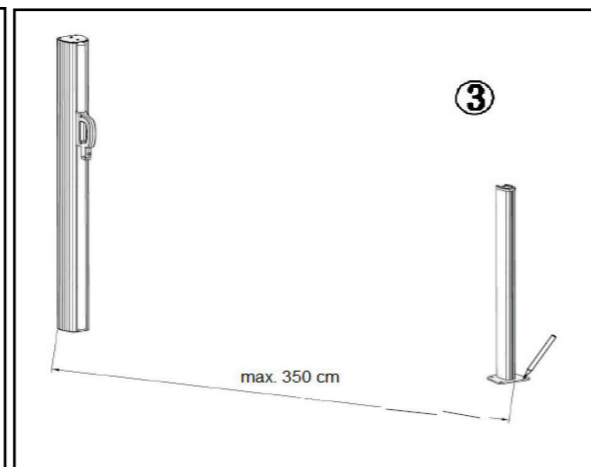
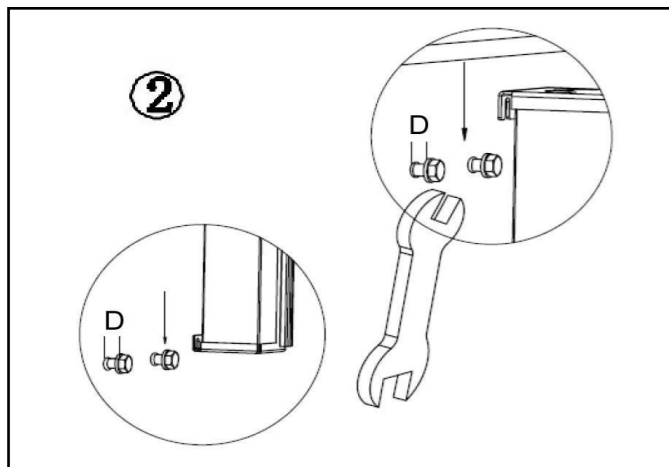
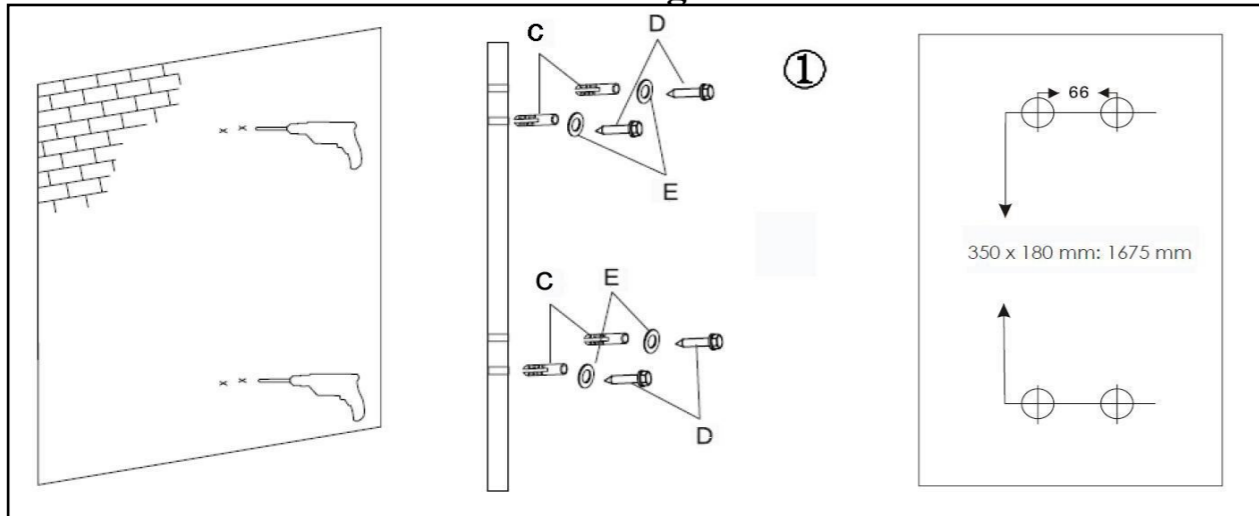
Wrench



Phillips Head screwdriver



Installation of the side awning



Scan QR code to visit product page