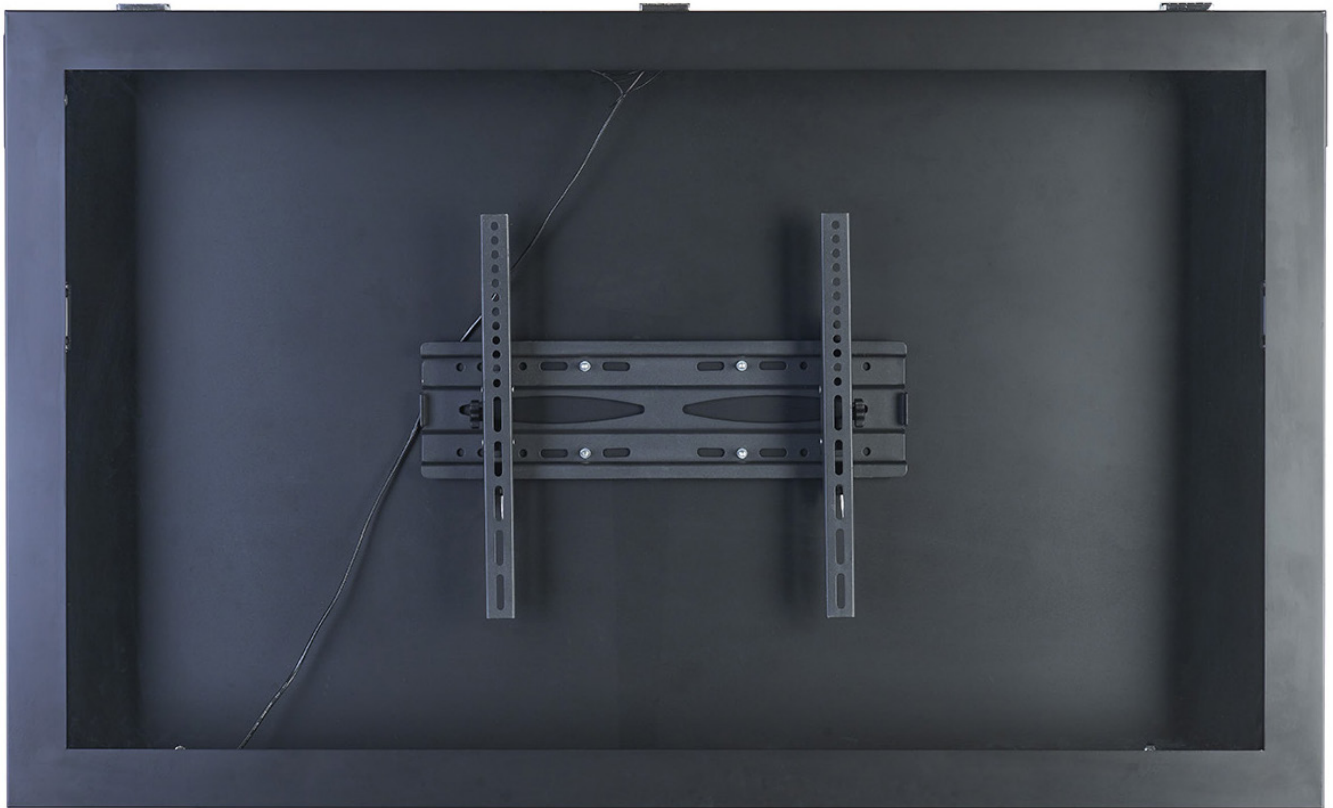




DISPLAYS2GO
CONNECTING PEOPLE & BRANDS WITH THE WORLD



SKUs: ENCLTV5055, ENCLTV5765

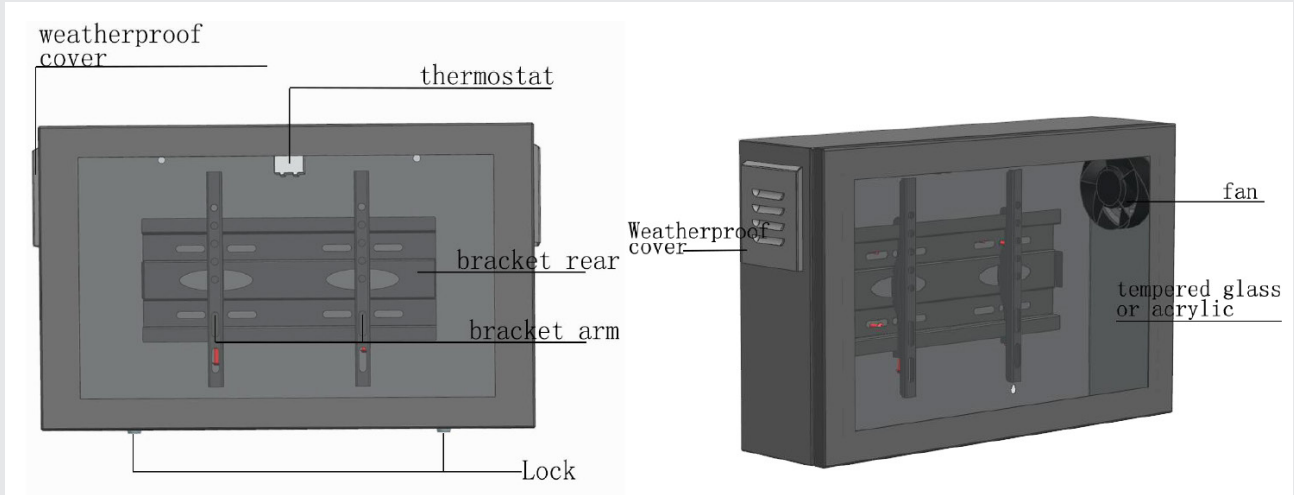
OUTDOOR PROTECTIVE ENCLOSURE

User Manual

PARTS LIST



Scan QR code
to visit product
page



PART

QUANTITY

A: Enclosure*	1
B: Tempered Glass*	1
C: Hydraulic Rod*	2
D: Fan*	2
E: Thermostat*	1
F: Tilt Bracket*	1
G: Hardware (at right)	1
H: Key	2
I: Rubber Gaskets	2
J: Rod*	2

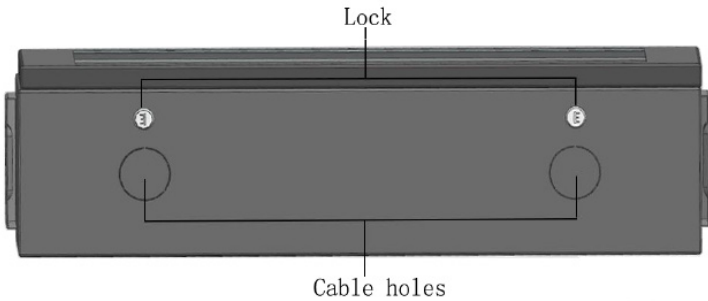
*: Arrives assembled

NOTE: 2-3 person assembly

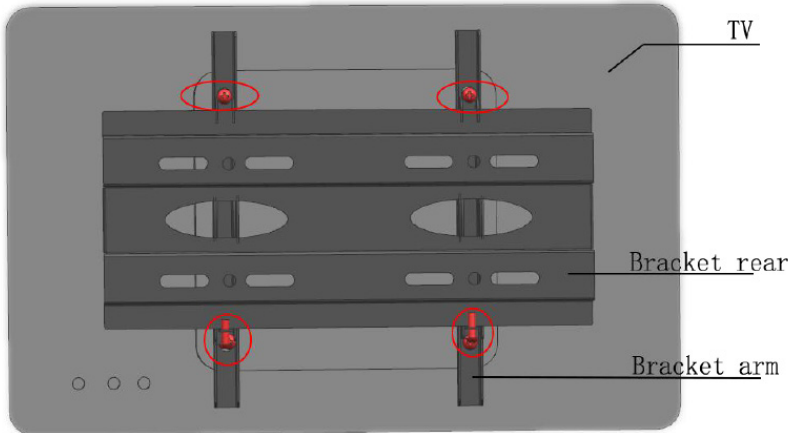
**Tools Required: Drill; Phillips
Head Screwdriver**



If you have any questions regarding our products, please visit us at www.displays2go.com or contact Displays2go customer service at 844-221-3388.



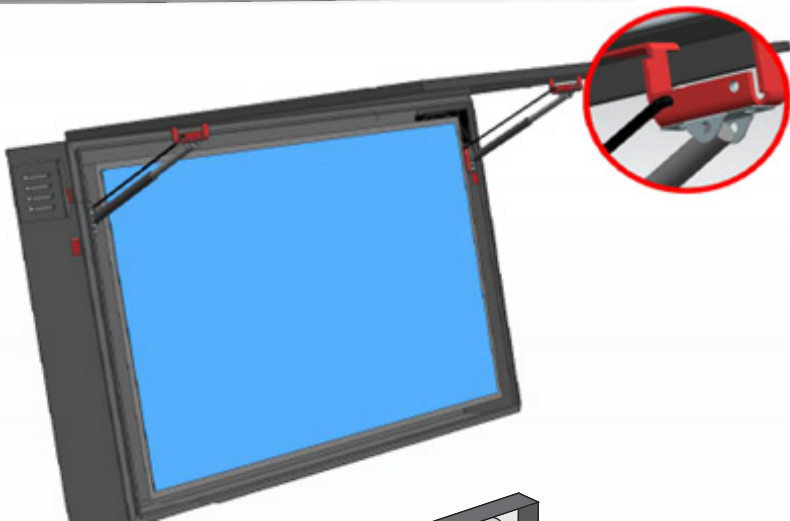
1. Remove one of the bottom covers to pass cables for TV and fan through. Insert rubber gasket into hole.
NOTE: Wires for fan come attached to fan.
2. Remove bracket from the TV enclosure by unscrewing pre-attached bolts.



ATTACH BRACKET TO TV

3. Mount the the bracket arms to the back of the TV, using the M4/M6 screws.
4. Mount bracket to the arms by tightening all screws to attach.

5. To hold unit door up, insert metal rod into hole. This is located along the hydraulic rods.



MOUNT ENCLOSURE TO WALL

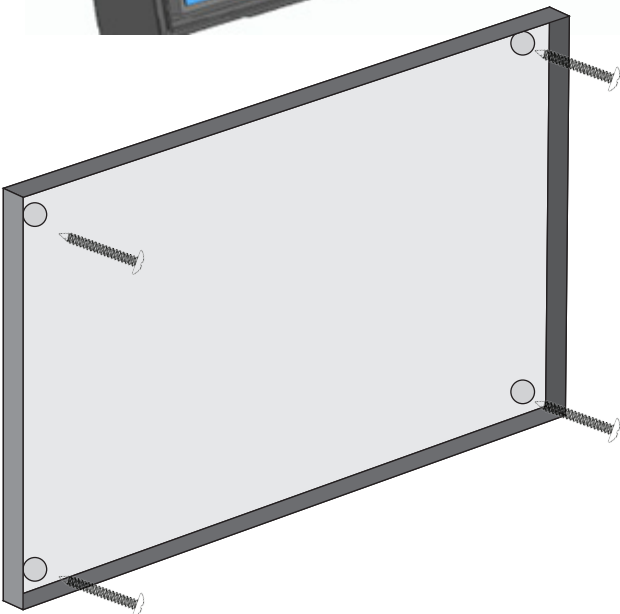
6. Drill four 8mm holes into desired wall, being careful to measure for appropriate dimensions and level installation.

7. Put expansion screw caps into the holes.

8. Two people should hold the unit against the wall, while a third inserts and tightens expansion screws.

NOTE: Enclosure door may need to be held open while installing.

NOTE: Additional hard wire installation may be required by a licensed electrician. User may choose to utilize an outdoor rated power strip.



MOUNT TV TO ENCLOSURE

9. Two people lift the TV and carefully insert into the enclosure.
10. Fit bracket arms attached to the back of the TV onto the mounting bracket, which comes pre-installed inside the enclosure.
11. Reach under TV to tighten screw on bottom of the bracket, which will hold unit in place.
12. Slide cable through hole at the bottom of the enclosure.

INSTALLATION NOTES

TROUBLESHOOTING

If unit's fans do not work, check for the following:

- No Power | Solution: Connect to power supply
- Temperature Too Hot/Cold | Solution: Set thermostat to proper temperature (~77 °F)

ENVIRONMENT

- Wall should be flat and able to bear the weight of the unit.
- Keep away from heat sources and direct sunlight.
- Fans on unit can be turned on to help circulate air. Power switch is on inside top of unit.

SPECIFICATIONS

Voltage	110/220 V
Rated Power	60W
Working Temperature	14 - 122F
Product Weight	ENCLTV5055: 88.2 lbs ENCLTV5765: 124.8 lbs
Dimensions	ENCLTV5055: 53.9" (L) x 32" (W) x 6.9" (D) ENCLTV5765: 72.3" (L) x 42.1" (W) x 6.9" (D)
Power Cords (Fan)	UL Listed



*Enjoy your
new protective
enclosure!*

CONTACT INFORMATION:

www.displays2go.com

PHONE: 844-221-3388